



BOSCH

Impact Wrench

GDS 14,4 V-LI | 3 601 JA1 T81

Table of Content

Spare parts list.....	2
Illustration - Type.....	3

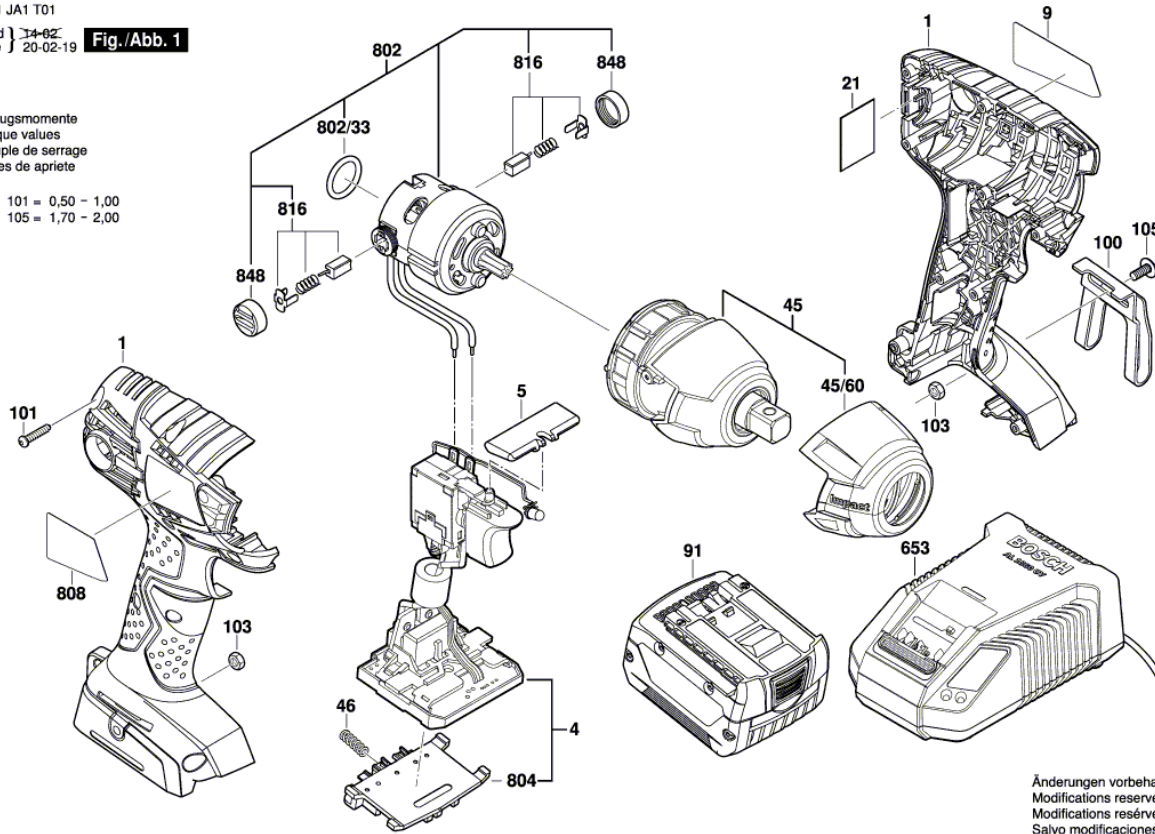
Spare parts list

Item	Part Number	Description
1	2 609 101 136	Housing
4	1 607 233 479	Electronics Module
5	2 609 100 698	Button
9	2 609 132 049	Manufacturer's nameplate GDS 14,4V-LI
21	2 609 111 485	Wire Mesh
45	2 609 199 696	Gear Box
45/60	2 609 170 128	Cap
46	1 609 280 477	Compression Spring
91	1 607 A35 0B9	Battery Pack EU GBA 14.4V 2.0Ah Li SCM
91	2 607 336 813	Battery Pack BBS-MR XL-PACK 14,4V, LI, 4,0 Ah
100	2 609 110 833	Clip
101	2 609 110 201	Torx Flat-Head Screw 3x16
103	2 609 110 835	Nut
105	2 609 110 834	Screw
653	2 607 225 937	Charger CN GAL 1880 CV 220V/14,4-18V
802	2 609 199 275	DC motor 14,4V
802/33	2 609 170 104	O-Ring
804	1 609 280 474	Contact retainer
808	2 609 132 579	Nameplate
816	2 609 199 169	Carbon-Brush Set
848	2 609 199 190	Brush-Cover

Illustration - Type - E

3 601 JA1 T01
 Stand } 2019
 Issue } 20-02-19 **Fig./Abb. 1**

Anzugsmomente
 Torque values
 Couple de serrage
 Pares de apriete
 Pos
 101 = 0,50 - 1,00
 105 = 1,70 - 2,00



Änderungen vorbehalten
 Modifications reserved
 Modifications réservées
 Salvo modificaciones