

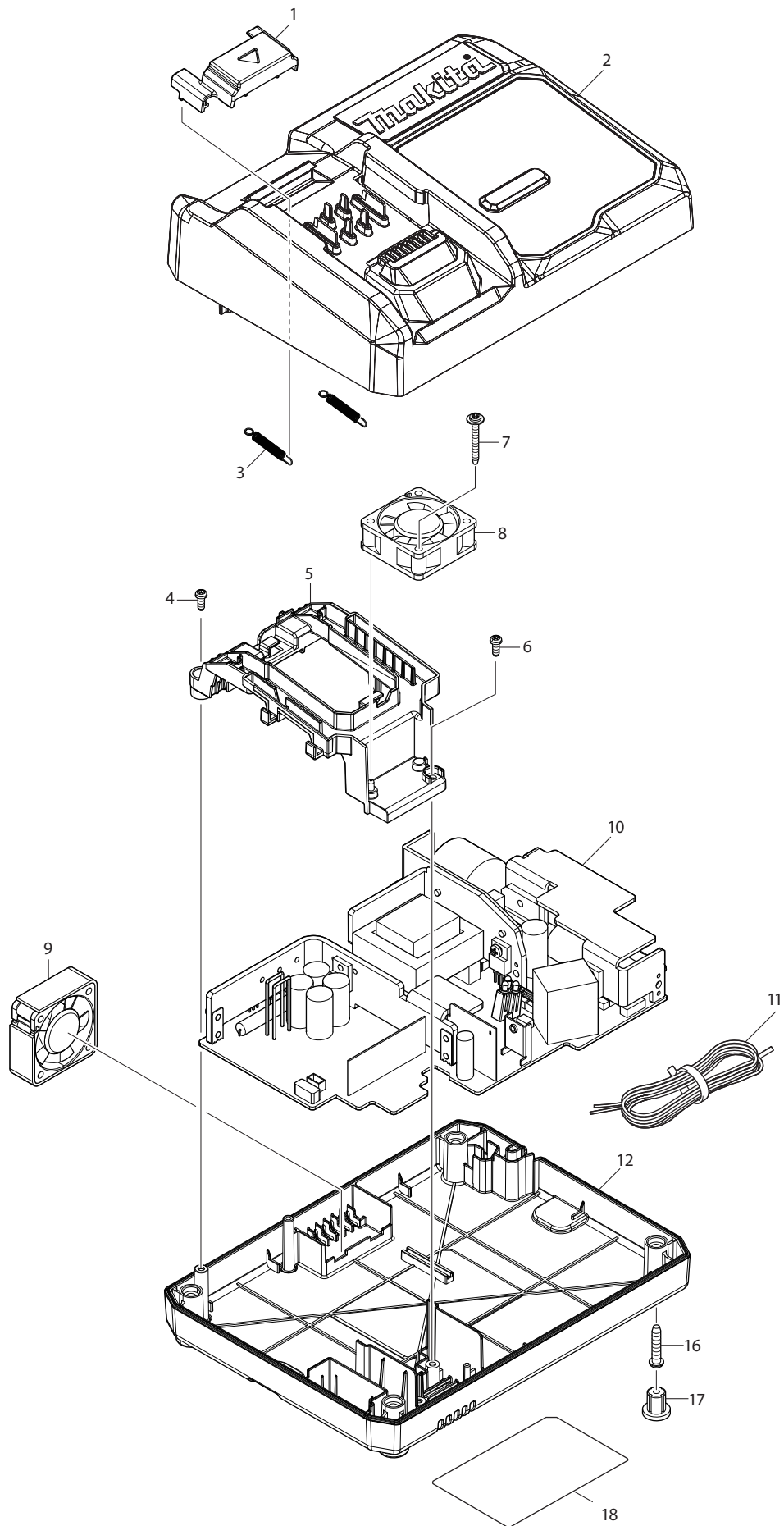
Model GDT01Z Parts List

A = Standard Equipment

O = Circuit Diagram

Item#	Part#	Description	Q'ty Unit
001	183P56-5	HOUSING SET	1 SET
	C10 263005-3	RUBBER PIN 6	2 PC.
	C20 252126-6	HEX. LOCKING NUT M4-7	2 PC.
001	D10	INC. 41	
002	266130-9	TAPPING SCREW BIND PT 3X16	8 PC.
003	632L84-8	SWITCH UNIT	1 PC.
004	455053-8	F/R CHANGE LEVER	1 PC.
005	651442-7	SWITCH C3JR-1A-1	1 PC.
006	231952-6	RING SPRING 12	1 PC.
007	267101-9	FLAT WASHER 14	1 PC.
008	232592-3	COMPRESSION SPRING 14	1 PC.
009	327530-9	BIT SLEEVE	1 PC.
010	136171-8	HAMMER CASE COVER ASSY	1 PC.
	C10 422269-0	BUMPER	1 PC.
012	140R47-1	HAMMER CASE COMPLETE	1 PC.
	C10 210177-5	BALL BEARING 68/14LLU	2 PC.
	C20 267063-1	FLAT WASHER 18	1 PC.
	C30 962113-4	RETAINING RING R-24	1 PC.
013	261160-5	NYLON WASHER 30	1 PC.
014	232593-1	SPRING 12	1 PC.
015	259075-8	RETAINING RING(EXT) WR-14	1 PC.
017	216001-0	STEEL BALL 3.5	2 PC.
018	213118-0	O RING 12	2 PC.
019	136203-1	ANVIL M ASS'Y	1 PC.
	D10	INC. 14,18	
020	327525-2	HAMMER	1 PC.
021	216001-0	STEEL BALL 3.5	25 PC.
022	267342-7	FLAT WASHER 26	1 PC.
023	232591-5	COMPRESSION SPRING 25	1 PC.
024	216013-3	STEEL BALL 6	2 PC.
025	227915-8	SPUR GEAR 24	3 PC.
026	327524-4	SPINDLE	1 PC.
027	268311-1	PIN 5	3 PC.
028	267194-6	FLAT WASHER 15	1 PC.
029	226961-8	INTERNAL GEAR 56	1 PC.
030	213892-0	O-RING 43	1 PC.
031	140R48-9	BEARING BOX COMPLETE	1 PC.
032	266490-9	TAPPING SCREW PT 2X6	3 PC.
033	652069-6	FLAT HEAD SCREW M3X6	3 PC.
034	620B96-3	CONTROLLER	1 PC.
035	629464-5	STATOR	1 PC.
036	619605-1	ROTOR	1 PC.
037	412339-3	REAR COVER	1 PC.
038	266130-9	TAPPING SCREW BIND PT 3X16	2 PC.
039	620B97-1	LED CIRCUIT	1 PC.
040	140R54-4	SWITCH PLATE COMPLETE	1 PC.
	C10 8011F4-1	SWITCH LABEL	1 PC.
041	183P56-5	HOUSING SET	1 SET
	C10 263005-3	RUBBER PIN 6	2 PC.

C20	252126-6	HEX. LOCKING NUT M4-7	2 PC.
041	D10	INC. 1	
042	8007R2-2	XGT LOGO LABEL	1 PC.
043	632P49-4	TERMINAL UNIT	1 PC.
045	856V14-7	GDT01 SERIAL NO. LABEL	1 PC.
046	856V07-4	GDT01 NAME PLATE	1 PC.
047	818S23-6	CAUTION LABEL	1 PC.
A01	266622-8	+ TRUSS HEAD SCREW M4X12	1 PC.
A02	346449-3	HOOK	1 PC.



Model DC40RA Parts List

A = Standard Equipment

O = Circuit Diagram

Item#	Part#	Description	Q'ty	Unit
001	459475-4	TERMINAL COVER	1	PC.
002	140N46-9	CHARGER CASE COMPLETE	1	PC.
	C10 459476-2	LENS	1	PC.
	C20 819V01-7	CHARGING CONDITION LABEL	1	PC.
003	232565-6	TENSION SPRING 4	2	PC.
004	265B02-7	TAPPING SCREW 3X8	1	PC.
005	459474-6	TERMINAL BASE	1	PC.
006	265B02-7	TAPPING SCREW 3X8	1	PC.
007	265A61-5	TAPPING SCREW FLANGE 3X25	1	PC.
008	632P24-0	FAN 40	1	PC.
009	632P25-8	FAN 40	1	PC.
010	620B41-8	CHARGING CIRCUIT	1	PC.
010	C11 647075-4	VARISTOR	1	PC.
	C20 652089-0	FUSE	1	PC.
011	667982-5	VINYL CORD #18-2-2.0	1	PC.
012	459846-5	CHARGER CASE COVER	1	PC.
016	265B01-9	TAPPING SCREW PT 4X20	4	PC.
017	286255-3	CAP 13	4	PC.
018	857F48-7	DC40RA NAME PLATE	1	PC.
E01	819V02-5	CAUTION LABEL	1	PC.