



**BOSCH**

# Impact Wrench

GDX 18 V-LI | 3 601 JB8 180

---

## Table of Content

Spare parts list.....	2
Illustration - Type.....	3

## Spare parts list

Item	Part Number	Description
1	2 609 101 136	Housing
4	1 607 233 480	Electronics Module
5	2 609 100 698	Button
9	2 609 133 527	Manufacturer's nameplate      GDX 18V-LI
21	2 609 111 485	Wire Mesh
45	2 609 199 443	Gear Box
45/46	2 609 170 157	Rubber Ring
45/47	2 609 111 262	Metal Ring
45/48	2 609 170 185	Sleeve
45/60	2 609 170 128	Cap
46	1 609 280 477	Compression Spring
91	1 607 A35 0M0	Battery Pack      GBA 18V 4.0Ah
100	2 609 110 956	Clip
101	2 609 110 201	Torx Flat-Head Screw      3x16
103	2 609 110 835	Nut
105	2 609 110 834	Screw
109	2 609 110 342	Screwdriver Blade
653	2 607 225 937	Charger      CN GAL 1880 CV 220V/14,4-18V
802	2 609 199 508	DC motor      18V
802/33	2 609 170 104	O-Ring
804	1 609 280 478	Contact retainer
808	2 609 133 508	Nameplate
816	2 609 199 169	Carbon-Brush Set
848	2 609 199 190	Brush-Cover
858	2 609 100 301	Strap

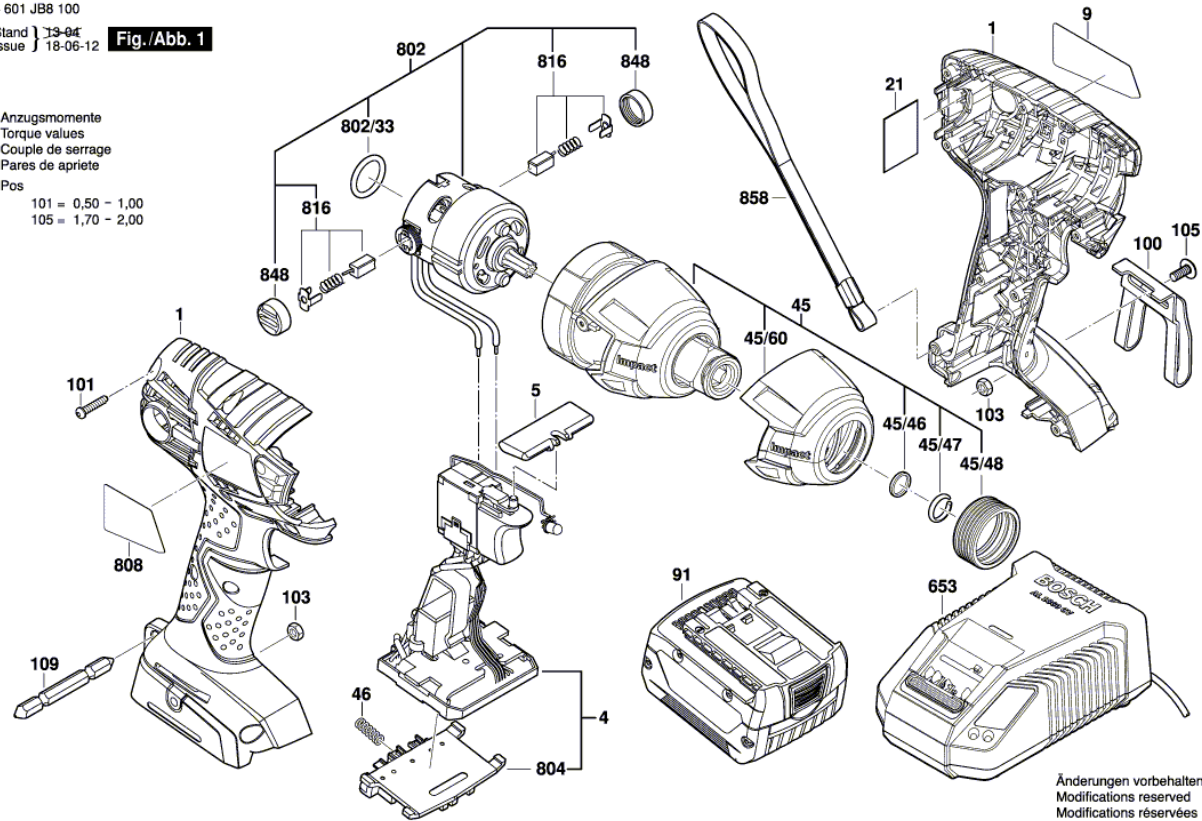
Illustration - Type - E

3 601 JB8 100  
 Stand } 13-04  
 Issue } 18-06-12

Fig./Abb. 1

Anzugsmomente  
 Torque values  
 Couple de serrage  
 Pares de apriete

Pos  
 101 = 0,50 - 1,00  
 105 = 1,70 - 2,00



Änderungen vorbehalten  
 Modifications reserved  
 Modifications réservées  
 Salvo modificaciones