

Random orbital sander - 3 601 B57 010 - GET65-5

www.powertools-aftersaleservice.com



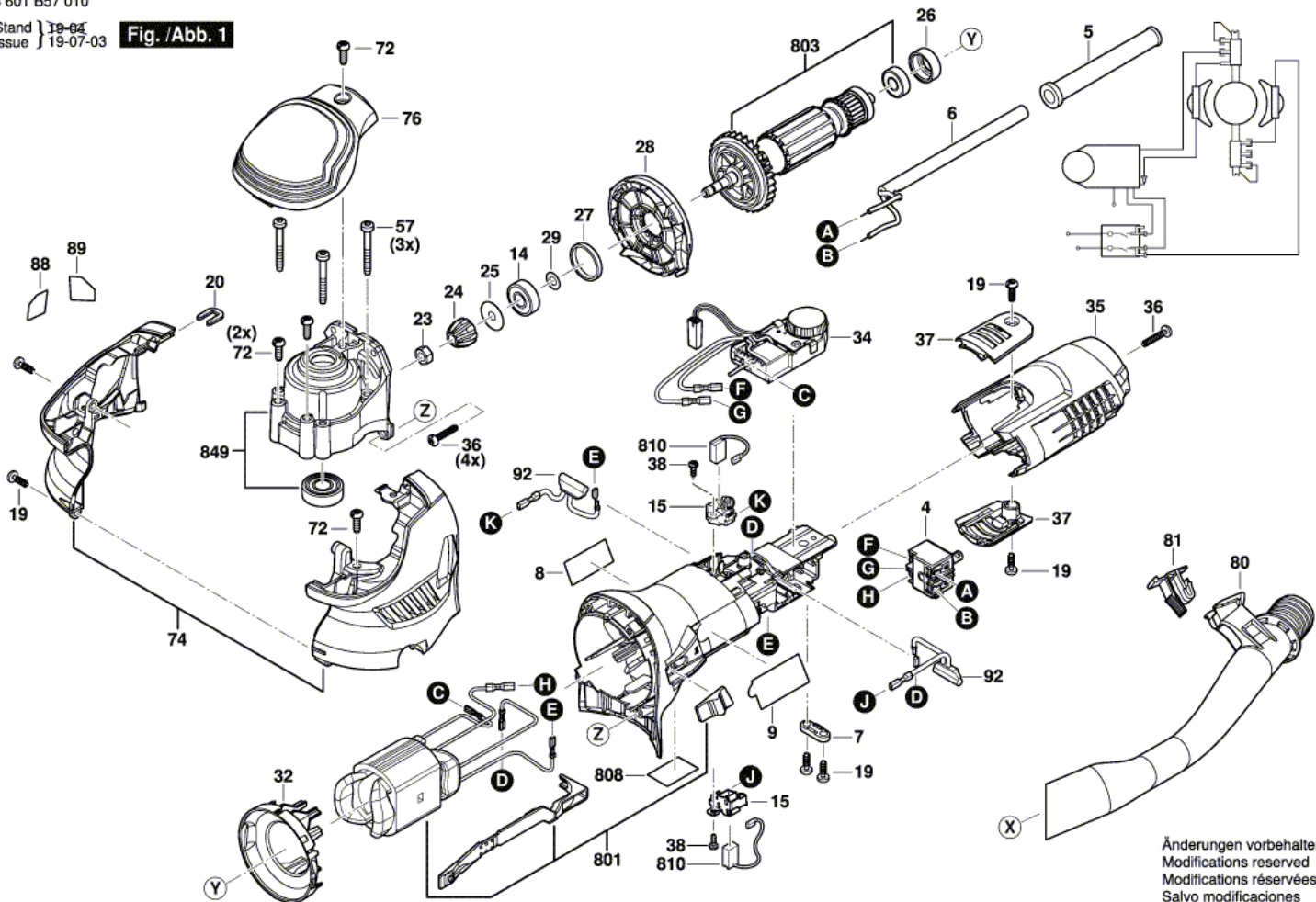
BOSCH

Item	Part Number	Description	Illustration	Price	Quantity	Price Group
4	2 607 200 700	Switch	1	-,-	1	23
5	1 604 460 276	Power supply cord USA/CDN 4,15m 2 x 082mm SJ 18/2	1	-,-	1	28
6	2 600 703 013	Grommet Ø7,6-Ø8,2x95 MM	1	-,-	1	13
7	2 601 035 004	Cable Clip	1	-,-	1	12
8	1 601 11C 2JW	Warning Plate	1	-,-	1	13
9	1 601 11C 2R9	Manufacturer's nameplate GET65-5	1	-,-	1	13
14	1 619 P13 103	groove ball bearing	1	-,-	1	14
15	2 604 337 120	Brush Holder	1	-,-	2	15
19	2 603 490 021	Torx Oval-Head Screw 4x12	1	-,-	6	10
20	2 609 004 706	Clip	1	-,-	1	10
23	2 603 300 003	Hex Nut M 6 LEFTHAND THREADS	1	-,-	1	11
24	2 609 110 149	Pinion	1	-,-	1	16
25	1 600 100 033	Cover Disc	1	-,-	1	13
26	1 600 A00 4Z5	Rubber Ring	1	-,-	1	10
27	1 600 206 025	Rubber Ring	1	-,-	1	12
28	2 606 610 147	Air Distributor	1	-,-	1	12
29	1 619 P00 987	Washer	1	-,-	1	10
32	1 619 P02 818	Air-Deflector Ring	1	-,-	1	11
34	1 607 233 5BR	Speed governor	1	-,-	1	38
35	2 605 132 083	Housing Cover	1	-,-	1	20
36	2 603 490 023	Torx Oval-Head Screw 4x20	1	-,-	5	10
37	1 619 P02 828	Brush-Cover	1	-,-	1	11
38	2 603 490 016	Torx Oval-Head Screw 3x8	1	-,-	2	11
42	2 600 101 131	Washer	2	-,-	1	10
54	2 600 210 061	O-Ring	2	-,-	1	11
55	1 600 A00 S5P	Shim 0,1 MM THICK	2	-,-	1	10
55	1 600 A00 S5R	Shim 0,2 MM THICK	2	-,-	1	10
55	1 600 A00 S5S	Shim 0,3 MM THICK	2	-,-	1	10
57	1 603 430 044	Screw	1	-,-	3	10
58	2 600 206 033	Friction Ring	2	-,-	1	17
60	1 600 A00 RD6	Special Screw	2	-,-	3	10
72	2 603 410 049	Thread-forming tap. Screw M4x12 MM	1	-,-	1	11
74	2 605 105 219	Housing Section	1	-,-	1	22

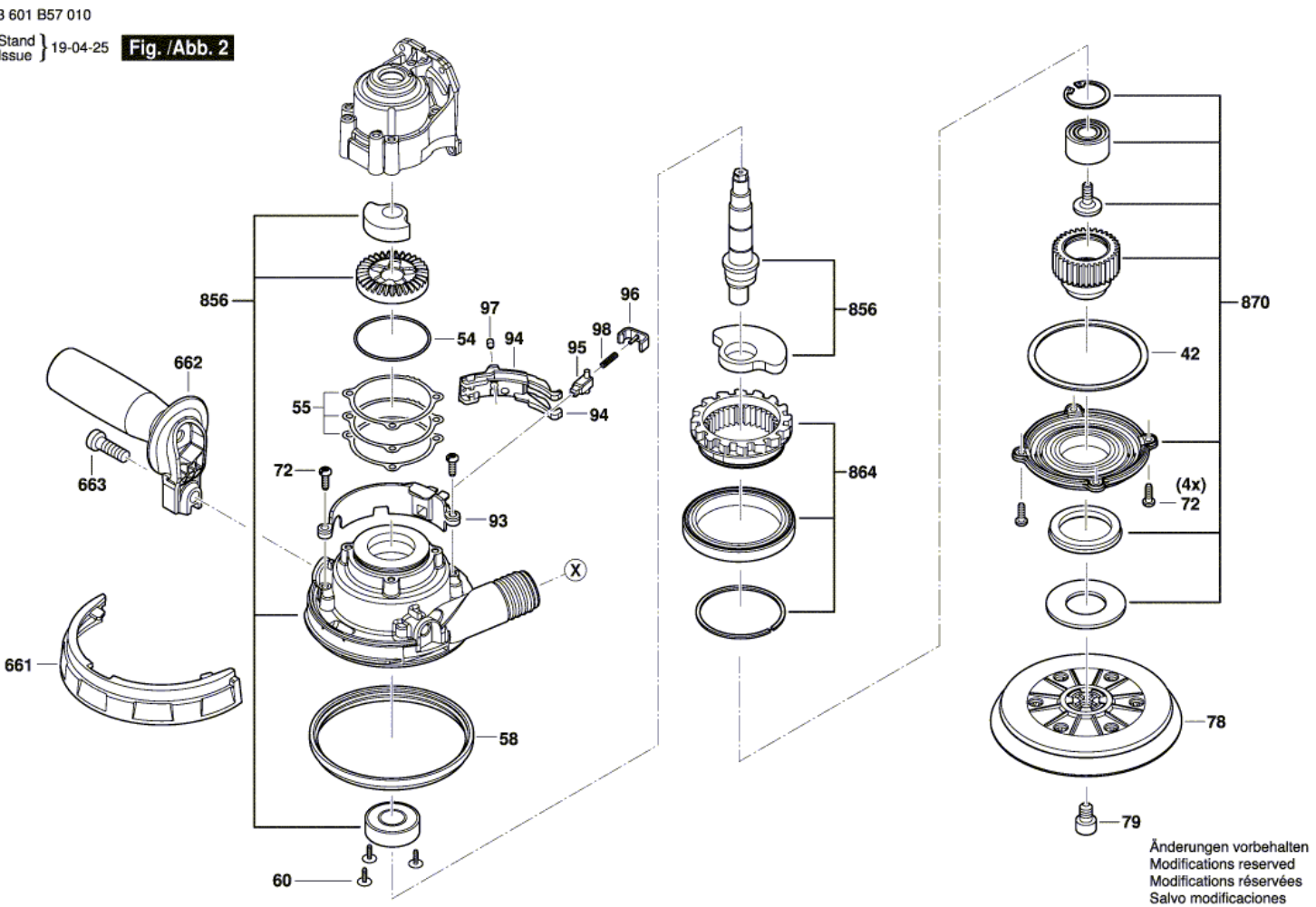
Item	Part Number	Description	Illustration	Price	Quantity	Price Group
76	2 602 026 214	Cap-Handle	1	-,-	1	18
78	2 608 614 078	Backing Pad Ø125	2	-,-	1	35
79	2 910 131 238	Hex Socket Head Cap Screw DIN 7984-M8x16-8.8	2	-,-	1	10
80	2 605 730 081	Suction Socket	1	-,-	1	31
81	2 602 033 901	Link Guide	1	-,-	1	10
88	1 601 11C 2K3	Sticker	1	-,-	1	13
89	1 601 11C 2K4	Sticker	1	-,-	1	13
92	2 604 465 116	Suppressor Box Entstörglied Box	1	-,-	2	18
93	2 602 033 022	Guide	2	-,-	1	13
94	2 601 990 060	Pusher	2	-,-	1	11
95	2 603 102 014	Detent Pin	2	-,-	1	16
96	2 605 132 082	Cover	2	-,-	1	10
97	2 600 590 006	Ratchet Cap	2	-,-	1	11
98	2 609 996 608	Compression Spring	2	-,-	1	10
661	2 605 191 327	Corner Protection	2	-,-	1	15
662	2 602 025 213	Auxiliary Handle	2	-,-	1	-
663	1 600 A01 5G7	Hex Socket Head Cap Screw	2	-,-	1	11
801	1 607 000 DD5	Housing Assembly	1	-,-	1	38
803	1 607 000 DD7	Armature assembly	1	-,-	1	39
808	1 601 11A 5V0	Nameplate	1	-,-	1	13
810	1 619 P02 870	Carbon-Brush Set	1	-,-	1	21
849	1 607 000 DC3	Housing Assembly	1	-,-	1	32
856	1 607 000 DD1	Suction Hood	2	-,-	1	43
864	1 607 000 DD2	Gear	2	-,-	1	33
870	1 607 000 DD3	Carrier	2	-,-	1	46

3 601 B57 010
 Stand } 19-04
 Issue } 19-07-03

Fig. /Abb. 1



Änderungen vorbehalten
 Modifications reserved
 Modifications réservées
 Salvo modificaciones



Information subject to change without further notice.