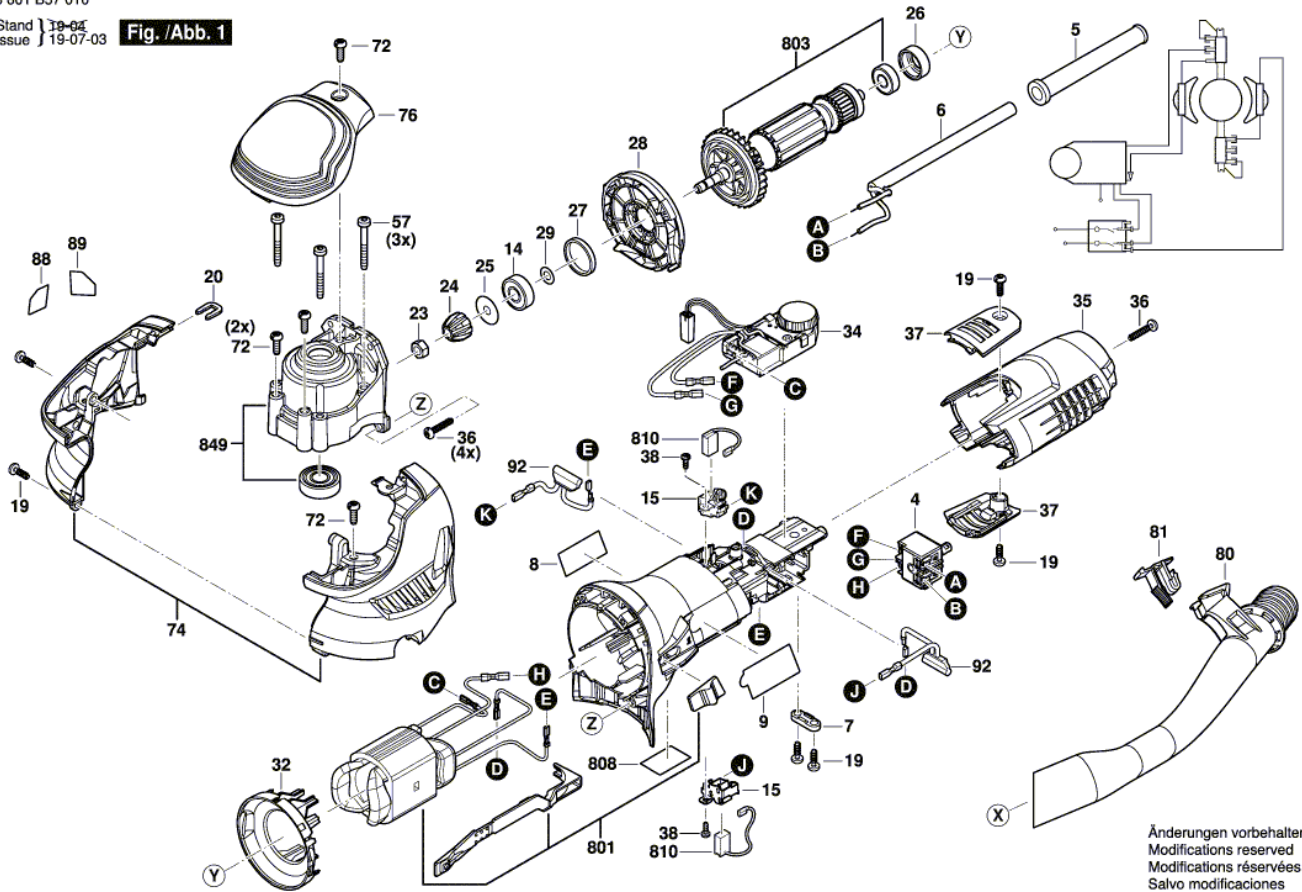




3 601 B57 010

Stand | 19-04
Issue | 19-07-03

Fig. /Abb. 1

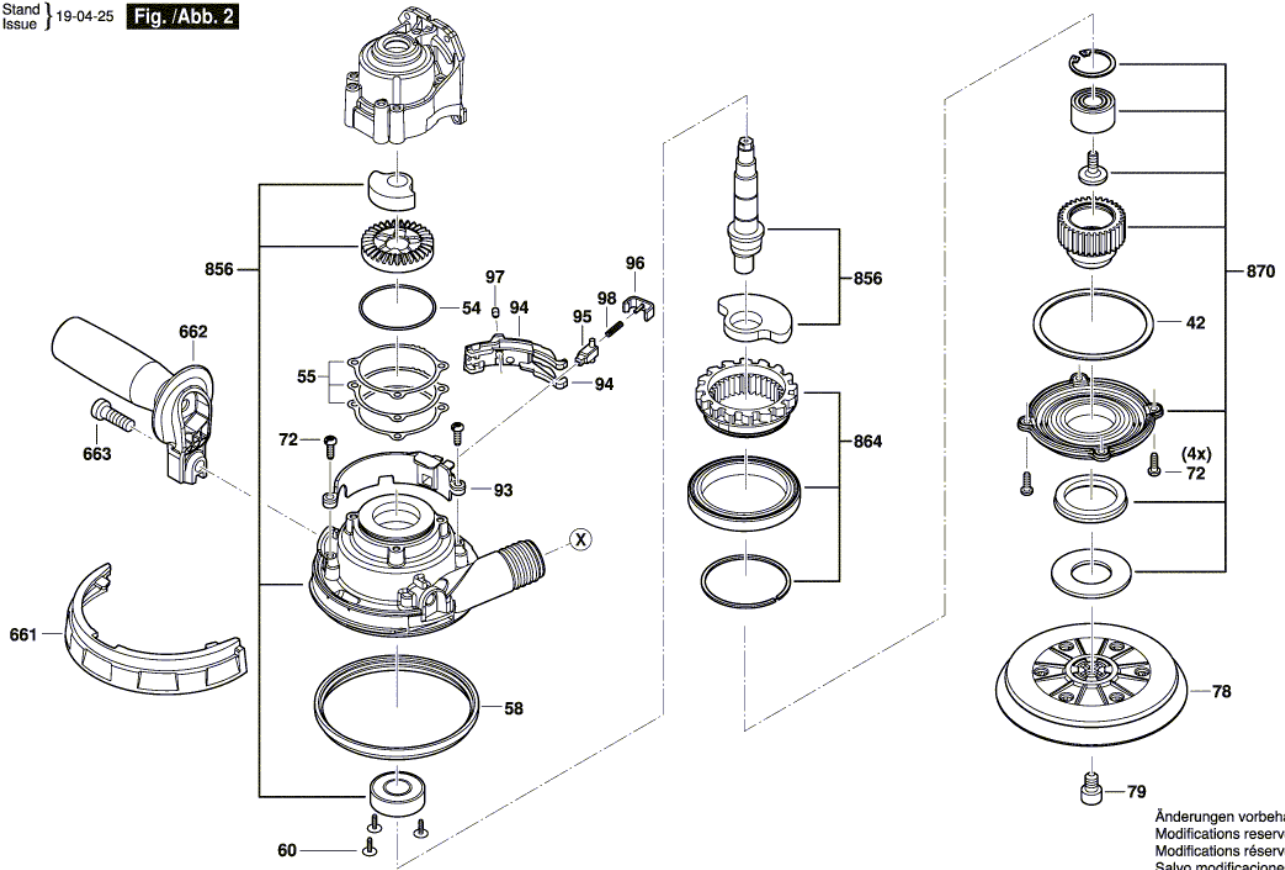


Änderungen vorbehalten
Modifications reserved
Modifications réservées
Salvo modificaciones



3 601 B57 010

Stand Issue } 19-04-25 **Fig./Abb. 2**



Änderungen vorbehalten
Modifications reserved
Modifications réservées
Salvo modificaciones



| Pos. | Part Number | Description | Pos. | Part Number | Description |
|------|---------------|---------------------------|------|-------------|-------------|
| 4 | 2 607 200 700 | | | | |
| 5 | 1 604 460 276 | Power supply cord | | | |
| 6 | 2 600 703 013 | Grommet | | | |
| 7 | 2 601 035 004 | Cable Clip | | | |
| 8 | 1 601 11C 2JW | | | | |
| 9 | 1 601 11C 2R9 | | | | |
| 14 | 1 619 P13 103 | | | | |
| 15 | 2 604 337 120 | | | | |
| 19 | 2 603 490 021 | Torx Oval-Head Screw | | | |
| 20 | 2 609 004 706 | | | | |
| 23 | 2 603 300 003 | Hex Nut | | | |
| 24 | 2 609 110 149 | Bevel Gear | | | |
| 25 | 1 600 100 033 | Cover Disc | | | |
| 26 | 1 600 A00 4Z5 | | | | |
| 27 | 1 600 206 025 | Rubber Ring | | | |
| 28 | 2 606 610 147 | | | | |
| 29 | 1 619 P00 987 | | | | |
| 32 | 1 619 P02 818 | | | | |
| 34 | 1 607 233 5BR | | | | |
| 35 | 2 605 132 083 | | | | |
| 36 | 2 603 490 023 | Lens Head Screw | | | |
| 37 | 1 619 P02 828 | | | | |
| 38 | 2 603 490 016 | Torx Oval-Head Screw | | | |
| 42 | 2 600 101 131 | | | | |
| 54 | 2 600 210 061 | | | | |
| 55 | 1 600 A00 S5P | | | | |
| 55 | 1 600 A00 S5R | | | | |
| 55 | 1 600 A00 S5S | | | | |
| 57 | 1 603 430 044 | | | | |
| 58 | 2 600 206 033 | | | | |
| 60 | 1 600 A00 RD6 | | | | |
| 72 | 2 603 410 049 | Thread-forming tap. Screw | | | |
| 74 | 2 605 105 219 | | | | |
| 76 | 2 602 026 214 | | | | |
| 78 | 2 608 614 078 | | | | |
| 79 | 2 910 131 238 | Hex Socket Head Cap Screw | | | |
| 80 | 2 605 730 081 | | | | |
| 81 | 2 602 033 901 | | | | |
| 88 | 1 601 11C 2K3 | | | | |
| 89 | 1 601 11C 2K4 | | | | |
| 92 | 2 604 465 116 | | | | |
| 93 | 2 602 033 022 | | | | |
| 94 | 2 601 990 060 | | | | |
| 95 | 2 603 102 014 | | | | |
| 96 | 2 605 132 082 | | | | |
| 97 | 2 600 590 006 | Ratchet Cap | | | |
| 98 | 2 609 996 608 | | | | |
| 661 | 2 605 191 327 | | | | |
| 662 | 2 602 025 213 | | | | |
| 663 | 2 910 130 244 | Hex Socket Head Cap Screw | | | |
| 801 | 1 607 000 DD5 | | | | |
| 803 | 1 607 000 DD7 | | | | |
| 808 | 1 601 11A 5V0 | | | | |
| 810 | 1 619 P02 870 | | | | |
| 849 | 1 607 000 DC3 | | | | |
| 856 | 1 607 000 DD1 | | | | |
| 864 | 1 607 000 DD2 | | | | |
| 870 | 1 607 000 DD3 | | | | |