



BOSCH

Random orbital sander

GEX 18V-125 | 3 601 C72 210

Table of Content

Spare parts list.....	2
Illustration - Type.....	3

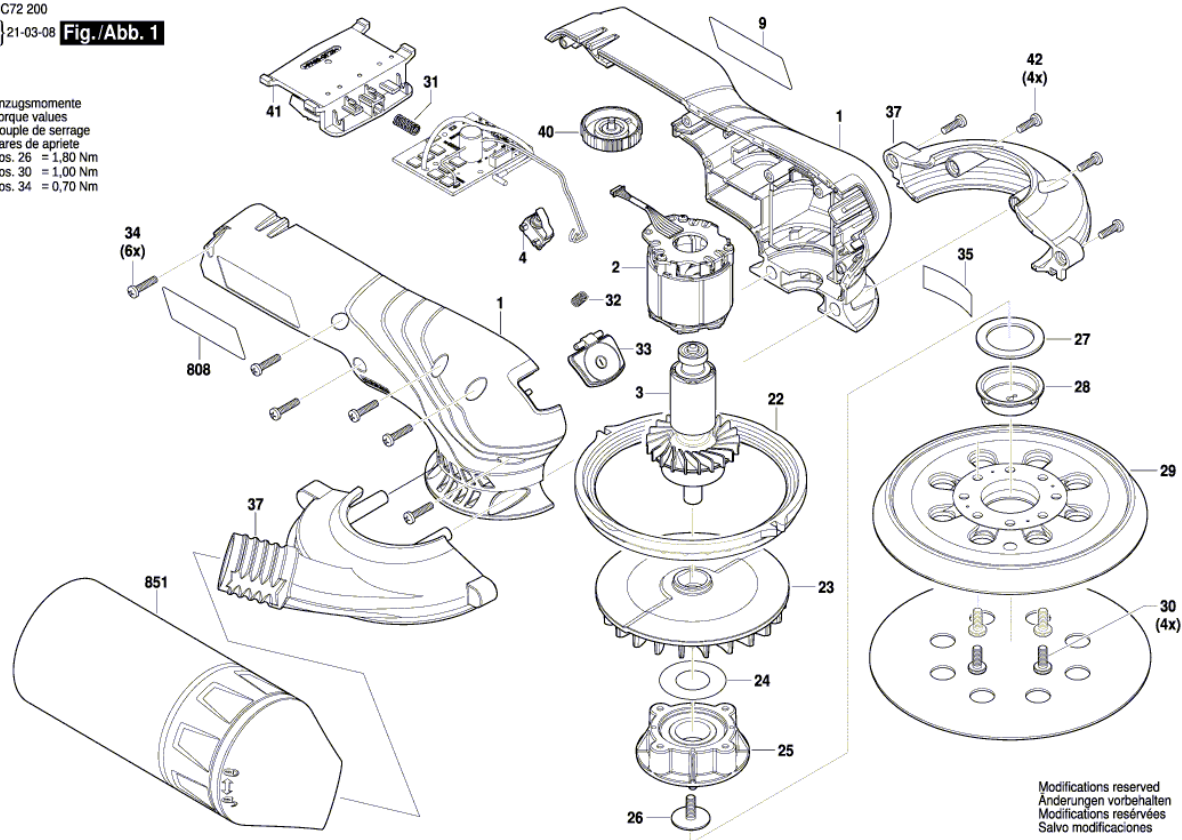
Spare parts list

Item	Part Number	Description	Illustration
1	1 619 PB5 543	Housing	1
2	1 619 PB5 615	Stator	1
3	1 619 PB5 546	Armature	1
4	2 607 202 753	Switch	1
9	6 082 Y00 DG9	Label	1
22	1 619 PB5 547	Friction Ring	1
23	1 619 PB5 548	Fan	1
24	1 619 PB5 549	Washer	1
25	1 619 PB5 550	Bearing Flange	1
26	1 619 PB5 551	Torx Oval-Head Screw	1
27	1 619 PB5 552	Felt Washer	1
28	1 619 PB5 553	Cover	1
29	1 619 PB5 554	Backing Pad	1
30	1 619 PB5 555	Torx Oval-Head Screw	1
31	1 619 PB5 556	Compression Spring	1
32	1 619 PB5 557	Compression Spring	1
33	1 619 PB5 558	Switch Button	1
34	1 619 PB5 559	Torx Oval-Head Screw	1
35	1 619 PB5 560	Sticker	1
37	1 619 PB5 544	Housing	1
40	1 619 PB5 601	Speed governor	1
41	1 619 PB5 616	Contact retainer	1
42	1 619 PB5 575	Torx Oval-Head Screw	1
808	1 619 PB5 608	Nameplate	1
851	1 619 PB5 598	Dust container	1

Illustration - Type - E

3 601 C72 200
 Issue | 21-03-08
 Stand | **Fig./Abb. 1**

Anzugsmomente
 Torque values
 Couple de serrage
 Pares de apriete
 Pos. 26 = 1,80 Nm
 Pos. 30 = 1,00 Nm
 Pos. 34 = 0,70 Nm



Modifications reserved
 Änderungen vorbehalten
 Modifications réservées
 Salvo modificaciones