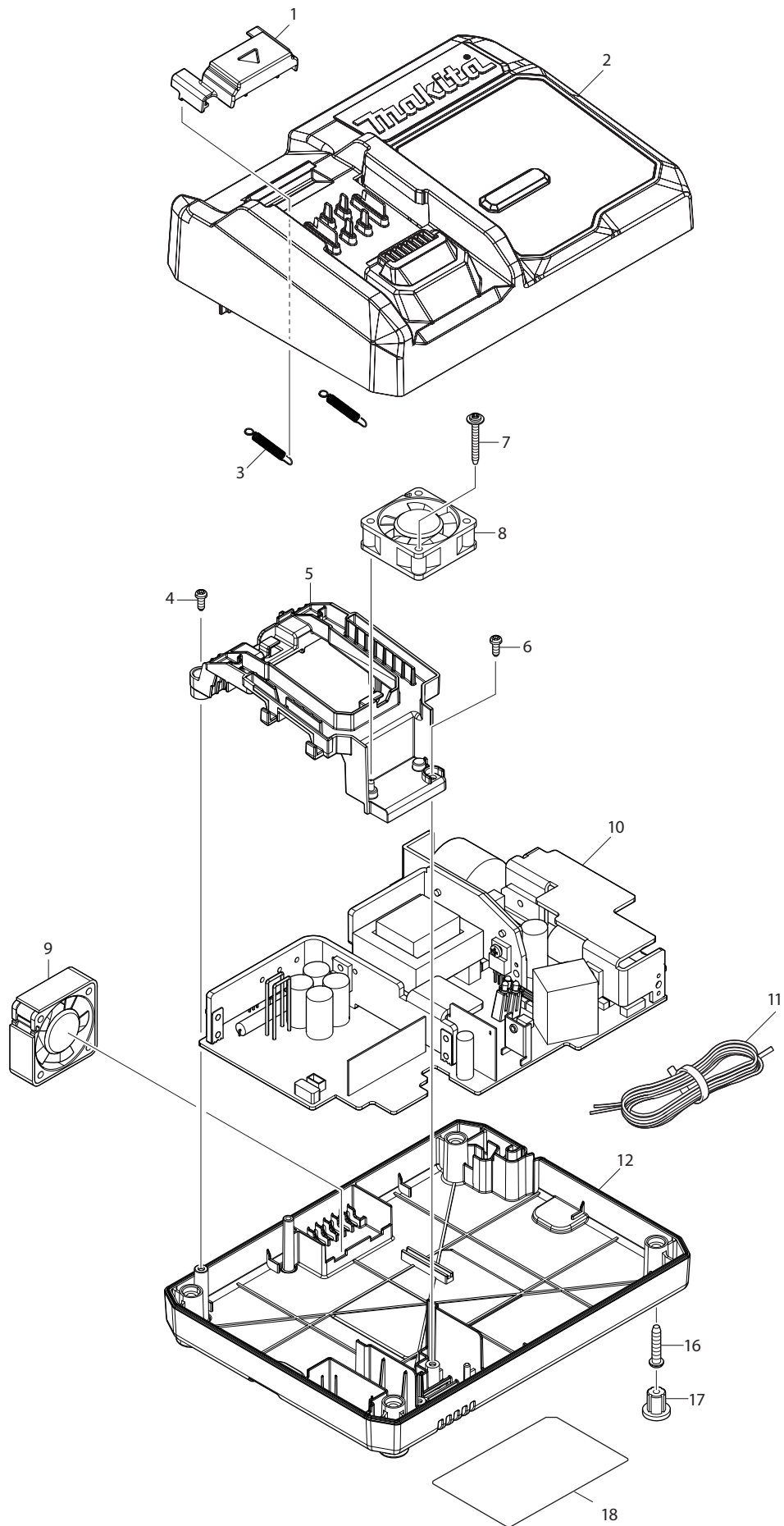


Model GFD02Z Parts List

A = Standard Equipment

O = Circuit Diagram

Item#	Part#	Description	Q'ty	Unit
001	858D02-2	GFD02 NAME PLATE	1	
002	191N20-0	HOUSING SET	1	
	C10 263005-3	RUBBER PIN 6	2	PC.
	C20 252126-6	HEX. LOCK NUT M4-7	2	PC.
	C30 8026Y7-1	CAUTION LABEL	1	PC.
	D10	INC. 21		
003	266429-2	TAPPING SCREW 3X16	7	PC.
004	232493-5	LEAF SPRING	2	PC.
005	127731-7	SPEED CHANGE LEVER ASSEMBLY	1	
	C10 233438-6	COMPRESSION SPRING 4	2	PC.
006	251468-5	FLAT HEAD SCREW M6X22	1	PC.
007	763256-3	KEYLESS DRILL CHUCK 13	1	PC.
008	127730-9	GEAR ASSEMBLY	1	
009	251497-8	TAPPING SCREW 3X20	4	PC.
010	266490-9	TAPPING SCREW PT 2X6	3	PC.
011	620E42-4	CONTROLLER	1	
012	652069-6	FLAT HEAD SCREW M3X6	3	PC.
013	629A35-4	STATOR	1	
014	619659-8	ROTOR	1	
015	413305-3	REAR COVER	1	
016	266429-2	TAPPING SCREW 3X16	2	PC.
017	620549-0	LED CIRCUIT	1	PC.
018	419041-9	F/R CHANGE LEVER	1	PC.
019	651443-5	SWITCH C3JR-4B	1	PC.
020	632R99-1	TERMINAL UNIT	1	
021	191N20-0	HOUSING SET	1	
	C10 263005-3	RUBBER PIN 6	2	PC.
	C20 252126-6	HEX. LOCK NUT M4-7	2	PC.
	C30 8026Y7-1	CAUTION LABEL	1	PC.
	D10	INC. 2		
022	8007R2-2	XGT LOGO LABEL	1	PC.
023	858D09-8	GFD02 SERIAL NO. LABEL	1	PC.
A01	251314-2	SCREW M4X12	1	PC.
A02	346449-3	HOOK	1	PC.



Model DC40RA Parts List

A = Standard Equipment

O = Circuit Diagram

Item#	Part#	Description	Q'ty	Unit
001	459475-4	TERMINAL COVER	1	PC.
002	140N46-9	CHARGER CASE COMPLETE	1	PC.
	C10 459476-2	LENS	1	PC.
	C20 819V01-7	CHARGING CONDITION LABEL	1	PC.
003	232565-6	TENSION SPRING 4	2	PC.
004	265B02-7	TAPPING SCREW 3X8	1	PC.
005	459474-6	TERMINAL BASE	1	PC.
006	265B02-7	TAPPING SCREW 3X8	1	PC.
007	265A61-5	TAPPING SCREW FLANGE 3X25	1	PC.
008	632P24-0	FAN 40	1	PC.
009	632P25-8	FAN 40	1	PC.
010	620B41-8	CHARGING CIRCUIT	1	PC.
010	C11 647075-4	VARISTOR	1	PC.
	C20 652089-0	FUSE	1	PC.
011	667982-5	VINYL CORD #18-2-2.0	1	PC.
012	459846-5	CHARGER CASE COVER	1	PC.
016	265B01-9	TAPPING SCREW PT 4X20	4	PC.
017	286255-3	CAP 13	4	PC.
018	857F48-7	DC40RA NAME PLATE	1	PC.
E01	819V02-5	CAUTION LABEL	1	PC.