

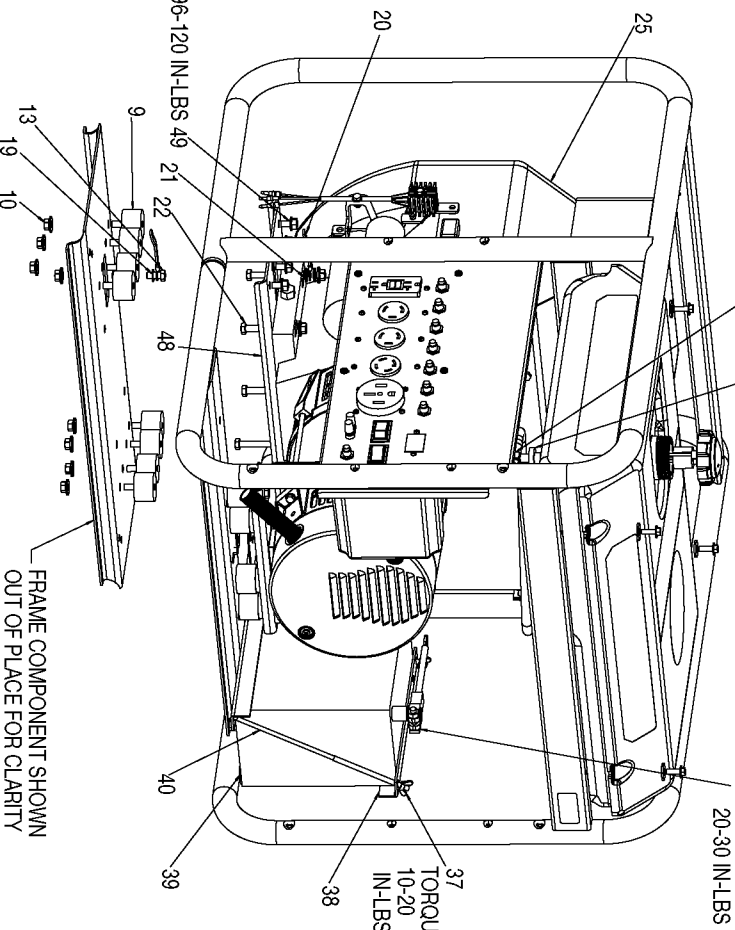
NOTE: TORQUE 120-144 IN-LBS FOR ALL NUTS

LUBE WITH LIGHT
OIL OR SOAP
PRIOR TO
INSTALLATION 26

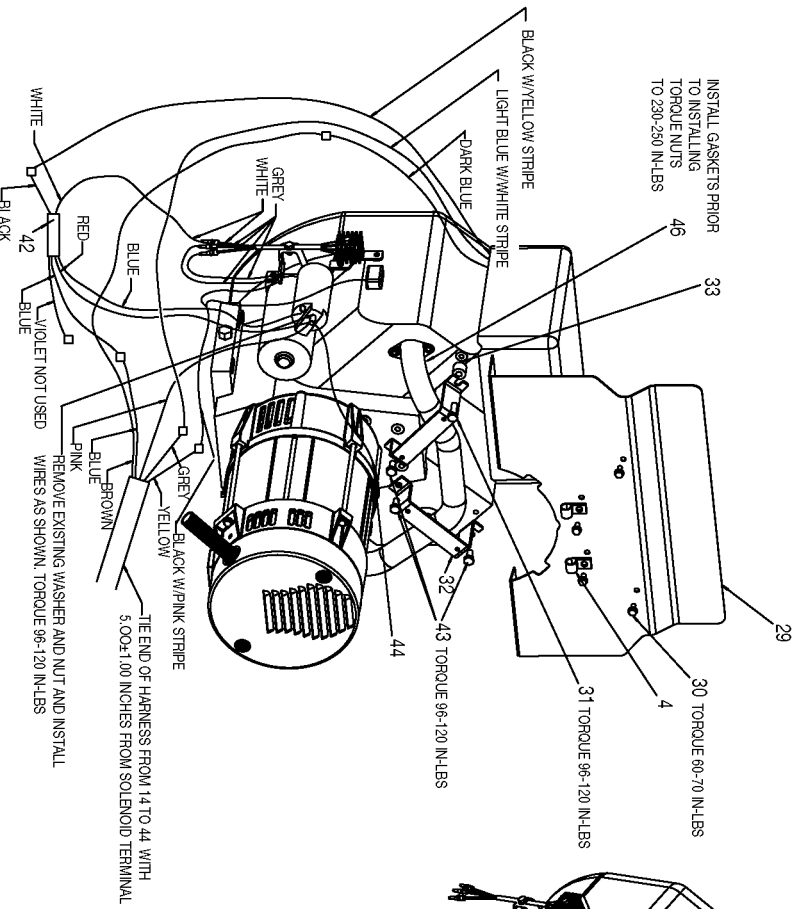
44 TORQUE
20-30 IN-LBS

37
TORQUE
10-20
IN-LBS

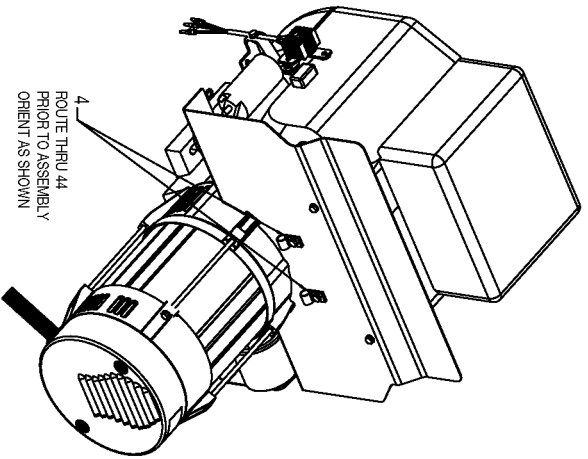
TORQUE 96-120 IN-LBS 49

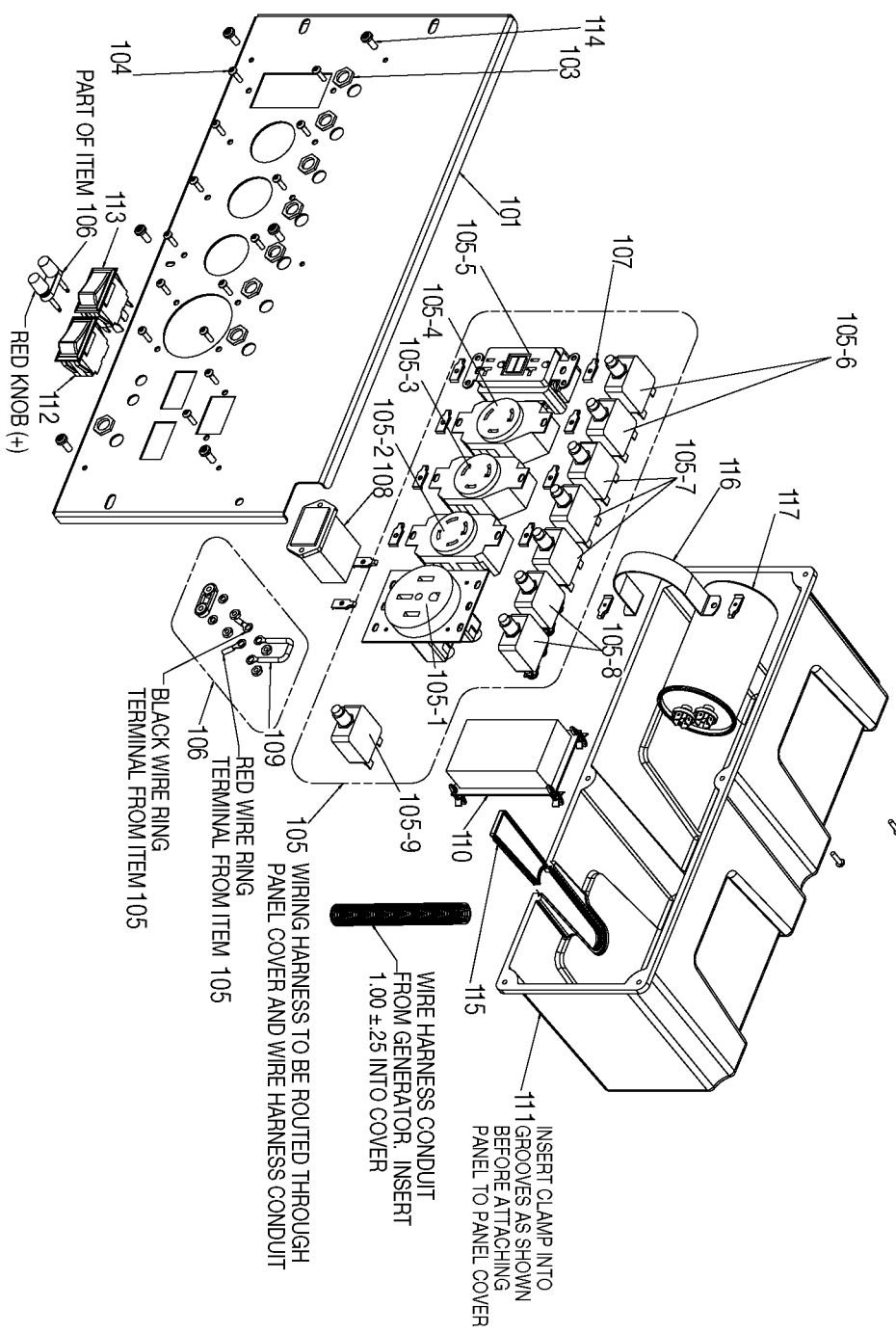


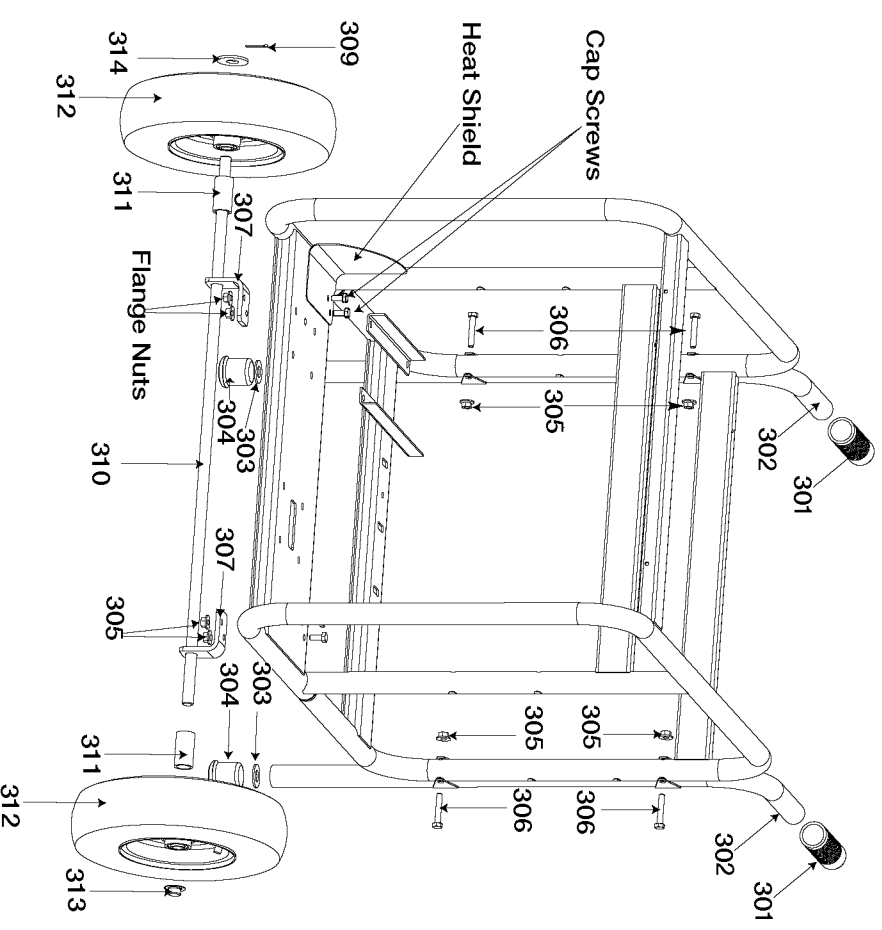
FRAME COMPONENT SHOWN
OUT OF PLACE FOR CLARITY



INSTALL GASKETS PRIOR
 TO INSTALLING
 TORQUE NUTS
 TO 230-250 IN-LBS







Parts List for GHE10000-WK Type 1

Item Number	Part Number	Description	Qty Required
1	Z-GS-0795	TANK FUEL 7G SS	1
3	Z-A14582	HOSE FUEL	1
4	000000-00	No Longer Available	1
4	000000-00	No Longer Available	1
5	GS-0863	CAP FUEL W/GAUGE	1
6	91895680	SCREW .250-20X.750 H	1
7	SSN-632	WASHER .875 OD .375	1
8	GS-0227	CLAMP FUEL .50	1
9	GS-0033	ISOLATOR VIBRATION 1	1
10	SSF-8150	NUT .312-18 UNC HEX	1
11	000000-00	No Longer Available	1
12	000000-00	No Longer Available	1
13	SS-12-CD	SCREW .313-18X.750 H	1
14	000000-00	No Longer Available	1
16	000000-00	No Longer Available	1
16	GS-0872	RESISTOR 10K OHM	2
16	GS-0871	DIODE 10AMP 1000V	2
19	N017772	LOCK WASHER	1
20	GS-0118	STRAP GROUND	1
21	330016-13	WASHER	1
22	SSF-3121-ZN	SCREW .313-18X1.75 H	1
23	GS-0117	LUG GROUND	1
24	5140123-06	SCREW	1
25	000000-00	No Longer Available	1
26	N103455	GROMMET	1
27	GS-0437	DRAIN COCK	1
30	000000-00	No Longer Available	1

Parts List for GHE10000-WK Type 1

Item Number	Part Number	Description	Qty Required
31	D21829	SCREW M8X1.25X25 HEX	1
32	000000-00	No Longer Available	1
33	000000-00	No Longer Available	1
36	000000-00	No Longer Available	1
37	000000-00	No Longer Available	1
38	D21952	BRACKET BATTERY 10KW	1
39	000000-00	No Longer Available	1
40	D21953	BOLT J BATTERY 10KW	1
41	000000-00	No Longer Available	1
42	000000-00	No Longer Available	1
43	000000-00	No Longer Available	1
44	000000-00	No Longer Available	1
44	000000-00	No Longer Available	1
44	D21946	CABLE BATTERY POS 38	1
44	D22071	BOOT TOP POST POSITI	1
46	000000-00	No Longer Available	1
47	000000-00	No Longer Available	1
49	000000-00	No Longer Available	1
50	95829230	SCREW .313-18X1.50 H	1
56	SSF-553-1	SCREW #10-24X.563 TH	1
57	000000-00	No Longer Available	1
103	SSF-595	NUT .438-28 UNEF HEX	1
104	SSF-583	SCREW #6-32X.500 PAN	1
105	000000-00	No Longer Available	1
105	D22273	RECEPTACLE 14-50R 12	1
105	GS-0455	RECEPTACLE 4 PRONG 3	1
105	GS-0021	RECEPTACLE 125V 30A	1

Parts List for GHE10000-WK Type 1

Item Number	Part Number	Description	Qty Required
105	GS-0480	RECEPTACLE 125V 20A	1
105	GS-0644	RECEPTACLE GFCI 120V	1
105	D21943	BREAKER CIRCUIT	1
105	GS-0026	BREAKER CIRCUIT 125/	1
105	D21508	BREAKER CIRCUIT	1
105	GS-0681	BREAKER CIRCUIT	1
106	Z-GS-0728	ASSY BINDING POST SS	1
107	SSF-584	NUT #6-32 SPEED SELF	1
108	GS-0735	METER HOUR	1
109	GS-0835	ASSY RESISTOR DC SHU	1
110	D27578	ASSY BOARD CIRCUIT I	1
111	000000-00	No Longer Available	1
112	D27260	SWITCH IDLE CONTROL	1
113	000000-00	No Longer Available	1
114	SSF-3156	SCREW #10-9X.500 THD	1
115	D26113	CLAMP MOLDED STRESS	1
116	000000-00	No Longer Available	1
117	GS-0732	CAPACITOR 55uf 3% 44	1
118	000000-00	No Longer Available	1
120	D22273	RECEPTACLE 14-50R 12	1
121	GS-0455	RECEPTACLE 4 PRONG 3	1
122	GS-0021	RECEPTACLE 125V 30A	1
123	GS-0480	RECEPTACLE 125V 20A	1
124	GS-0644	RECEPTACLE GFCI 120V	1
125	GS-0679	SWITCH IDLE CONTROL	1
127	D21508	BREAKER CIRCUIT	1
128	GS-0026	BREAKER CIRCUIT 125/	1

Parts List for GHE10000-WK Type 1

Item Number	Part Number	Description	Qty Required
129	D21943	BREAKER CIRCUIT	1
130	GS-0681	BREAKER CIRCUIT	1
301	A17036	GRIP HANDLE HORZ WB	1
302	000000-00	No Longer Available	1
303	91890228	WASHER 5/8 X 1.32 X	1
304	000000-00	No Longer Available	1
305	SSF-8150	NUT .312-18 UNC HEX	1
306	SSF-3121-ZN	SCREW .313-18X1.75 H	1
308	SS-12-CD	SCREW .313-18X.750 H	1
309	SSN-622	PIN COTTER 7/64 X 1.	1
310	D21722	AXLE 10KW	1
311	GS-0213-1	SPACER AXLE	1
313	SSF-591	WASHER .625 PUSH NUT	2
314	SSN-623	WASHER FLAT STEEL 1.	1
856	D22697	PLUG 14-50P 120/240V	1
856	D25570	CAPACITOR 25 uF 3% 4	1
856	000000-00	No Longer Available	1
856	GS-0914	PLUG TWISTLOCK L5-20	1
856	GS-0868	PLUG TWISTLOCK L5-30	1
856	GS-0849	PLUG TWISTLOCK L14-3	1