



BOSCH

Portable Planer

GHO 10-82 | 0 601 594 043

Table of Content

Spare parts list.....	2
Illustration - Type.....	4

Spare parts list

Item	Part Number	Description		
2	2 604 220 480	Field	230-240V	
3	2 609 199 269	Armature	230-240V	
4	1 607 200 157	Switch		
5	1 604 460 245	Power supply cord H05 VV-F	CN 2,65m 2 x 0,75mm	
6	2 600 703 017	Grommet	Ø6,4-Ø7,2x76 MM	
9	2 609 130 735	Manufacturer's nameplate		
12	2 609 120 049	Suppression Filter		
16	2 604 449 055	Carbon Brush Holder		
17	2 609 100 087	Cover		
19	2 910 611 020	Tapping Screw	DIN 7981-ST3,9x19-C-H	
20	2 609 110 155	Screw		
28	2 609 110 268	Pulley		
29	2 609 110 267	Pulley		
31	2 609 100 410	V-Belt		
32	2 609 100 024	Gear Cover		
33	2 609 110 077	Compression Spring		
35	2 609 100 132	Brush-Cover		
38	2 609 130 205	Sticker		
40	2 609 100 028	Air-Deflector Ring		
41	2 601 329 053	Contact Strap		
44	2 603 320 004	Square Nut	M6	
46	2 609 110 058	Adjusting Plate		
49	2 609 100 022	Handle Cover	BLUE	
57	2 604 448 181	Connecting Cable	L=233 MM	WHITE
58	2 604 448 118	Connecting Cable	L=213 MM	BLUE
71	2 609 110 064	Clamping jaws		
74	2 609 110 357	Planing Knife		
75	2 602 316 001	Stop Holding Device		
80	2 609 100 088	Knife Guard		
81	2 609 110 109	Spring		
201	2 603 433 001	Torx Oval-Head Screw		
202	2 916 069 088	Spring Washer		
203	2 609 110 084	Straining Screw		
801	2 609 100 141	Motor Housing	BLUE	

Spare parts list

Item	Part Number	Description
808	1 601 11A 3H3	Nameplate
810	2 609 120 398	Carbon Brush
814	2 600 905 052	groove ball bearing 8x22x7
825	2 609 110 174	Bearing Flange
827	2 600 905 051	groove ball bearing 7x19x6
837	2 609 160 066	Adjusting Nut
855	2 600 905 064	groove ball bearing 10x26x8
870	2 609 110 160	Planer Head
654	2 607 950 025	Hexagon-Socket Key
656	2 608 005 015	Stop Bracket
682	2 608 133 002	Blade Sharpening Device
683	2 607 970 002	Feeler Gauge

Illustration - Type - E

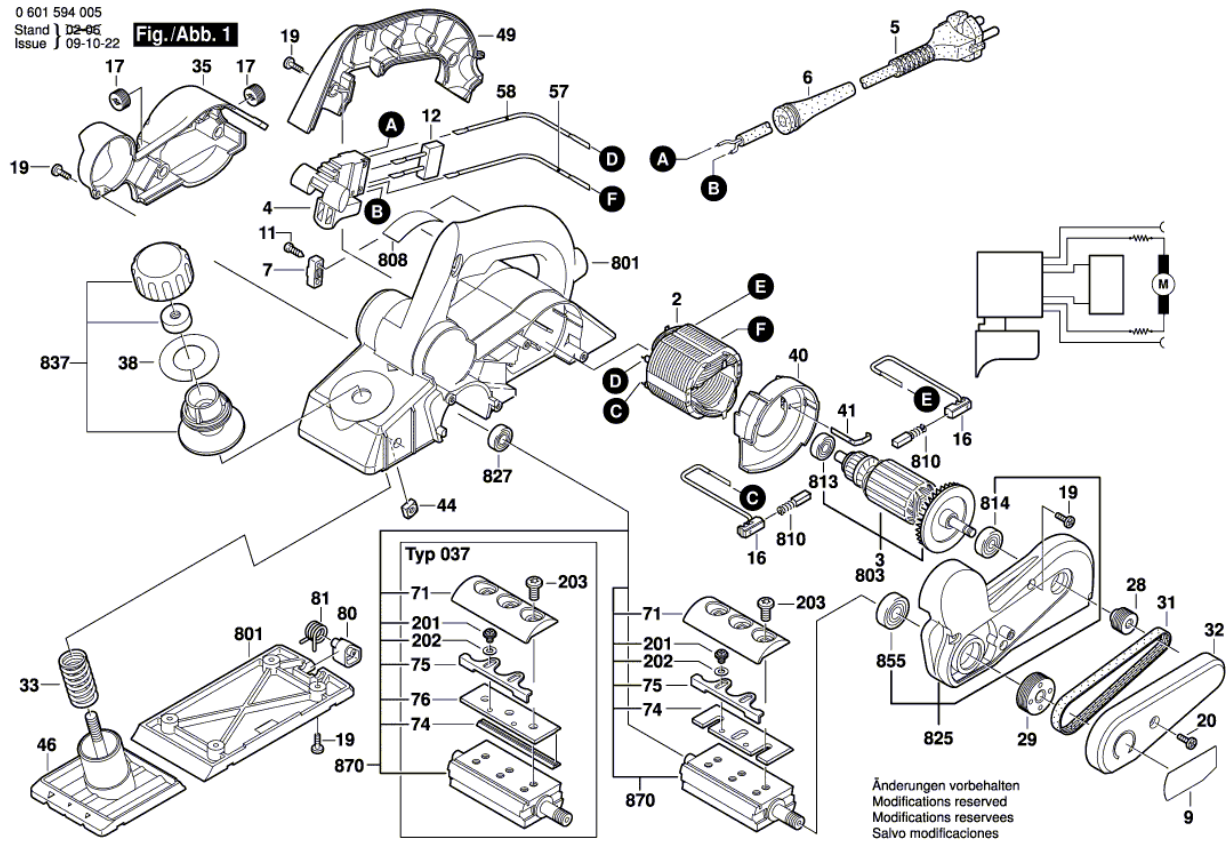
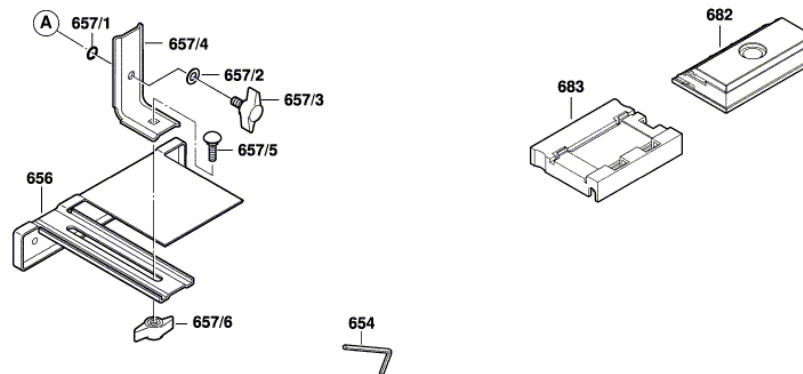


Illustration - Type - E

0 601 594 005
Stand } 20-06-04
Issue } **Fig. /Abb. 2**



Änderungen vorbehalten
Modifications reserved
Modifications réservées
Salvo modificaciones