

## Planer/Power tool - 3 601 EA7 010 - GHO12V-08

www.powertools-aftersaleservice.com



**BOSCH**

Item	Part Number	Description	Illustration	Price	Quantity	Price Group
1	2 605 105 221	Housing Section	1	-,-	1	27
4	2 607 200 714	Switch	1	-,-	1	11
5	1 607 233 5D3	Electronic Module	1	-,-	1	45
9	1 601 11C 24U	Manufacturer's nameplate GHO12V-08	1	-,-	1	13
13	2 609 270 035	Frame	1	-,-	1	12
14	2 603 410 051	Thread-forming tap. Screw	1	-,-	5	10
21	2 600 034 008	Sheet metal cover	1	-,-	1	11
22	2 604 651 034	Torsion Spring	1	-,-	1	10
23	2 917 850 080	Straight Pin	1	-,-	2	10
24	2 609 270 036	Frame	1	-,-	1	11
25	2 604 448 382	Light Guide	1	-,-	1	10
26	2 600 707 082	Insulating Foil	1	-,-	1	23
27	2 603 490 017	Torx Oval-Head Screw 3x10	1	-,-	2	10
28	2 604 651 035	Torsion Spring	1	-,-	1	10
29	2 605 411 242	Knife Guard	1	-,-	1	11
30	2 605 191 328	Button	1	-,-	1	10
31	2 604 690 055	Compression Spring	1	-,-	2	10
32	2 600 148 020	Air Path	1	-,-	1	10
33	2 607 200 715	Safety Switch	1	-,-	1	11
42	2 600 327 009	Threaded Ring	1	-,-	1	12
43	2 916 190 108	Shim ring	1	-,-	1	10
44	2 600 116 099	Spring retaining ring	1	-,-	1	10
45	2 604 610 156	Compression Spring	1	-,-	1	10
46	2 600 327 008	Rotary Knob	1	-,-	1	13
47	2 600 590 006	Ratchet Cap	1	-,-	2	11
48	2 609 200 575	Screw	1	-,-	2	10
49	2 600 451 010	Rotary Handle	1	-,-	1	14
50	2 606 338 002	Planer Head	1	-,-	1	45
51	2 609 200 574	Screw	1	-,-	2	11
52	2 915 011 038	Hex Nut M5-8-A	1	-,-	2	10
54	2 606 625 041	Toothed Belt Wheel	1	-,-	1	17
55	2 918 750 129	Spring Washer DIN 137-A6-X12CrNi17 7	1	-,-	1	10
56	2 604 736 018	Toothed Belt	1	-,-	1	16

Item	Part Number	Description	Illustration	Price	Quantity	Price Group
60	2 609 004 706	Clip	1	-,-	2	10
61	2 603 490 027	Torx Oval-Head Screw 4x40	1	-,-	1	10
62	2 603 490 024	Torx Oval-Head Screw 4x25	1	-,-	3	11
63	1 907 950 003	Offset Screwdriver DIN 911 SW2,5	1	-,-	1	13
64	2 608 042 054	Blade Holder	1	-,-	1	11
66	2 605 500 230	Belt Cover	1	-,-	1	13
69	2 609 004 274	Clip	1	-,-	1	10
91	2 607 337 237	Battery Pack BAT 415 10,8V712V 2,5AH	2	-,-	1	45
180	2 601 120 019	Manufacturer's nameplate	1	-,-	1	13
181	1 601 11A 54N	Warning Plate	1	-,-	1	13
182	2 601 120 018	Label	1	-,-	1	13
653	2 607 225 519	Fast Charger USA 120/3,6-10,8V,1h	2	-,-	1	39
684	2 605 411 243	Dust Bag	2	-,-	1	28
685	1 600 A01 2LX	Vacuum Adapter	2	-,-	1	18
803	1 607 000 CH4	Drive Unit	1	-,-	1	42
808	1 601 11A 54P	Nameplate	1	-,-	1	13
820	1 607 000 CH7	Base Plate	1	-,-	1	36
840	1 607 000 CH8	Adjusting Plate	1	-,-	1	33
865	1 600 A01 953	Planing Knife	1	-,-	1	26
867	1 607 000 CJ0	Chip Deflector	1	-,-	1	17

Illustration - Type E

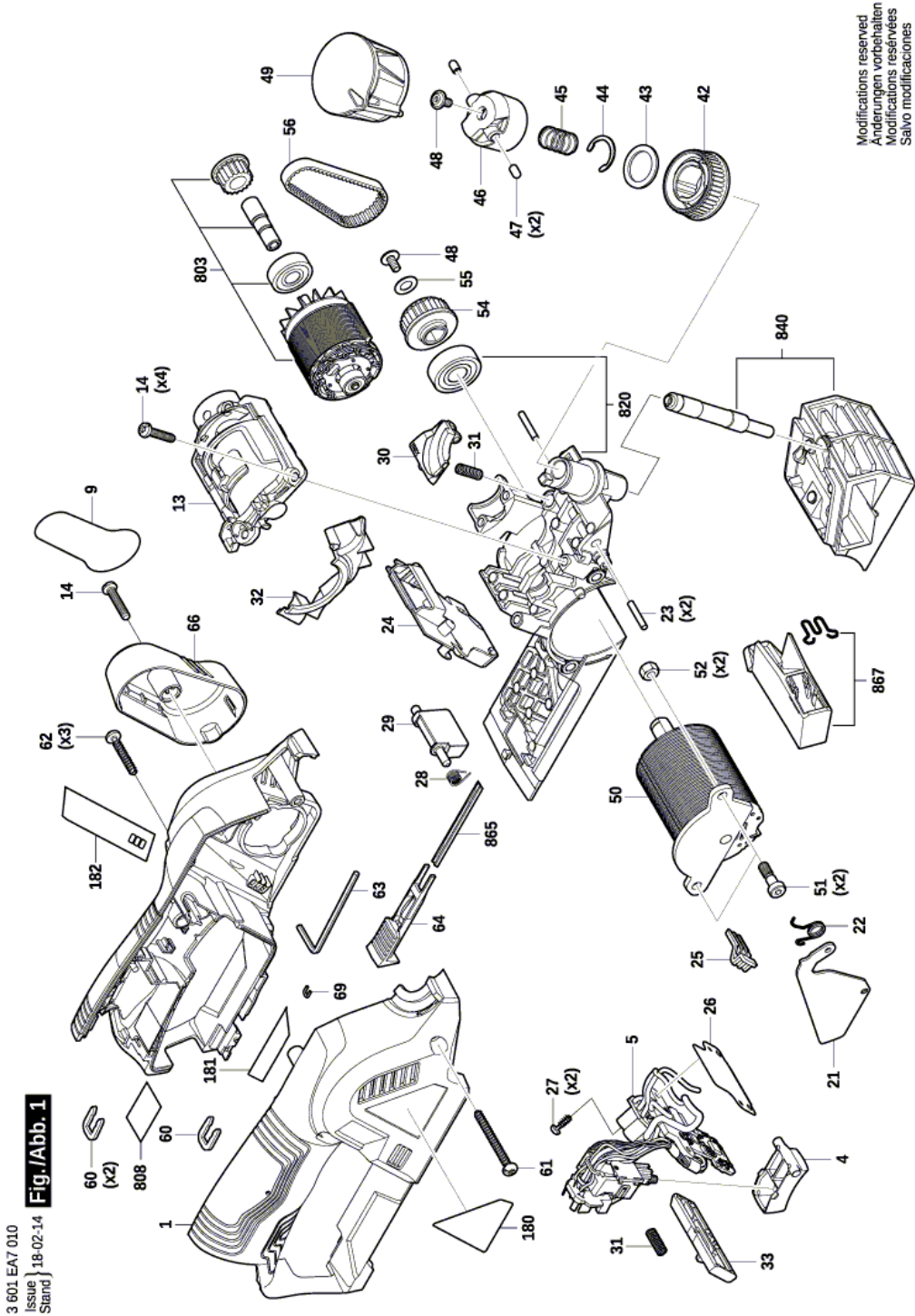
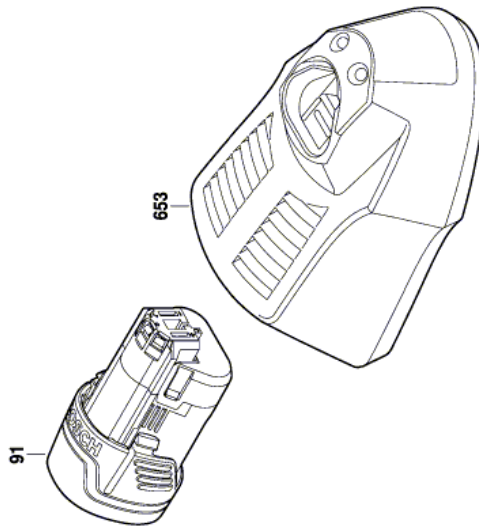
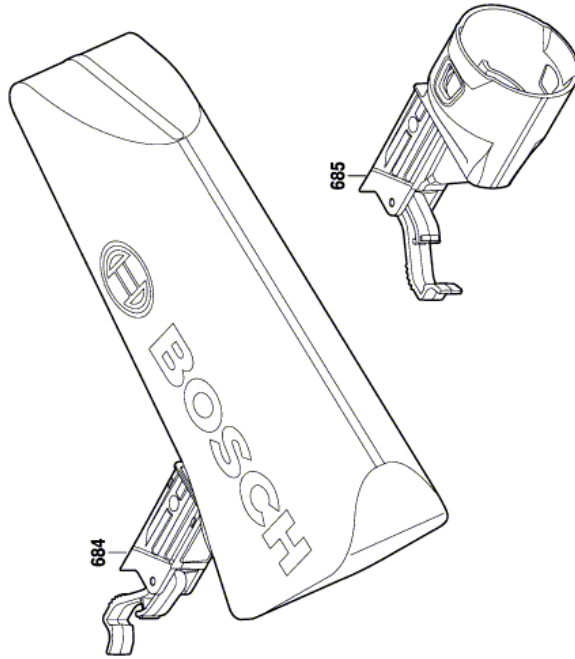


Illustration - Type E



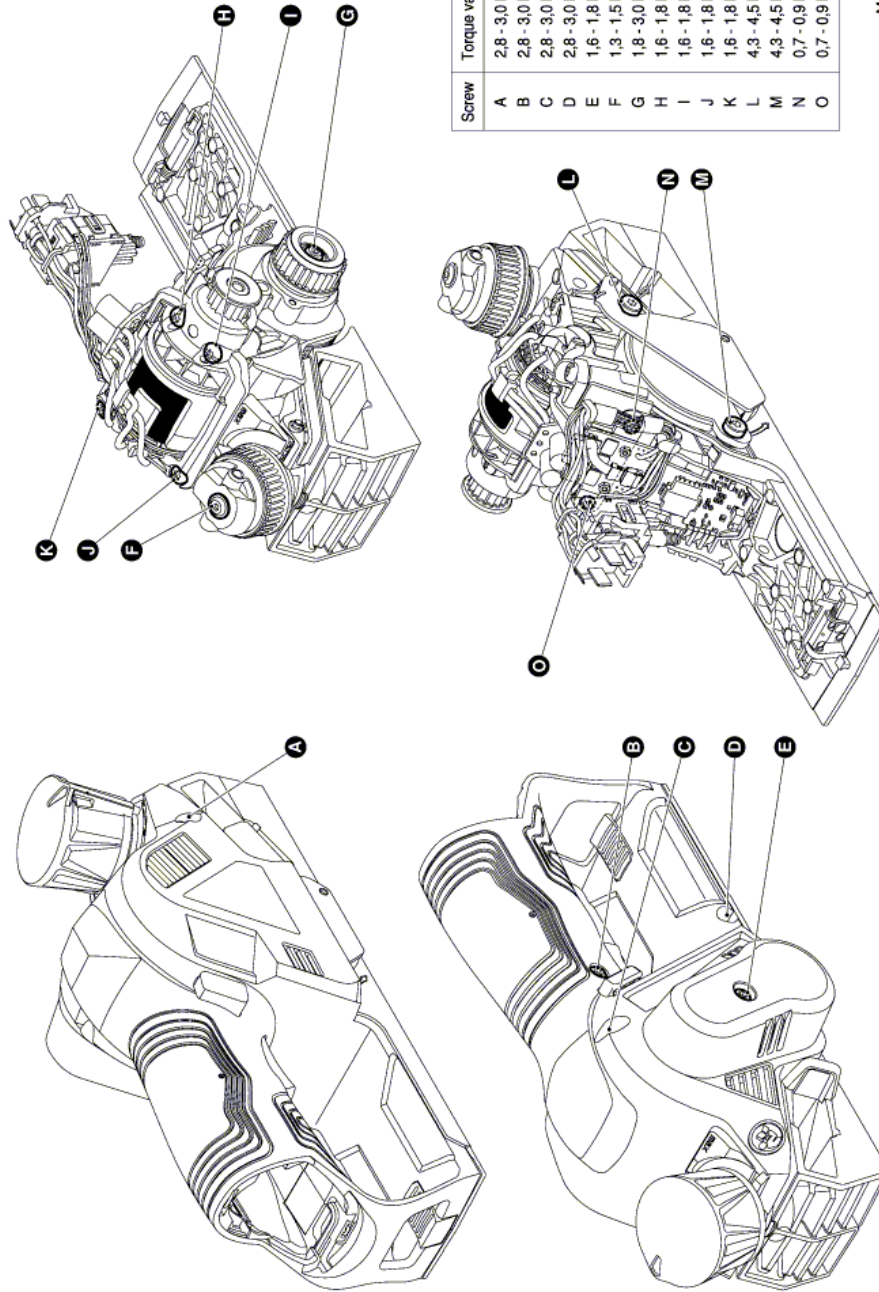
3 601 EA7 010  
Issue } 18-02-14  
Stand } **Fig./Abb. 2**

Modifications reserved  
Änderungen vorbehalten  
Modificaciones reservadas  
Salvo modificaciones

Illustration - Type E

3 601 EA7 010  
Issue 17-08-05  
Stand

**Fig./Abb. 3**



Screw	Torque value	Screw order
A	2,8 - 3,0 Nm	4
B	2,8 - 3,0 Nm	2
C	2,8 - 3,0 Nm	1
D	2,8 - 3,0 Nm	3
E	1,6 - 1,8 Nm	open
F	1,3 - 1,5 Nm	open
G	1,8 - 3,0 Nm	open
H	1,6 - 1,8 Nm	1
I	1,6 - 1,8 Nm	2
J	1,6 - 1,8 Nm	3
K	1,6 - 1,8 Nm	4
L	4,3 - 4,5 Nm	2
M	4,3 - 4,5 Nm	1
N	0,7 - 0,9 Nm	open
O	0,7 - 0,9 Nm	open

Modifications reserved  
Änderungen vorbehalten  
Modificacions reservées  
Salvo modificaciones

Information subject to change without further notice.