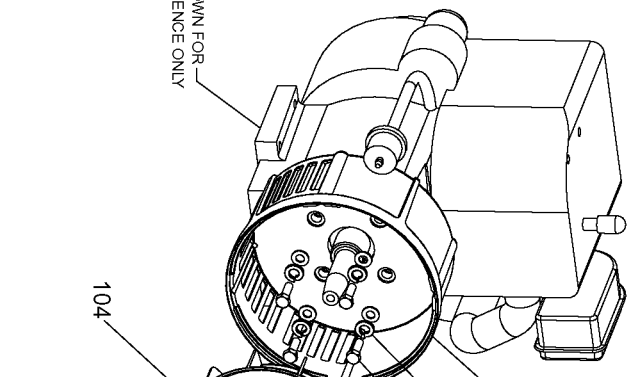


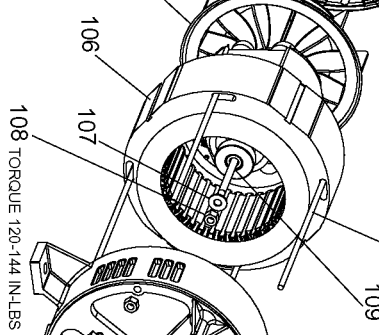
SHOWN FOR
REFERENCE ONLY



101 ORIENT WITH VENTS DOWNWARD AS SHOWN

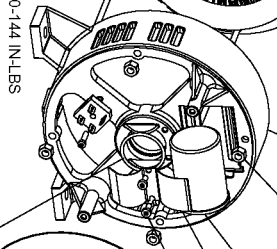
102
TORQUE
204-264 IN-LBS

105 TORQUE UNTIL THREADS RUN OUT

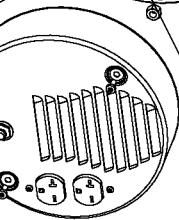


104
TORQUE 120-144 IN-LBS

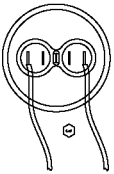
110
TORQUE 80-70 IN-LBS



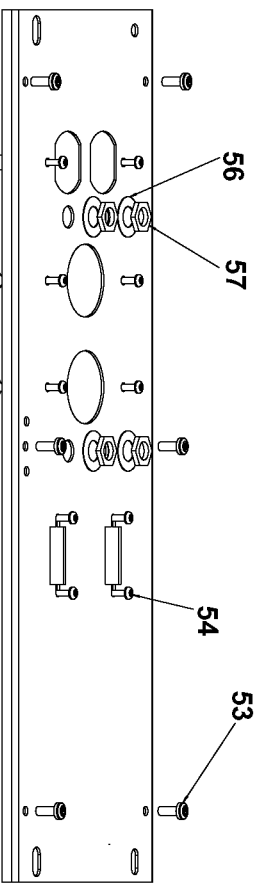
117 TORQUE 30-40 IN-LBS



121 INSERT INTO ORING
GROOVE, PART OF 10

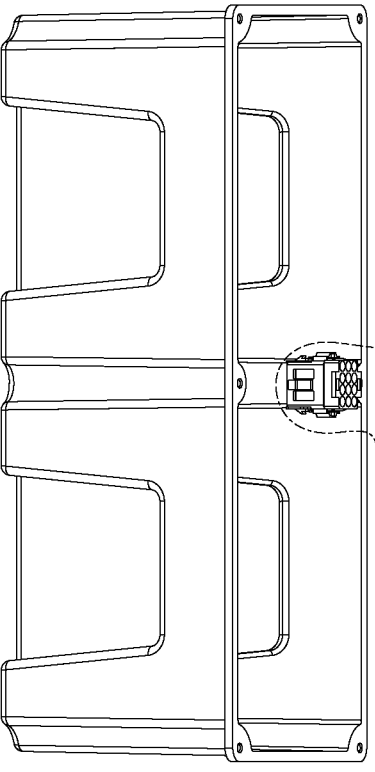


SCALE 1:1
CAPACITOR WIRING



ATTACH SPEED CLIP
PRIOR TO ASSEMBLY
OF DEVICES TO FACE PLATE

WIRING HARNESS PIN TO BE
SNAPPED INTO OPENING INSIDE
REAR COVER



Parts List for GHV4250C Type 1

Item Number	Part Number	Description	Qty Required
1	Z-GS-0795	TANK FUEL 7G SS	1
2	91895680	SCREW .250-20X.750 H	1
3	SSN-632	WASHER .875 OD .375	1
4	GS-0443	CAP FUEL TANK	1
5	000000-00	No Longer Available	1
6	000000-00	No Longer Available	1
7	91895680	SCREW .250-20X.750 H	1
8	Z-A14582	HOSE FUEL	1
9	000000-00	No Longer Available	1
10	GS-0033	ISOLATOR VIBRATION 1	1
10	GS-0433	ISOLATOR	1
11	SSF-8150	NUT .312-18 UNC HEX	1
12	5140123-06	SCREW	1
13	N017772	LOCK WASHER	1
14	SS-12-CD	SCREW .313-18X.750 H	1
15	GS-0118	STRAP GROUND	1
16	000000-00	No Longer Available	1
17	000000-00	No Longer Available	1
18	GS-0535	UNION REDUCER 1/4 X	1
19	39124607	SCREW .250-20X.625 H	1
20	5130235-00	LOCK WASHER	1
22	SSF-928	SCREW .313-18X.875 H	1
23	GS-0227	CLAMP FUEL .50	1
24	GS-0459	FILTER FUEL	1
25	GS-0117	LUG GROUND	1
26	SSF-553-1	SCREW #10-24X.563 TH	1
27	GS-0077	COVER END BLANK	1

Parts List for GHV4250C Type 1

Item Number	Part Number	Description	Qty Required
28	000000-00	No Longer Available	1
29	GS-0437	DRAIN COCK	1
30	N103455	GROMMET	1
31	000000-00	No Longer Available	1
32	SSF-627	SCREW M5X8.5X12 HEX	1
48	GS-0480	RECEPTACLE 125V 20A	1
49	GS-0445	RECEPTACLE 4 PRONG T	1
50	Z-GS-0024	BREAKER CIRCUIT 125/	1
51	GS-0045	SWITCH FULL POWER	1
53	SSF-3156	SCREW #10-9X.500 THD	1
54	SSF-583	SCREW #6-32X.500 PAN	1
55	SSF-584	NUT #6-32 SPEED SELF	1
56	000000-00	No Longer Available	1
57	SSF-595	NUT .438-28 UNEF HEX	1
101	000000-00	No Longer Available	1
102	SSN-619	WASHER .375 SPRING L	1
103	5140125-93	SCREW	1
104	Z-D27809	ASSY GEN 3.255 2D IC	1
104	D29822	KIT SERVICE FOCUS MO	1
105	GS-0110	BOLT STATOR THRU 130	1
106	Z-D27809	ASSY GEN 3.255 2D IC	1
106	D29822	KIT SERVICE FOCUS MO	1
107	330016-13	WASHER	1
108	SSF-576	NUT .313-24 HEX W/KE	1
109	GS-0091-1	BOLT ROTOR THRU 130L	1
110	000000-00	No Longer Available	1
112	SSF-575	NUT .250-20 HEX W/KE	1

Parts List for GHV4250C Type 1

Item Number	Part Number	Description	Qty Required
113	GS-0873	CAPACITOR 25UF 3% 37	1
116	GS-0595	BRACKET CAPACITOR 2.	1
117	SSF-553-1	SCREW #10-24X.563 TH	1
121	GS-0862	O-RING ROTOR BEARING	1
856	GS-0082	DIODE DSA	1