



**BOSCH**

# Hw-Battery-Lamp

GLI18V-420 | 3 601 D43 410

---

## Table of Content

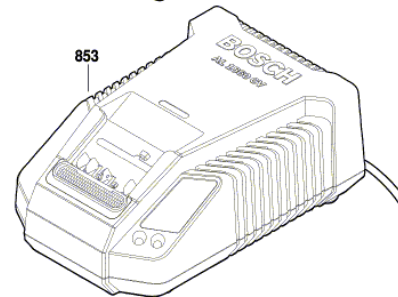
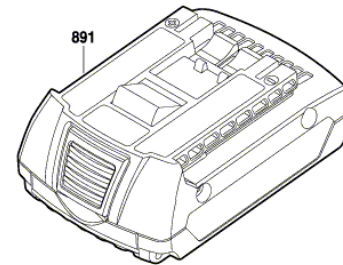
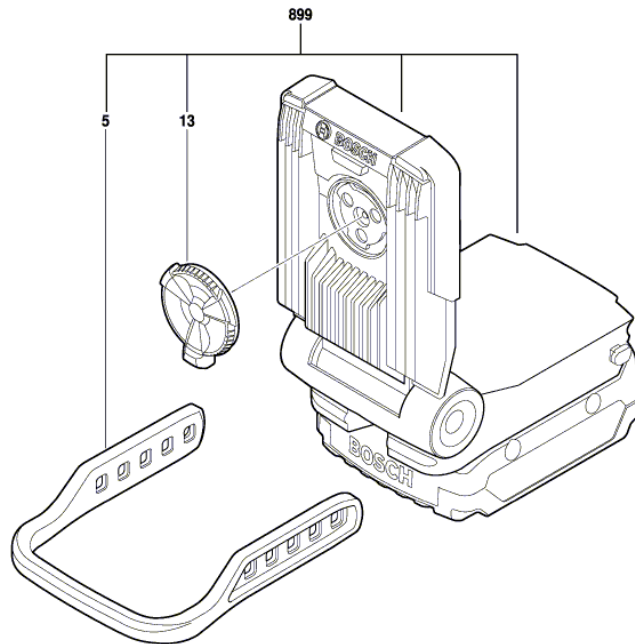
Spare parts list.....	2
Illustration - Type.....	3

**Spare parts list**

<b>Item</b>	<b>Part Number</b>	<b>Description</b>	<b>Illustration</b>
5	1 619 PA9 205	Rubber band	1
13	1 619 PA9 207	Lens	1

Illustration - Type - E

3 601 D43 401  
Issue |  
Stand | 15-07-03 **Fig./Abb. 1**



Modifications reserved  
Änderungen vorbehalten  
Modifications réservées  
Salvo modificaciones