



BOSCH

Hw-Battery-Lamp

GLI VariLED | 3 601 D43 401

Table of Content

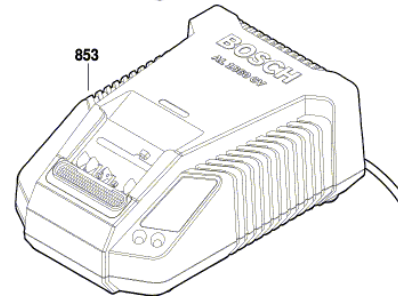
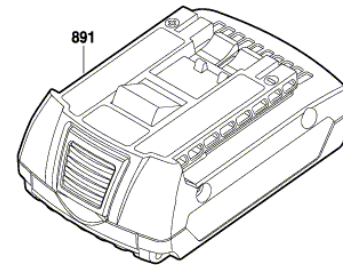
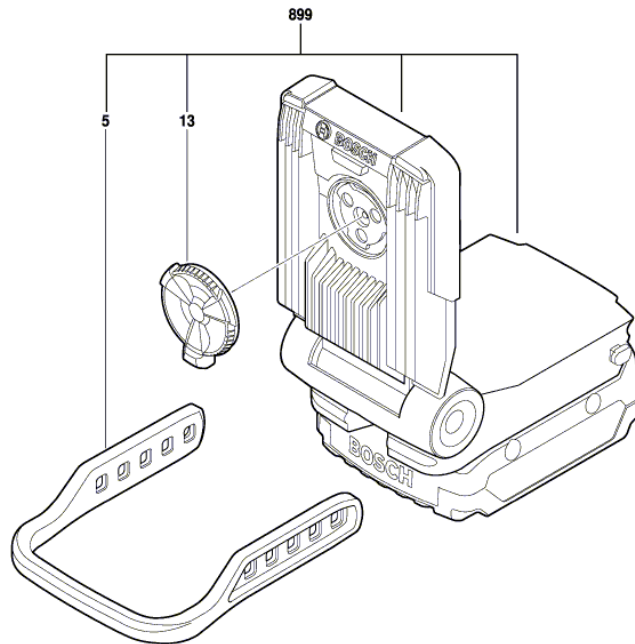
Spare parts list.....	2
Illustration - Type.....	3

Spare parts list

Item	Part Number	Description	
5	1 619 PA9 205	Rubber band	
13	1 619 PA9 207	Lens	
853	2 607 225 425	Fast Charger	GB 230/10,8-18V, 1h
853	2 607 225 427	Fast Charger	AUS 240/10,8-18V, 1h
853	2 607 226 281	Fast Charger 12V-18V 2A	EU GAL 18V-20 220V-240V
891	1 607 A35 0B2	Battery Pack	18V 3.0Ah Li SCM
891	2 607 336 813	Battery Pack Ah	BBS-MR XL-PACK 14,4V, LI, 4,0
899	0 601 443 400	Hw-Battery-Lamp	

Illustration - Type - E

3 601 D43 401
Issue |
Stand | 15-07-03 **Fig./Abb. 1**



Modifications reserved
Änderungen vorbehalten
Modifications réservées
Salvo modificaciones