



**BOSCH**

# Laser cross level

GLL 8-40 E | 3 601 K63 H80

---

## Table of Content

Spare parts list.....	2
Illustration - Type.....	3

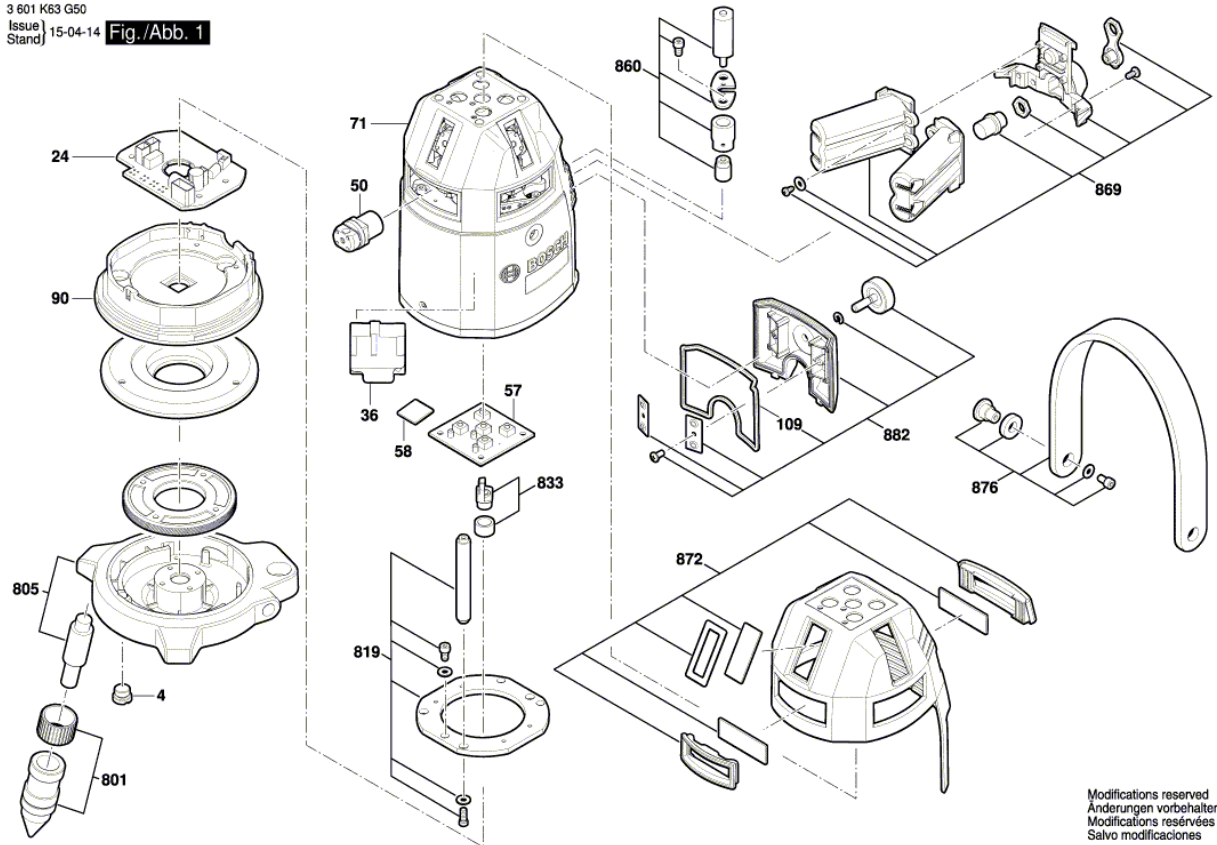
## Spare parts list

Item	Part Number	Description	Illustration	Price	Quantity	Price Group
4	1 619 PA8 166	Screw	1	-	1	
24	1 619 PA8 495	Elec Control Pcb	1	-	1	
36	1 619 PA8 198	Bubble	1	-	2	
50	1 619 PA8 212	Laser module	1	-	1	
57	1 619 PA8 219	Elec Control Pcb	1	-	1	
58	1 619 PA8 220	Pad	1	-	1	
71	1 619 PA8 497	Housing	1	-	1	
90	1 619 PA8 252	Protective Glass	1	-	1	
109	1 619 PA8 271	Housing Seal Ring	1	-	1	
801	1 619 PA8 301	Stand Leg	1	-	1	
805	1 619 PA8 300	Base frame	1	-	1	
819	1 619 PA8 302	Connecting Rod	1	-	1	
833	1 619 PA8 299	End Stop	1	-	1	
860	1 619 PA8 298	Motor-gearbox assembly	1	-	1	
869	1 619 PA8 296	Battery box assembly	1	-	1	
872	1 619 PA8 303	Top Part	1	-	1	
876	1 619 PA8 297	Carrying Strap	1	-	1	
882	1 619 PA8 295	Protection cover	1	-	1	

\* Prices shown are suggested retail prices

Illustration - Type - E

3 601 K63 G50  
Issue |  
Stand | 15-04-14 Fig./Abb. 1



Modifications reserved  
Änderungen vorbehalten  
Modifications réservées  
Salvo modificaciones