



**BOSCH**

# Distance Measuring Unit

GLM 15 | 3 601 K72 810

---

## Table of Content

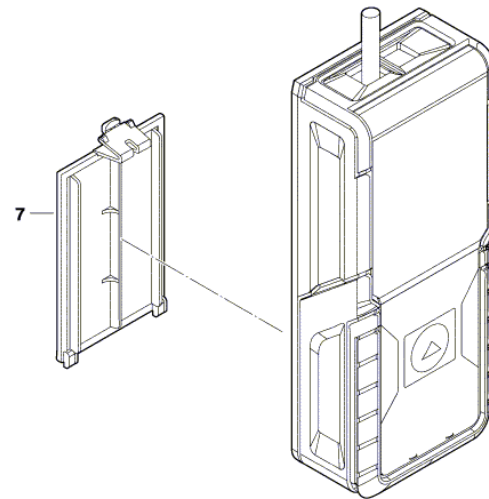
Spare parts list.....	2
Illustration - Type.....	3

**Spare parts list**

Item	Part Number	Description	Illustration
7	2 609 101 466	Battery Cover	1

Illustration - Type - E

3 601 K72 810  
Issue |  
Stand | 14-04-15 **Fig./Abb. 1**



Änderungen vorbehalten  
Modifications reserved  
Modificaciones reservées  
Salvo modificaciones