



**BOSCH**

# Optical level

GOL 26 | 3 601 K68 010

---

## Table of Content

Spare parts list.....	2
Illustration - Type.....	5

Illustration - Type - E

3 601 K68 010  
 Stand } 20-02  
 Issue } 20-03-05

Fig./Abb. 1

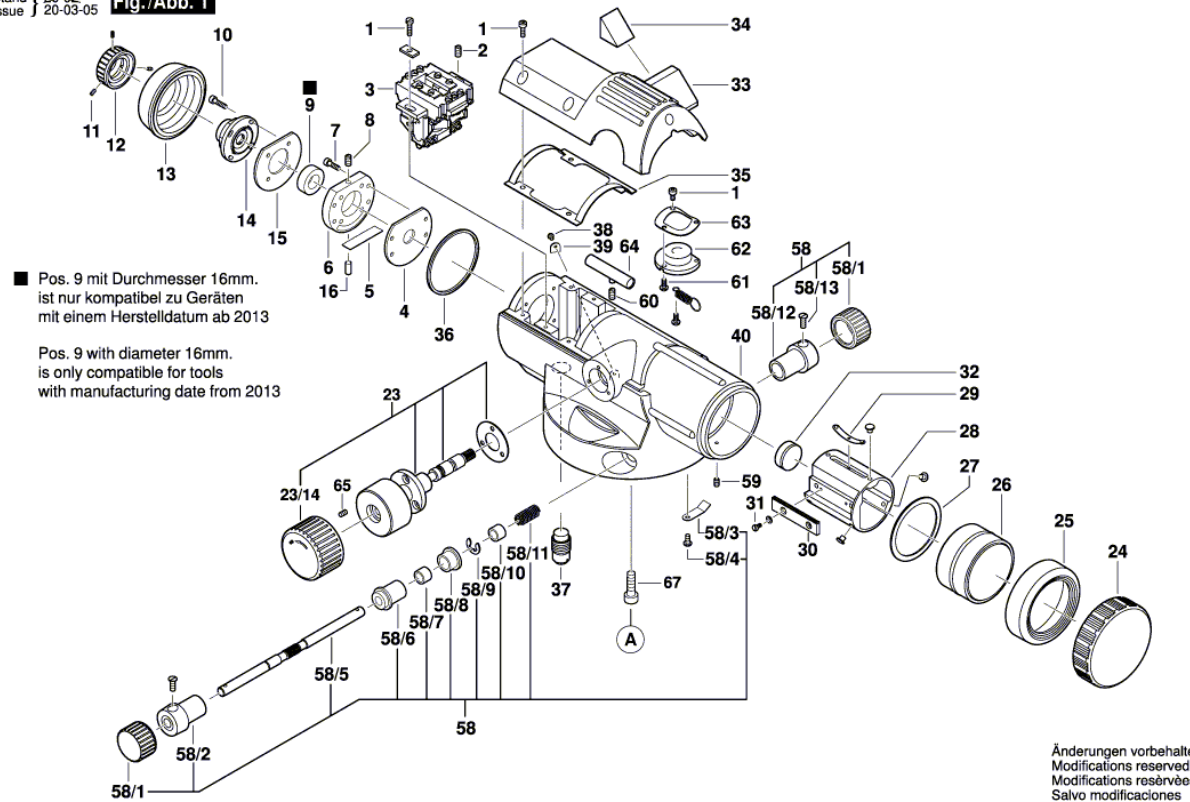
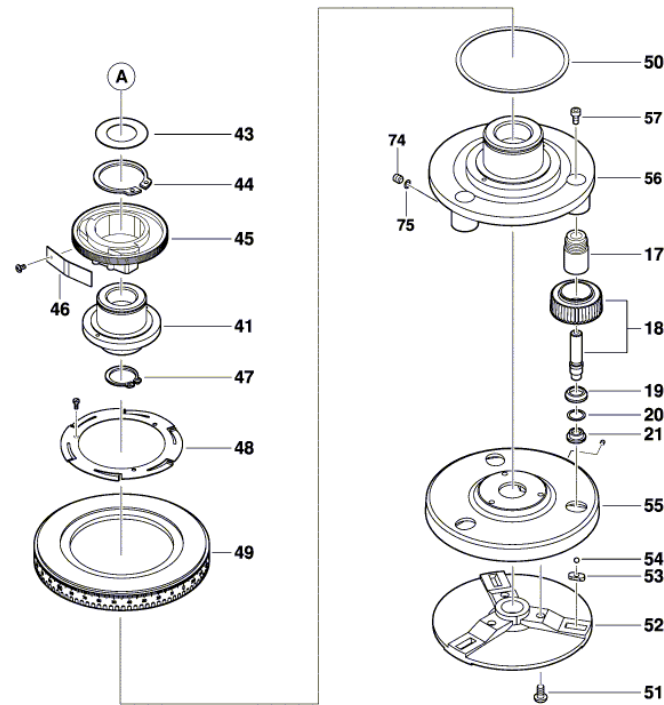


Illustration - Type - E

3 601 K68 010  
Stand } 15-12-17  
Issue } **Fig./Abb. 2**



Änderungen vorbehalten  
Modifications reserved  
Modifications réservées  
Salvo modificaciones