



BOSCH

Multipurpose tool

GOP12V-28 | 3 601 HB5 011

Table of Content

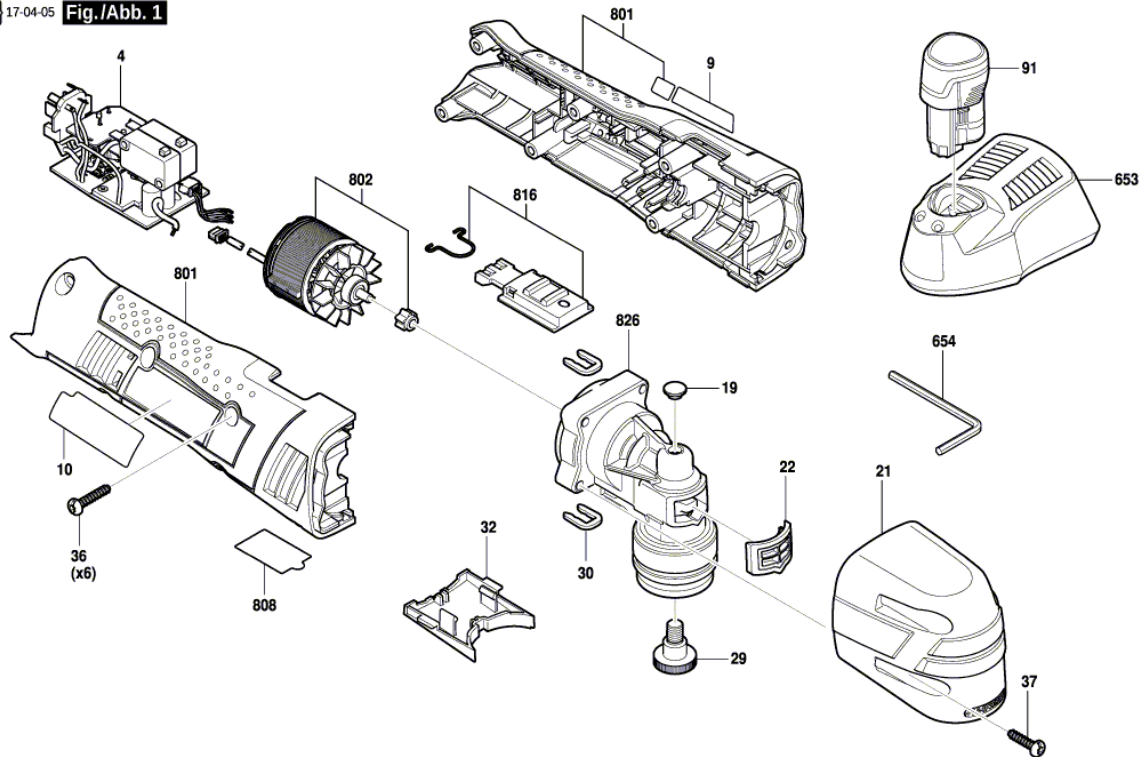
Spare parts list.....	2
Illustration - Type.....	3

Spare parts list

Item	Part Number	Description	Illustration
4	1 607 233 5D5	Electronics Module	1
9	1 601 11C 27G	Manufacturer's nameplate GOP 12V-28	1
10	1 600 A01 L3K	Warning Label	1
19	2 609 170 308	Sealing cap	1
21	2 609 101 760	Cap	1
22	2 609 170 083	Sealing cap	1
29	2 609 112 252	Fastening Screw	1
30	2 609 110 537	Clip	1
32	2 609 101 761	Safety Cover	1
36	2 603 490 023	Torx Oval-Head Screw 4x20	1
37	2 603 490 024	Torx Oval-Head Screw 4x25	1
91	1 607 A35 0C8	Battery Pack BAT 414 10,8/12V 2,0Ah	1
91	2 607 337 237	Battery Pack BAT 415 10,8V712V 2,5AH	1
653	2 607 225 139	Fast Charger USA/CAN 120/10,8-12V/30 MIN.	1
653	2 607 225 519	Fast Charger USA 120/3,6-10,8V,1h	1
654	2 609 110 831	Key	1
801	1 607 000 CJ5	Housing	1
802	1 607 000 CK9	Motor	1
808	1 601 11A 78F	Nameplate	1
816	1 607 000 CJ6	Switch Slide	1
826	1 607 000 CL0	Gear Box	1

Illustration - Type - E

3 601 HB5 010
Issue |
Stand | 17-04-05 **Fig./Abb. 1**



Modifications reserved
Änderungen vorbehalten
Modifications réservées
Salvo modificaciones