



**BOSCH**

# High Frequency Drill

GR.55 | 0 602 120 001

---

## Table of Content

Spare parts list.....	2
Illustration - Type.....	4

# High Frequency Drill | GR.55 | 0 602 120 001

Spare parts list				
Item	Part Number	Description		Illustration
2	1 600 209 011	Seal Ring		1
3	1 604 229 200	Stator	265V/200HZ, 200V/150HZ	1
4	1 600 502 005	Air-Deflector Ring		1
5	3 604 080 020	Rotor		1
5/3	1 606 610 105	Fan		1
6	1 900 900 232	groove ball bearing	5x16x5	1
7	3 600 206 002	Rubber Ring	6MM,Ø12xØ16,4x3MM	1
8	1 900 905 036	groove ball bearing	609 RSY/C3 DIN 625	1
9	3 605 820 006	Bearing Housing		1
9/3	3 600 300 002	Bushing		1
11	1 900 210 146	O-Ring	45x3MM	1
13	1 901 091 012	Socket-Terminal Strip	1x1,5 MM/2	1
14	1 607 200 040	On-Off Switch		1
14/1	2 910 091 082	Pan head screw	DIN 85-M3,5x6-4.8	1
14/2	2 916 060 004	Spring Washer	A 3,5 DIN 137-ST	1
15	3 604 462 058	Power supply cord		1
16	3 600 703 011	Grommet	Ø9,2-Ø12x120 MM	1
17	1 601 302 014	Fastening Clamp		1
18	3 605 132 072	Handle		1
20	3 605 806 034	Spindle Bearing		1
20/2	3 600 300 008	Bushing		1
20/3	2 917 500 122	Straight Pin	4H 8x20 DIN 7	1
21	3 603 124 002	Drilling Spindle	3/8"-24 UNF-2	1
22	1 900 905 100	groove ball bearing	6000 Z DIN 625	1
23	2 916 650 001	Spring retaining ring	DIN 471-10x1MM-FSt	1
24	2 600 108 031	Sealing disk		1
25	3 603 344 013	Threaded Ring	M 28x1 MM LEFTHAND THREADS	1
26	1 606 319 017	Cylindrical Gear	Z=27	1
27	2 600 100 613	Shim	0,50 MM	1
28	1 606 328 094	Spindle With Gear	Z=21/27	1
30	3 601 106 053	Nameplate		1
31	3 603 133 000	Grooved Nail		1
33	3 601 321 001	Clamping Saddle		1
33/1	2 916 010 409	Plain Washer	DIN 46 255-DPG 9	1

## High Frequency Drill | GR.55 | 0 602 120 001

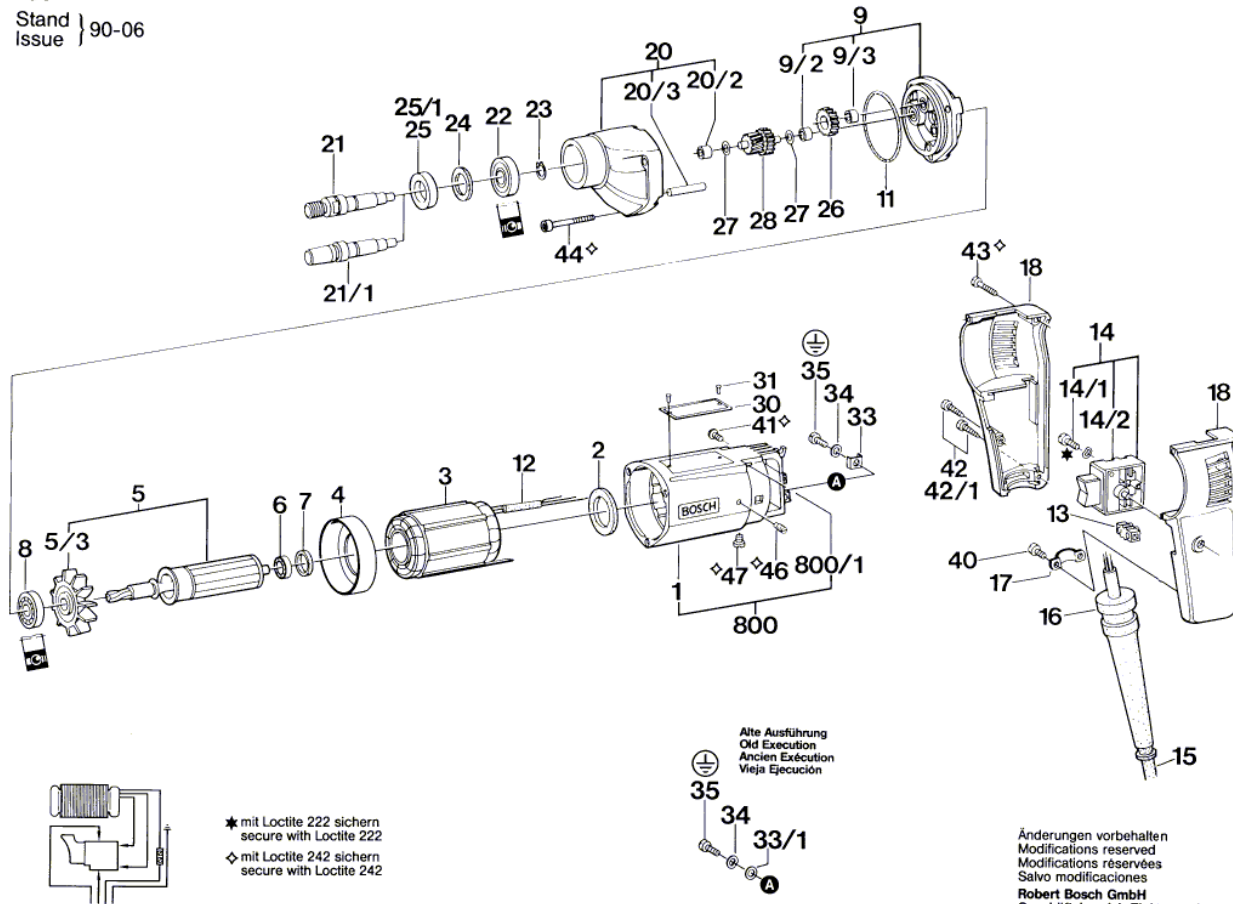
### Spare parts list

Item	Part Number	Description	Illustration
34	3 600 150 006	Spring Washer Ø4,2 MM	1
35	2 910 110 120	Pan head screw DIN 85-AM4x10-MS	1
40	2 910 021 116	Socket head cap screw DIN 84-AM4x6-8.8	1
41	2 910 091 118	Pan head screw DIN 85-AM4x8-4.8	1
42	2 910 211 019	Tapping Screw DIN 7971-ST3,9x16-F	1
43	2 910 011 128	Socket head cap screw DIN 84-AM4x18-5.8	1
44	2 910 141 136	Hex Socket Head Cap Screw DIN 912-M 4x35-8.8	1
46	3 603 402 000	Set screw	1
47	2 910 011 115	Socket head cap screw DIN 84-AM4x5-5.8	1
800	3 605 102 022	Motor Housing	1

Illustration - Type - E

Typ 0 602 120 0 . .

Stand } 90-06  
Issue }



0 602 120 001