



BOSCH

High Frequency Drill

GR.55 | 0 602 120 005

Table of Content

| | |
|--------------------------|---|
| Spare parts list..... | 2 |
| Illustration - Type..... | 4 |

High Frequency Drill | GR.55 | 0 602 120 005

Spare parts list

| Item | Part Number | Description | Illustration |
|------|---------------|--|--------------|
| 2 | 1 600 209 011 | Seal Ring | 1 |
| 3 | 1 604 229 201 | Stator 200V/300HZ,135V/200HZ | 1 |
| 4 | 1 600 502 005 | Air-Deflector Ring | 1 |
| 5 | 3 604 080 020 | Rotor | 1 |
| 5/3 | 1 606 610 105 | Fan | 1 |
| 6 | 1 900 900 232 | groove ball bearing 5x16x5 | 1 |
| 7 | 3 600 206 002 | Rubber Ring 6MM,Ø12xØ16,4x3MM | 1 |
| 8 | 1 900 905 036 | groove ball bearing 609 RSY/C3 DIN 625 | 1 |
| 9 | 3 605 820 006 | Bearing Housing | 1 |
| 9/3 | 3 600 300 002 | Bushing | 1 |
| 11 | 1 900 210 146 | O-Ring 45x3MM | 1 |
| 13 | 1 901 091 012 | Socket-Terminal Strip 1x1,5 MM/2 | 1 |
| 14 | 1 607 200 040 | On-Off Switch | 1 |
| 14/1 | 2 910 091 082 | Pan head screw DIN 85-M3,5x6-4.8 | 1 |
| 14/2 | 2 916 060 004 | Spring Washer A 3,5 DIN 137-ST | 1 |
| 15 | 1 604 422 033 | Power supply cord | 1 |
| 16 | 3 600 703 011 | Grommet Ø9,2-Ø12x120 MM | 1 |
| 17 | 1 601 302 014 | Fastening Clamp | 1 |
| 18 | 3 605 132 072 | Handle | 1 |
| 20 | 3 605 806 034 | Spindle Bearing | 1 |
| 20/2 | 3 600 300 008 | Bushing | 1 |
| 20/3 | 2 917 500 122 | Straight Pin 4H 8x20 DIN 7 | 1 |
| 21 | 3 603 124 002 | Drilling Spindle 3/8"-24 UNF-2 | 1 |
| 22 | 1 900 905 100 | groove ball bearing 6000 Z DIN 625 | 1 |
| 23 | 2 916 650 001 | Spring retaining ring DIN 471-10x1MM-FSt | 1 |
| 24 | 2 600 108 031 | Sealing disk | 1 |
| 25 | 3 603 344 013 | Threaded Ring M 28x1 MM LEFTHAND THREADS | 1 |
| 26 | 1 606 319 017 | Cylindrical Gear Z=27 | 1 |
| 27 | 2 600 100 613 | Shim 0,50 MM | 1 |
| 28 | 1 606 328 094 | Spindle With Gear Z=21/27 | 1 |
| 30 | 3 601 106 053 | Nameplate | 1 |
| 31 | 3 603 133 000 | Grooved Nail | 1 |
| 33 | 3 601 321 001 | Clamping Saddle | 1 |
| 33/1 | 2 916 010 409 | Plain Washer DIN 46 255-DPG 9 | 1 |

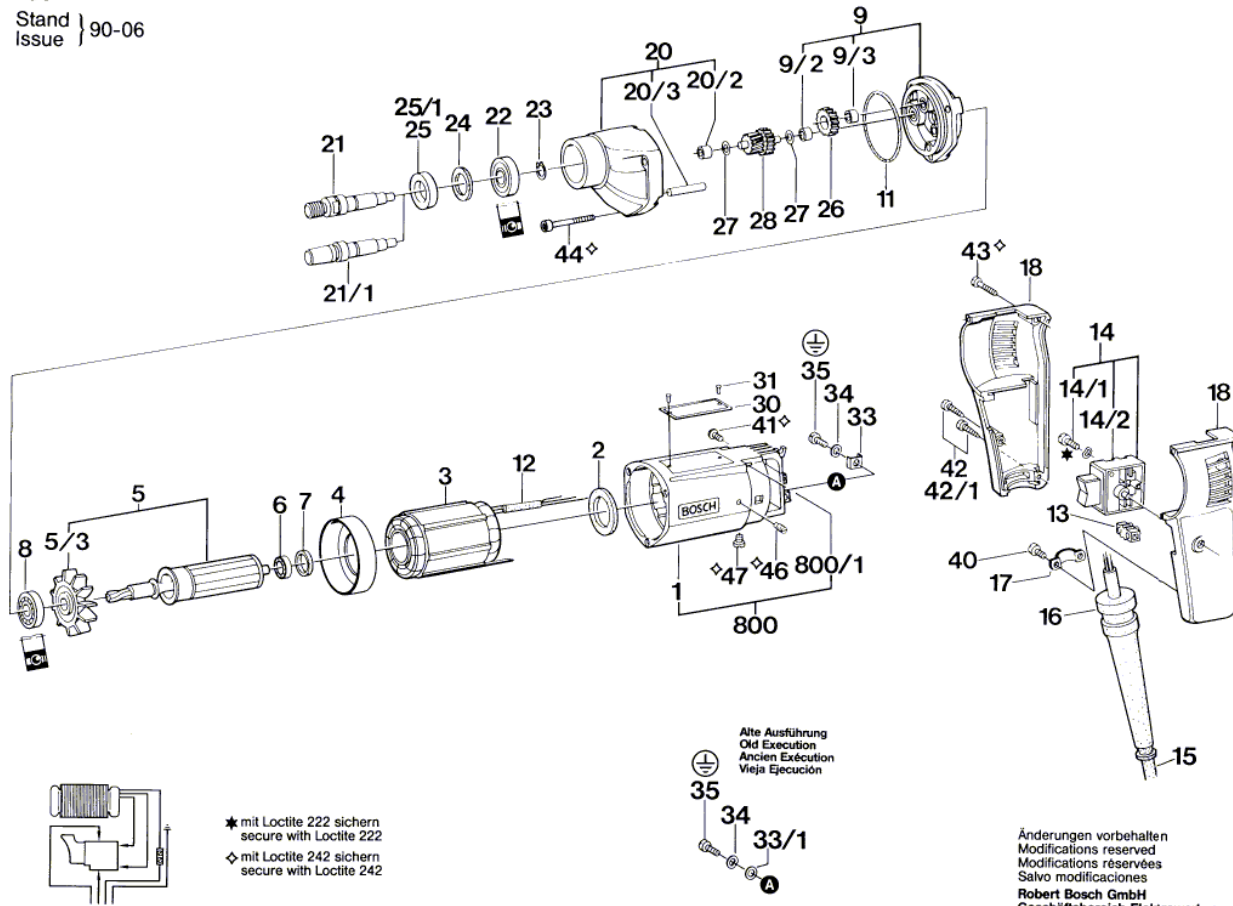
Spare parts list

| Item | Part Number | Description | Illustration |
|------|---------------|--|--------------|
| 34 | 3 600 150 006 | Spring Washer Ø4,2 MM | 1 |
| 35 | 2 910 110 120 | Pan head screw DIN 85-AM4x10-MS | 1 |
| 40 | 2 910 021 116 | Socket head cap screw DIN 84-AM4x6-8.8 | 1 |
| 41 | 2 910 091 118 | Pan head screw DIN 85-AM4x8-4.8 | 1 |
| 42 | 2 910 211 019 | Tapping Screw DIN 7971-ST3,9x16-F | 1 |
| 43 | 2 910 011 128 | Socket head cap screw DIN 84-AM4x18-5.8 | 1 |
| 44 | 2 910 141 136 | Hex Socket Head Cap Screw DIN 912-M 4x35-8.8 | 1 |
| 46 | 3 603 402 000 | Set screw | 1 |
| 47 | 2 910 011 115 | Socket head cap screw DIN 84-AM4x5-5.8 | 1 |
| 800 | 3 605 102 022 | Motor Housing | 1 |

Illustration - Type - E

Typ 0 602 120 0 . .

Stand } 90-06
Issue }



0 602 120 001