



BOSCH

Laser Level

GRL4000-90CHVG | 3 601 K61 V10

Table of Content

Spare parts list.....	2
Illustration - Type.....	5

Spare parts list

Item	Part Number	Description	Illustration
1	1 619 PB4 473	Screw	1
2	1 619 PB4 474	Protective Cap	1
3	1 619 PB4 475	Screw	1
4	1 619 PB4 476	End Plate	1
5	1 619 PB4 477	mat seal	1
6	1 619 PB4 478	Window	1
7	1 619 PB4 479	Screw	1
8	1 619 PB6 770	Cage	1
9	1 619 PB4 481	mat seal	1
10	1 619 PB4 482	Window	1
11	1 619 PB4 483	mat seal	1
12	1 619 PB4 484	Screw	1
13	1 619 PB4 485	Special Washer	1
14	1 619 PB4 486	Handle	1
15	1 619 PB4 487	Upper Housing	1
16	1 619 PB4 488	Control Panel	1
17	1 619 PB4 489	cover	1
18	1 619 PB4 490	Screw-In Nut	1
19	1 619 PB4 491	Lcd-Display	1
20	1 619 PB4 492	Screw	1
21	1 619 PB4 493	Printed-Board Assembly	1
22	1 619 PB4 494	Screw-In Nut	1
23	1 619 PB4 495	Screw	1
53	1 619 PB6 805	Sticker	1
62	1 619 PB4 753	Plastic Film	1
657	1 619 PB4 632	Strap	1
659	1 619 PB6 776	Target	1
802	1 619 PB7 381	Laser detector	1
803	1 619 PB4 762	Remote Control Unit	1
24	1 619 PB4 496	Printed-Board Assembly	2
25	1 619 PB4 497	Printed-Board Assembly	2
26	1 619 PB4 498	Screw	2
27	1 619 PB4 499	Screw	2
28	1 619 PB8 700	Assembly	2
29	1 619 PB4 501	Assembly	2

Spare parts list

Item	Part Number	Description	Illustration	
30	1 619 PB4 502	Hex Socket Head Cap Screw	2	
31	1 619 PB4 503	Flexible Pcb	2	
32	1 619 PB4 504	mat seal	2	
33	1 619 PB4 505	Printed-Board Assembly	2	
34	1 619 PB4 506	Flexible Pcb	2	
35	1 619 PB4 507	Plastic Insert	2	
36	1 619 PB4 508	Battery Cover	2	
37	1 619 PB4 509	mat seal	2	
38	1 619 PB4 510	Battery Holder	2	
39	1 619 PB4 511	Plastic Insert	2	
40	1 619 PB4 512	Gas Filter	2	
41	1 619 PB4 513	Upper Housing	2	
42	1 619 PB4 514	mat seal	2	
43	1 619 PB4 515	Base Plate	2	
44	1 619 PB4 516	Slide Plate	2	
45	1 619 PB4 517	Battery Cover	2	
46	1 619 PB4 518	Steel Rod For Springs	2	
47	1 619 PB4 519	Plain Washer	2	
48	1 619 PB4 520	Wave spring	2	
49	1 619 PB4 521	Ring	2	
50	1 619 PB4 522	Hinge	2	
51	1 619 PB4 523	Sealing washer	2	
52	1 619 PB4 524	Screw	2	
54	1 619 PB4 526	Spring Washer	2	
55	1 619 PB4 527	Screw	2	
56	1 619 PB4 528	Handle	2	
57	1 619 PB4 529	Compression Spring	2	
58	1 619 PB4 530	Push rod body	2	
59	1 619 PB4 531	Cover	2	
60	1 619 PB6 806	Manufacturer's nameplate	2	
651	1 607 A35 0AP	Battery Pack ProCore SCM	USA GBA18V40 18V 4.0Ah	2
653	2 607 226 257	Fast Charger	USA GAL 18V-40 120V/ 4A/ 10.8-18V	2
655	1 600 A01 U4H	Mounting Bracket		2
656	1 600 A01 U4K	Holder		2

Spare parts list

Item	Part Number	Description	Illustration
801	1 619 PB4 763	Mounting Tool	2

Illustration - Type - E

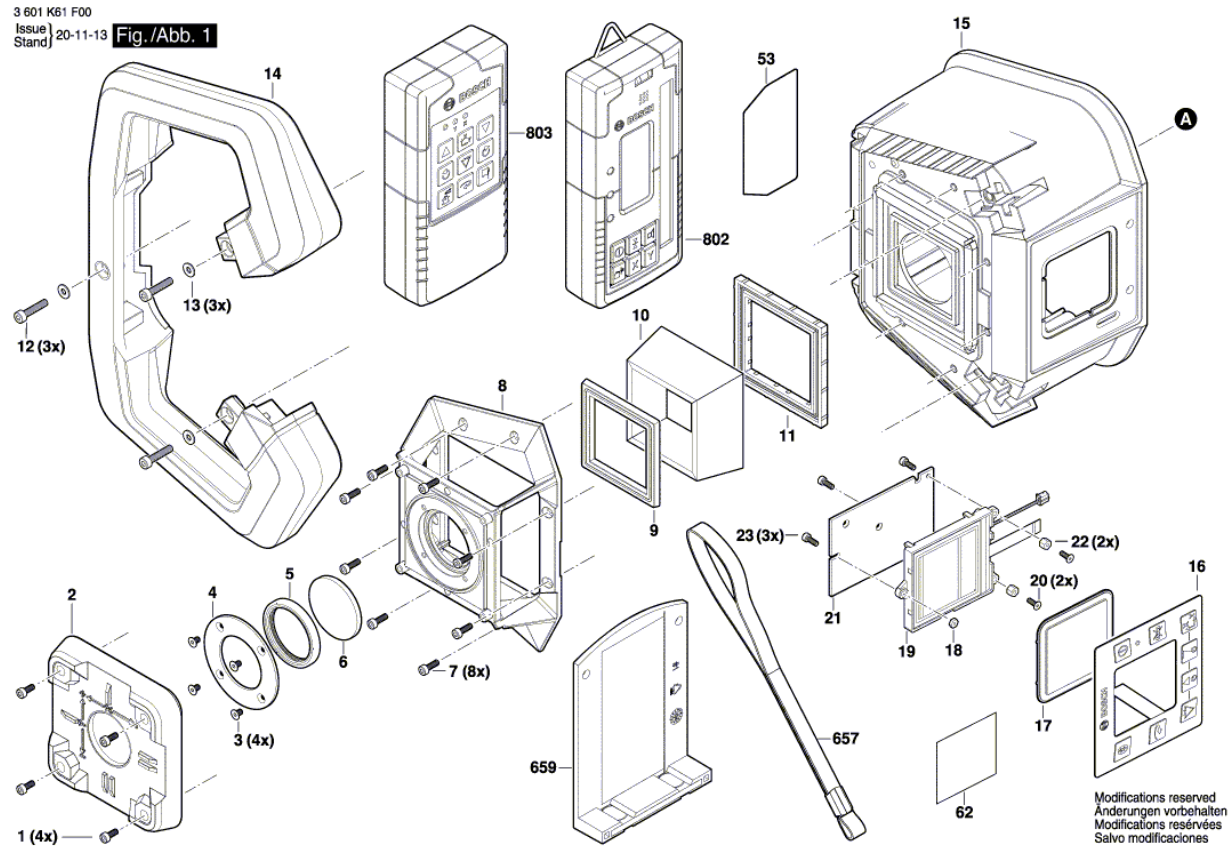


Illustration - Type - E

3 601 K61 F00
 Issue | 20-09-03
 Stand | Fig./Abb. 2

