



**BOSCH**

# Laser Level

GRL 500 H | 3 601 K61 A12

---

## Table of Content

Spare parts list.....	2
Illustration - Type.....	4

**Spare parts list**

<b>Item</b>	<b>Part Number</b>	<b>Description</b>	<b>Illustration</b>
1	2 610 A15 836	Upper Housing	1
2	2 610 A16 109	Housing Assembly	1
3	2 610 A15 840	Housing Assembly      Li-Ion 7.4V 3000mAh / 22,2Wh	1
5/1	1 605 108 2MT	Motor Housing	1
5/10	2 610 A13 399	Limit Switch	1
5/1/14	2 610 A13 249	Motor-gearbox assembly	1
5/1/14/7	2 610 A12 302	Motor Plate	1
5/1/17	2 610 A12 275	Hex Socket Head Cap Screw	1
5/1/18	2 610 A12 283	Extension Spring	1
5/1/19	2 610 A13 065	Extension Spring	1
5/3	2 610 A13 397	Limit Switch	1
5/4	2 610 A12 269	Special Washer	1
5/5	2 610 A12 272	Hex Socket Head Cap Screw	1
5/6	2 610 A12 284	Hex Socket Head Cap Screw	1
5/8	2 610 A12 301	Tapping Screw	1
10	2 610 A15 846	Handle	1
11	2 610 A14 201	Window	1
12	2 610 A15 857	Cage	1
13	2 610 A14 928	Rubber Gasket	1
14	2 610 A14 929	Rubber Gasket	1
15	2 610 A15 869	mat seal	1
16	2 610 A15 870	mat seal	1
17	2 610 A16 107	Cable	1
18	2 610 A12 359	Flexible Pcb	1
19	1 600 A00 H57	Printed-Board Assembly	1
20	2 609 136 282	Nameplate	1
21	2 610 A15 888	Adhesive Label	1
22	2 610 A15 889	Adhesive Label	1
24	2 610 A12 270	Set screw	1
25	2 610 A07 331	Screw	1
26	2 610 A14 967	Screw	1
801	1 600 A01 NM5	Leveling element	1
802	2 610 A16 051	ball sleeve	1
804	2 610 A16 472	prism support	1

**Spare parts list**

<b>Item</b>	<b>Part Number</b>	<b>Description</b>	<b>Illustration</b>
805/1	2 610 A16 480	Motor Housing	1
805/1/14	1 600 A01 R7V	Motor-gearbox assembly	1
811	2 610 A15 826	Battery Pack	1
832	1 600 A02 0PB	Leveling element	1
890	1 600 A02 0RE	Laser detector	1
603	2 610 A16 715	Power supply unit USA 110V	2
604/1	2 610 A15 904	Mounting Bracket	2
604/2	2 610 A14 830	Clamp Bracket	2
691	2 610 A16 699	Carrying Case	2

Illustration - Type - E

3 601 K61 A12  
 Issue | 20-04  
 Stand | 20-12-04

Fig. /Abb. 1

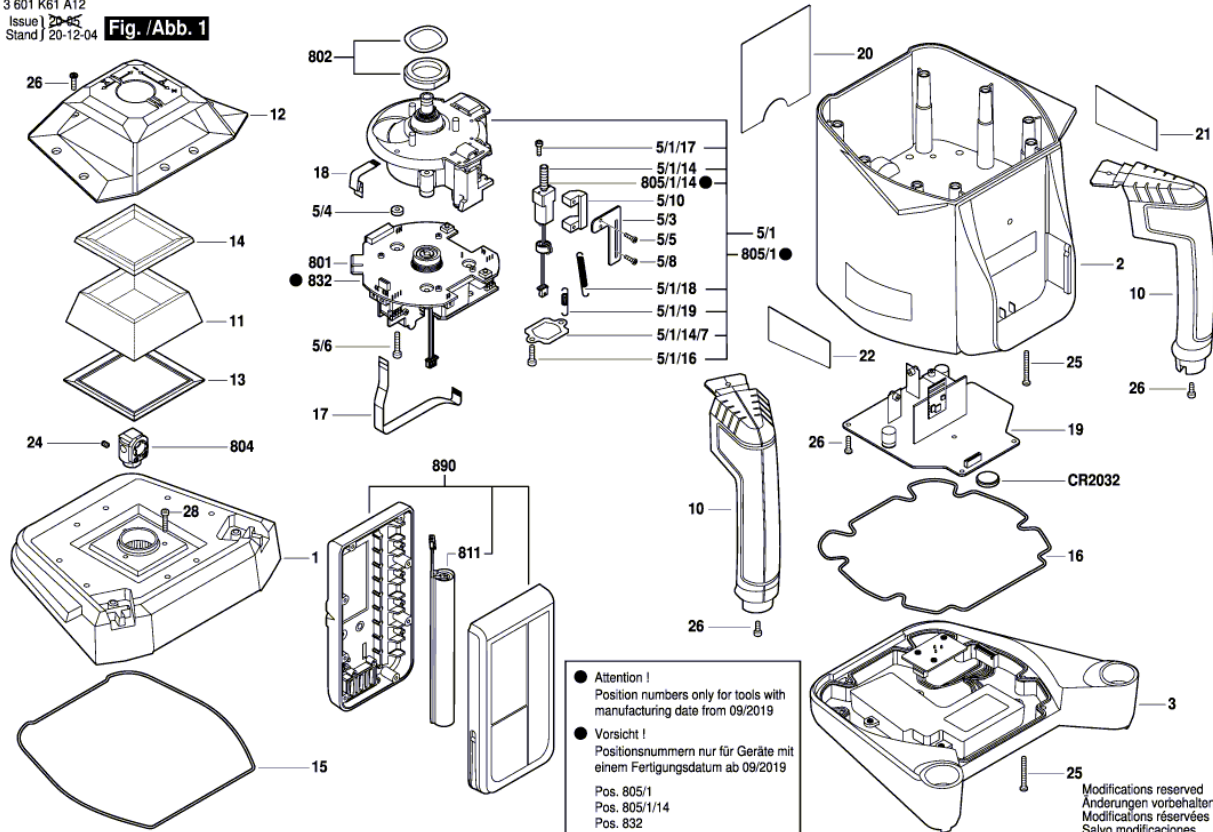
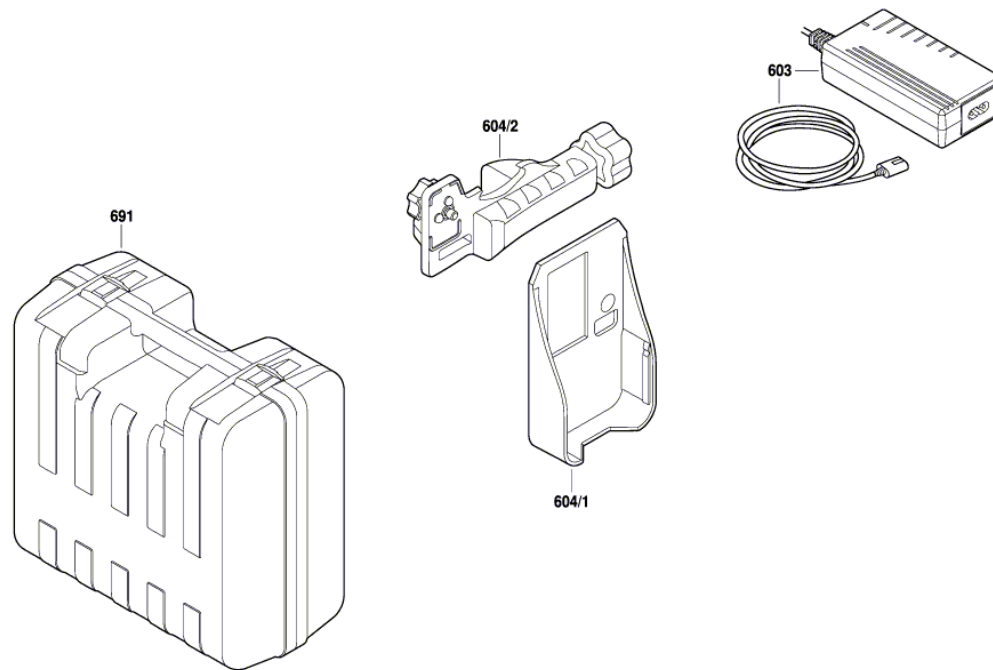


Illustration - Type - E

3 601 K61 A12  
Issue }  
Stand } 14-11-12 **Fig./Abb. 2**



Modifications reserved  
Änderungen vorbehalten  
Modifications réservées  
Salvo modificaciones