

Percussion Drill - 0 601 194 703 - GSB 20-2 RE

www.powertools-aftersaleservice.com



BOSCH

Item	Part Number	Description	Illustration	Price	Quantity	Price Group
	1 2 605 104 309	Motor Housing BLUE	1	-,-	1	31
	2 1 604 220 254	Field 220-240V	1	-,-	1	30
	3 2 604 010 739	Armature 230-240V	1	-,-	1	38
3/60	2 606 610 029	Fan	1	-,-	1	13
	4 2 607 200 209	Switch	1	-,-	1	36
	6 2 600 707 059	Grommet Ø6,9 MM	1	-,-	1	13
	7 2 601 035 001	Cable Clip	1	-,-	1	11
	9 2 601 118 694	Manufacturer's nameplate SUNNY SIDE	1	-,-	1	15
	12 2 607 329 114	Suppression Filter	1	-,-	1	21
	13 1 900 905 018	Ball Bearing 7x22x7	1	-,-	1	28
	16 2 604 337 003	Brush Holder	1	-,-	2	12
	18 2 603 410 001	Socket head cap screw M3x6,5-4.8	1	-,-	2	11
	19 2 603 490 022	Screw 4x16	1	-,-	4	10
	20 2 601 118 697	Reference Plate SHADOW SIDE	1	-,-	1	17
	24 2 606 135 032	Drilling Spindle 1/2",SW 17	1	-,-	1	30
	26 2 604 616 002	Compression Spring	1	-,-	1	11
	27 1 900 905 163	groove ball bearing 17x35x10	1	-,-	1	23
	28 2 916 660 014	Spring retaining ring DIN 472 35x1,5 MM	1	-,-	1	12
	29 2 916 650 008	Spring retaining ring DIN 471 17x1 MM	1	-,-	1	11
	30 2 602 300 028	Flat Key	1	-,-	2	17
	31 2 600 101 671	Retaining Washer	1	-,-	1	11
	32 2 600 101 515	Shim 1,0 MM	1	-,-	1	12
	33 2 606 317 045	Cylindrical Gear Z=48	1	-,-	1	27
	34 2 606 317 037	Cylindrical Gear Z=36	1	-,-	1	32
	35 2 600 101 616	Shim 0,5 MM	1	-,-	2	14
	35 2 600 101 617	Shim 0,3 MM	1	-,-	1	11
	36 2 600 190 052	Catch Disk	1	-,-	1	21
	37 2 600 190 057	Catch Disk	1	-,-	1	25
	38 2 600 917 003	Needle-Roller Bearing Ø8x8 MM	1	-,-	1	14
	39 2 600 000 012	Shim washer 0,2 MM	1	-,-	1	10
	39 2 600 000 014	Shim washer 0,5 MM	1	-,-	1	11
	39 2 600 000 030	Shim washer 1,35 MM	1	-,-	1	11
	40 1 903 230 010	Ball DIN 5401-5,5MM-III-ST	1	-,-	1	10

Item	Part Number	Description	Illustration	Price	Quantity	Price Group
41	2 602 026 017	Rotary Knob		1	-,-	1 20
42	2 917 780 105	Slotted Spring Pin 4x30 MM DIN 7346		1	-,-	1 10
44	2 601 328 033	Cover Disc		1	-,-	1 15
45	2 603 435 086	Tapping Screw		1	-,-	4 10
46	2 605 132 049	Housing Cover BLUE		1	-,-	1 20
47	2 604 465 097	Suppression Filter L=126 MM WHITE		1	-,-	1 18
48	2 603 490 017	Torx Oval-Head Screw 3x10		1	-,-	4 10
49	2 600 150 004	Shim		1	-,-	1 12
50	2 600 101 027	Shim washer 0,3 MM		1	-,-	1 11
50	2 600 101 665	Shim washer 0,2 MM		1	-,-	1 11
50	2 600 101 667	Shim washer 0,5 MM		1	-,-	1 11
51	2 604 448 005	Cable L=130 MM WHITE		1	-,-	1 11
52	2 604 448 097	Earth Conductor		1	-,-	1 13
54	2 916 660 008	Spring retaining ring DIN 472-24x1,2 MM		1	-,-	1 11
55	2 600 500 002	Cupped Washer		1	-,-	1 11
56	2 600 108 077	Felt Washer		1	-,-	1 11
57	2 600 400 008	Receptacle		1	-,-	1 11
61	2 600 100 607	Shim 0,3 MM		1	-,-	3 11
62	2 600 914 010	Needle-Roller Bearing Ø6 MM		1	-,-	2 14
63	2 603 435 070	Headless Screw		1	-,-	2 12
64	2 603 435 071	Headless Screw 65 MM		1	-,-	2 15
66	2 602 033 006	Adjusting Slide		1	-,-	1 14
68	2 600 100 618	Shim washer		1	-,-	1 11
69	2 602 026 038	Rotary Knob BLACK		1	-,-	1 18
71	2 600 590 006	Ratchet Cap		1	-,-	2 11
72	2 601 073 012	Gasket		1	-,-	1 11
73	2 604 448 146	Connecting Cable L=110 MM WHITE		1	-,-	1 11
75	2 603 490 024	Torx Oval-Head Screw 4x25		1	-,-	1 11
77	2 604 448 100	Connecting Cable L=68 MM WHITE		1	-,-	1 10
78	2 604 448 239	Connecting Cable		1	-,-	1 14
79/800	2 607 950 007	Chuck Wrench SG2		1	-,-	1 19
80	2 603 421 209	Countersunk-Head Screw M6x31 MM LEFTHAND THREADS		1	-,-	1 11
81	2 604 601 004	Retaining ring		1	-,-	1 11
85	2 604 465 086	Suppression Filter L=148 MM BLACK		1	-,-	1 18
753	1 612 025 031	Auxiliary Handle Ø43 MM BLACK		2	-,-	1 24
753/20	2 915 011 007	Hex Nut DIN 934-M6-8-A		2	-,-	2 10
753/30	1 613 480 007	Wing Screw M6x(15)55		2	-,-	1 11
753/50	2 608 040 014	Clamping Plate M6		2	-,-	1 14
753/60	1 613 480 008	Wing Screw M6x20 MM		2	-,-	1 11
754	2 603 001 019	Depth-Gauge		2	-,-	1 -
779	1 608 571 080	Key Chuck Ø1,5-13 MM		1	-,-	1 32
805	1 607 000 385	Power supply cord EU 2,6m 2 x 1,0 mm		1	-,-	1 26
810	2 604 321 905	Carbon-Brush Set		1	-,-	1 23
814	2 600 905 039	groove ball bearing 9x24x7		1	-,-	1 26
825	2 605 806 990	Gear Housing BLUE		1	-,-	1 30
843	2 605 700 936	Intermediate Flange		1	-,-	1 38
853	2 607 200 231	Change-Over Switch		1	-,-	1 25
859	2 606 100 903	Toothed Shaft Z= 10/22/29		1	-,-	1 31
865	2 601 110 076	Sticker DRILL/IMPACT DRILL		1	-,-	1 11
867	2 916 080 007	Locking Washer DIN 6799-4-FSt		1	-,-	1 12
870	2 607 010 226	Parts Set		1	-,-	1 13
888	1 601 11A 3H3	Nameplate		1	-,-	1 13

Illustration - Type E

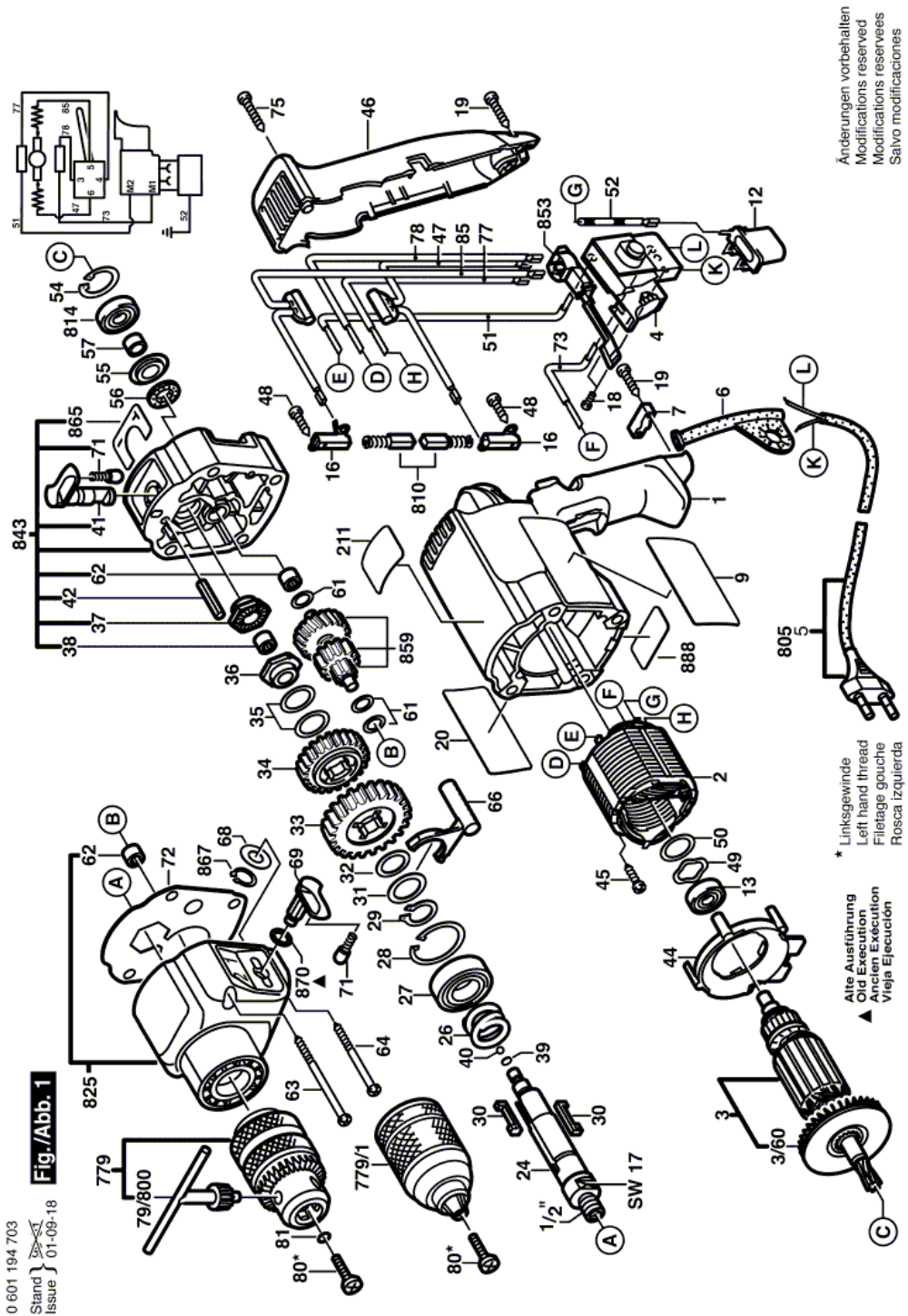
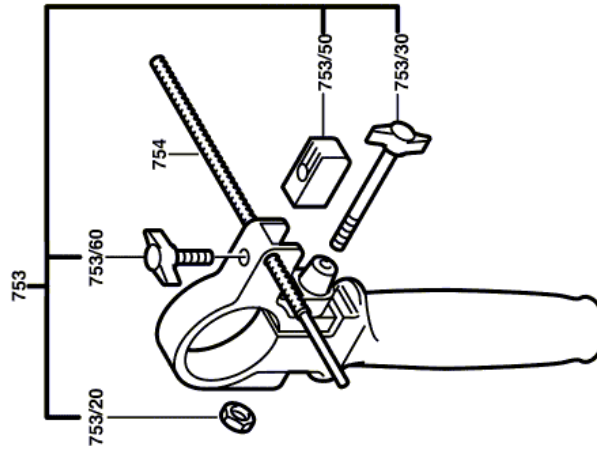


Illustration - Type E



0 601 194 703
Stand }
Issue } 99-01-14
Fig./Abb. 2

Änderungen vorbehalten
Modifications reserved
Modificacions reserves
Salvo modificaciones

Information subject to change without further notice.