



BOSCH

Cordl Perc Screwdr

GSB 12V-30 | 3 601 JG9 180

Table of Content

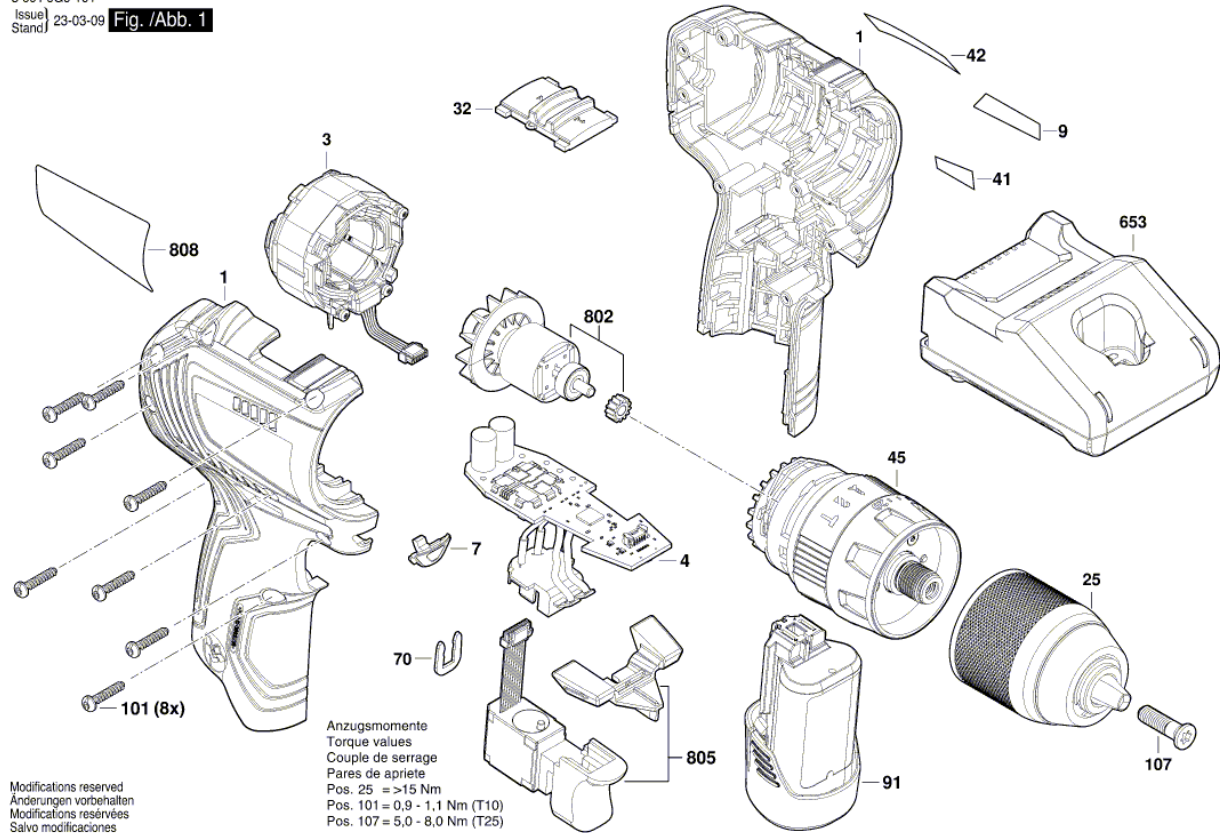
Spare parts list.....	2
Illustration - Type.....	3

Spare parts list

Item	Part Number	Description	
1	1 605 806 5LV	Housing	
3	1 619 P14 586	Stator	
4	1 607 233 5EZ	Electronic Module	
7	2 609 101 035	Lens	
9	1 601 11C 2RH	Manufacturer's nameplate	GSB12V-30
25	1 600 A02 9MM	Keyless Chuck	
32	1 600 A01 2MM	Switchover Unit	
41	1 601 11C 25W	Sticker	
42	1 601 11C 2M4	Sticker	
45	1 600 A01 2MP	Gear Box	
70	2 609 110 537	Clip	
91	1 607 A35 0C5	Battery Pack	GBA 12V 2.0Ah Li SCM
91	1 607 A35 0C9	Battery Pack	GBA 10.8V 2.0Ah Li SCM
101	2 609 110 201	Torx Flat-Head Screw	3x16
107	2 603 421 229	Countersunk-Head Screw LEFTHAND THREADS	M6x23
653	2 607 226 219	Fast Charger	EU GAL 12V-40
653	2 607 226 221	Fast Charger 10,8-12V 4A	GAL 12V-40 220V-240V
653	2 607 226 235	Fast Charger	CN GAL 12V-40
653	2 607 226 239	Fast Charger	
802	1 600 A01 C9M	Motor Spare Parts Set	
805	1 607 200 37K	Switch	
808	1 601 11A 627	Nameplate	

Illustration - Type - E

3 601 JG9 101
 Issue/ Stand/ 23-03-09 **Fig. /Abb. 1**



Modifications reserved
 Änderungen vorbehalten
 Modifications réservées
 Salvo modificaciones