



BOSCH

Cordl Perc Screwdr

GSB 18V-150 C | 3 601 JJ5 180

Table of Content

Spare parts list.....	2
Illustration - Type.....	3

Spare parts list

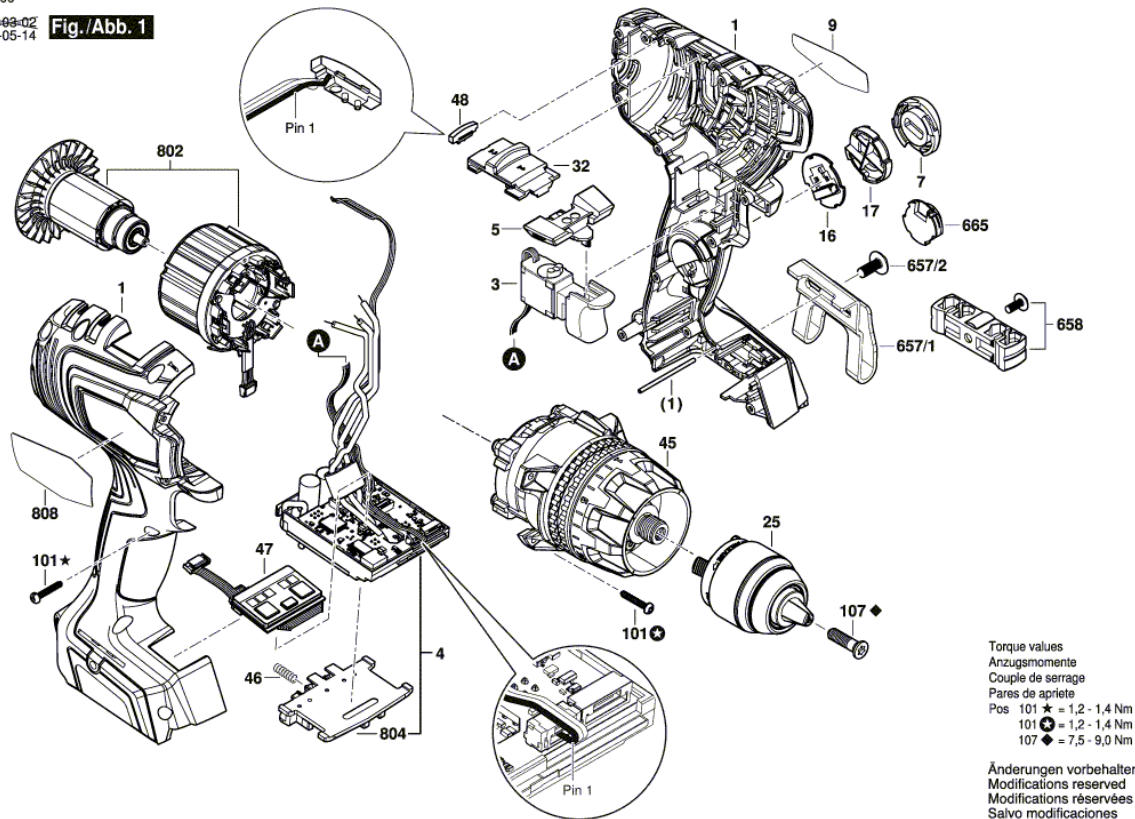
Item	Part Number	Description	
1	1 600 A01 3TC	Housing	
3	2 607 202 501	Switch	
4	1 607 233 5G8	Electronic Module	
5	1 600 A01 RH7	Changeover Lever	
7	1 600 A01 TN9	Cover unit	
9	1 601 11C 3BV	Manufacturer's nameplate	
16	1 600 A01 6CZ	Electronics Module	
17	1 600 A01 6ML	Cover Panel	
25	1 600 A02 HZ9	Keyless Chuck	
32	1 600 A01 C95	Switchover Unit	
45	1 600 A01 26S	Gear Box	
46	1 609 280 477	Compression Spring	
47	1 607 233 5LS	Electronic Module	
48	1 607 233 5LY	Electronic Module	
101	2 609 110 353	Torx Oval-Head Screw	
107	2 603 421 229	Countersunk-Head Screw LEFTHAND THREADS	M6x23
657/1	2 609 111 584	Clip	
657/2	2 609 110 834	Screw	
658	2 609 199 748	Bit holder	
665	1 600 A01 ZE2	Electronics Module	
802	1 600 A02 4CL	Brushless DC motor	
804	1 609 280 820	Contact retainer	18V
808	1 601 11A 846	Nameplate	
662	1 602 025 07Y	Auxiliary Handle	

Illustration - Type - E

3 601 JJ5 100

Stand } 21-03-02
Issue } 21-05-14

Fig./Abb. 1

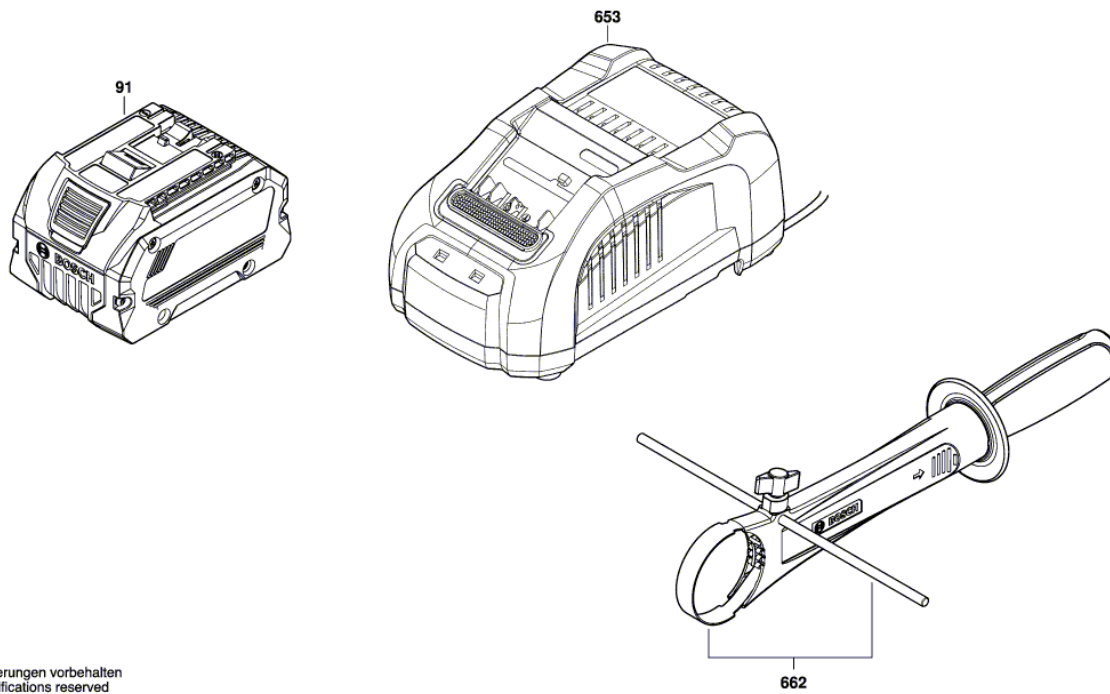


Torque values
Anzugsmomente
Couple de serrage
Pares de apriete
Pos 101 ★ = 1,2 - 1,4 Nm
101 ◉ = 1,2 - 1,4 Nm
107 ◆ = 7,5 - 9,0 Nm

Änderungen vorbehalten
Modifications reserved
Modifications réservées
Salvo modificaciones

Illustration - Type - E

3 601 JJ5 100
Stand } 21-02-25 **Fig./Abb. 2**
Issue }



Änderungen vorbehalten
Modifications reserved
Modifications réservées
Salvo modificaciones