

Shears - 3 601 E00 5E0 - GSC75-16

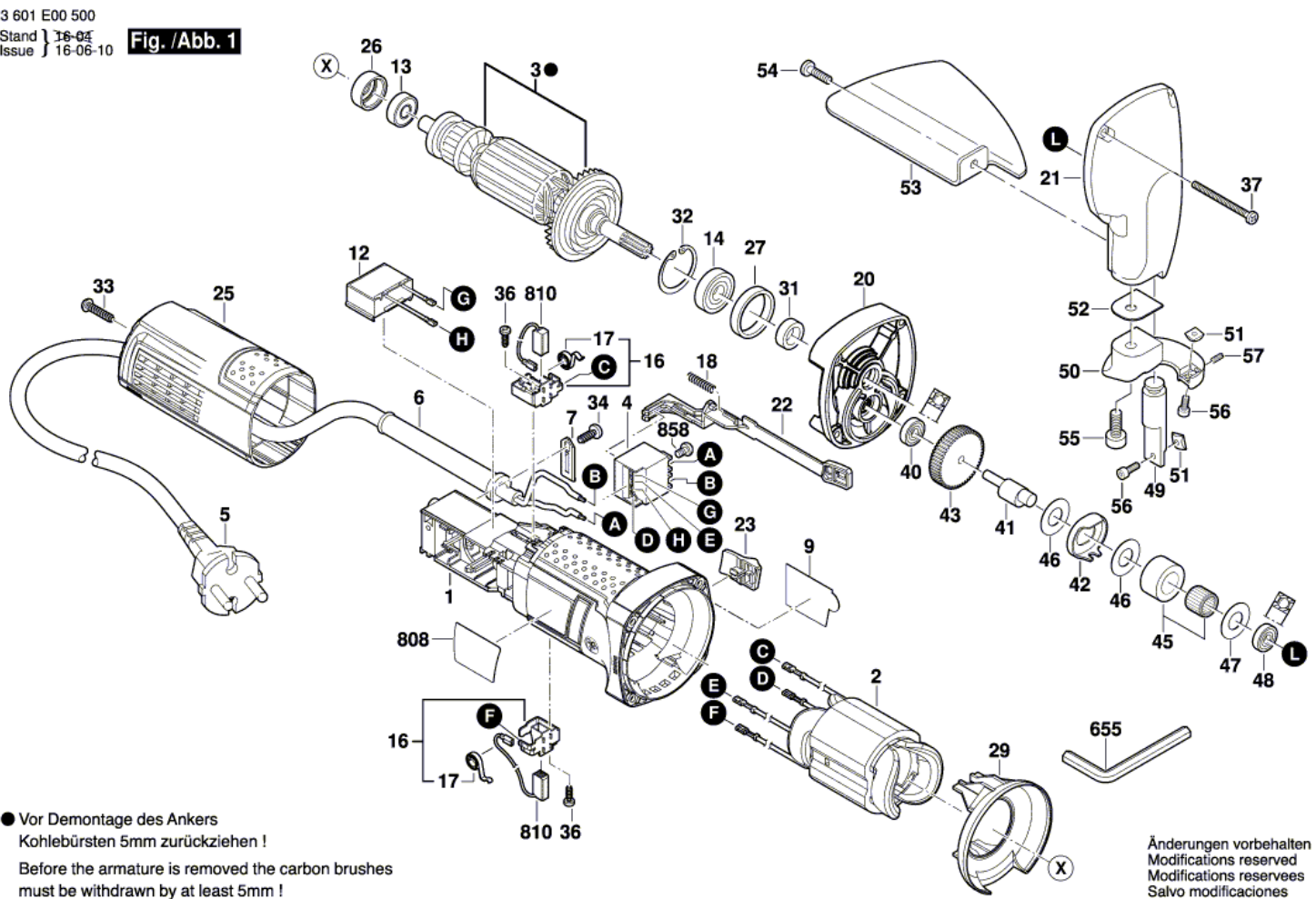
www.powertools-aftersaleservice.com



BOSCH

Item	Part Number	Description	Illustration	Price	Quantity	Price Group
1	1 619 P10 958	Motor Housing	1	-,-	1	17
2	1 619 P08 334	Field 220-240V	1	-,-	1	29
3	1 604 010 B5S	Armature	1	-,-	1	40
4	1 607 200 238	Switch	1	-,-	1	22
5	3 604 460 191	Power supply cord	1	-,-	1	33
6	2 600 703 011	Grommet Ø8,3-Ø9,4x95 MM	1	-,-	1	14
7	1 601 302 017	Fastening Clamp	1	-,-	1	10
12	1 619 P02 827	Suppression Filter	1	-,-	1	18
13	1 619 P00 456	Ball Bearing 7x19x6 MM	1	-,-	1	14
14	1 610 900 026	groove ball bearing 8x24x8	1	-,-	1	24
16	1 619 P01 811	Brush Holder	1	-,-	2	14
17	1 604 652 013	Spiral Spring	1	-,-	2	11
18	1 619 P11 487	Compression Spring	1	-,-	1	10
21	3 605 106 105	Transmission Case	1	-,-	1	40
22	1 619 P10 967	Adjusting Slide	1	-,-	1	10
23	1 619 P10 969	Switch Button	1	-,-	1	10
25	1 619 P10 963	Housing Cover	1	-,-	1	15
26	1 600 206 036	Rubber Ring	1	-,-	1	11
27	3 600 206 015	Rubber Ring	1	-,-	1	12
29	1 619 P10 970	Air-Deflector Ring	1	-,-	1	10
31	3 600 300 079	Bushing	1	-,-	1	21
32	3 600 283 046	Spring retaining ring	1	-,-	1	12
33	2 603 490 023	Torx Oval-Head Screw 4x20	1	-,-	1	10
34	2 603 490 021	Torx Oval-Head Screw 4x12	1	-,-	1	10
36	1 613 435 034	Lens Head Screw 3x10 ST	1	-,-	2	10
37	1 619 P09 645	Torx Oval-Head Screw	1	-,-	4	10
40	3 600 905 141	groove ball bearing 5x16x5	1	-,-	1	19
41	3 600 109 016	Eccentric Shaft	1	-,-	1	29
42	3 602 311 052	U-Sheet	1	-,-	1	14
43	3 606 316 096	Cylindrical Gear	1	-,-	1	22
45	3 600 905 158	Track-Supporting Roller	1	-,-	1	30
46	3 600 102 049	Shim ring	1	-,-	2	13
47	3 607 233 009	Shim ring	1	-,-	1	12

Item	Part Number	Description	Illustration	Price	Quantity	Price Group
48	1 900 900 228	groove ball bearing 8x22x7	1	-,-	1	20
49	3 602 317 041	Tappet	1	-,-	1	29
50	3 606 455 042	Cutting Table	1	-,-	1	41
51	3 607 031 834	Set of knives	1	-,-	1	40
52	3 602 311 047	Plain Washer 0,2 mm	1	-,-	1	11
52	3 602 311 048	Plain Washer 0,4mm	1	-,-	1	10
52	3 602 311 049	Plain Washer 0,6mm	1	-,-	1	10
53	3 607 233 025	Chip Deflector	1	-,-	1	30
54	3 603 391 007	Thread-forming tap. Screw DIN 7500-UM5x10-ST	1	-,-	1	13
55	2 910 401 289	Hex Socket Head Cap Screw DIN 912-M10x20-12.9	1	-,-	1	11
56	2 910 401 118	Hex Socket Head Cap Screw DIN 912-M4x8-12.9	1	-,-	2	13
57	2 912 040 118	Set screw DIN 913-M4x8	1	-,-	1	11
655	1 907 950 004	Offset Screwdriver DIN 911, SW3	1	-,-	1	16
810	1 619 P11 715	Carbon-Brush Set	1	-,-	1	18
858	2 910 641 081	Oval-Head Screw DIN7985-M3,5x5-4.8-H	1	-,-	1	10



Information subject to change without further notice.