



**BOSCH**

# Demolition Hammer

GSH 11 E | 0 611 316 743

---

## Table of Content

|                          |   |
|--------------------------|---|
| Spare parts list.....    | 2 |
| Illustration - Type..... | 5 |

## Spare parts list

| Item | Part Number   | Description                                   |
|------|---------------|---|
| 1    | 1 615 108 091 | Motor Housing BLUE                            |
| 2    | 1 604 220 52J | Field 230V                                    |
| 4    | 1 617 200 048 | Switch  |
| 4/10 | 2 910 011 088 | Socket head cap screw DIN 84-AM3,5x12-5.8     |
| 5    | 1 614 460 075 | Power supply cord CN 4,15m 2 x 1,0mm H07 RN-F |
| 6    | 1 610 703 053 | Grommet Ø9,7-Ø12x89 MM                        |
| 7    | 1 601 302 019 | Fastening Clamp                               |
| 9    | 1 601 11C 0U1 | Manufacturer's nameplate                      |
| 13   | 2 610 909 310 | groove ball bearing                           |
| 14   | 1 610 910 096 | Needle-Roller Bearing                         |
| 15   | 1 616 610 083 | Fan   |
| 16   | 1 610 499 022 | Ratchet Sleeve                                |
| 17   | 1 610 590 004 | Retaining snap ring                           |
| 18   | 1 610 119 010 | Spring retaining ring                         |
| 19   | 1 619 P13 963 | Clamping-Flange                               |
| 20   | 1 618 597 067 | Toolholder                                    |
| 21   | 1 610 508 025 | Protective Cap                                |
| 22   | 1 610 499 023 | Protection Sleeve                             |
| 23   | 1 610 521 011 | Stop Sleeve                                   |
| 25   | 1 612 300 025 | Stopping Device                               |
| 26   | 1 610 290 027 | Indexing Disk                                 |
| 27   | 2 910 151 246 | Hex Socket Head Cap Screw DIN 912-M8x30-10.9  |
| 28   | 1 614 621 002 | Compression Spring                            |
| 29   | 1 614 621 003 | Compression Spring                            |
| 30   | 1 610 210 147 | O-Ring 79,5x2,65 MM                           |
| 31   | 1 610 290 026 | Damping Ring                                  |
| 34   | 1 610 390 029 | Spacer Tube                                   |
| 35   | 1 615 806 108 | Hammer Pipe                                   |
| 36   | 1 610 210 127 | O-Ring 64,0x2,5 MM                            |
| 37   | 1 610 210 128 | O-Ring 35,0x3,0 MM                            |
| 38   | 1 615 190 093 | Covering hood                                 |
| 39   | 1 600 A01 MK9 | Rotary shaft lip seal                         |
| 41   | 1 618 710 071 | Striker Pin                                   |

## Spare parts list

| Item  | Part Number   | Description                         |               |
|-------|---------------|-------------------------------------|---------------|
| 43    | 1 615 808 083 | Bearing cover                       | BLUE          |
| 54    | 1 610 190 019 | Control Disc                        |               |
| 55    | 1 610 420 005 | Control Bushing                     |               |
| 56    | 1 618 700 064 | Hammer Piston                       |               |
| 57    | 1 618 710 062 | Striker                             |               |
| 70    | 1 612 001 033 | Connecting Rod                      |               |
| 71    | 1 613 101 006 | Straight Pin                        |               |
| 72    | 1 600 A02 7H7 | Eccentric Cog Wheel                 |               |
| 75    | 1 615 132 082 | Handle                              | BLACK         |
| 76    | 1 612 026 049 | Control Lever                       |               |
| 77    | 1 612 026 048 | Shift Plate                         | GRAY          |
| 80    | 1 607 233 5CR | Speed governor                      | 220-240V      |
| 82    | 1 615 510 000 | Light Conductor                     |               |
| 103   | 1 610 210 122 | O-Ring                              | 30,0x5,0 MM   |
| 104   | 1 610 210 123 | O-Ring                              | 22,0x11,0 MM  |
| 111   | 3 610 501 500 | Bushing                             |               |
| 112   | 3 613 461 500 | Threaded Ring                       |               |
| 113   | 1 610 009 007 | Spacer                              |               |
| 114   | 1 610 210 139 | O-Ring                              | 30,0x2,5 MM   |
| 115   | 1 610 508 027 | Protective Cap                      | BLACK         |
| 123   | 1 610 913 013 | Needle-Roller Assembly              |               |
| 124/1 | 1 610 101 608 | Thrust Bearing Disc                 |               |
| 126   | 2 603 490 022 | Screw                               | 4x16          |
| 127   | 2 914 551 117 | Microencapsulated Screw<br>5x12-8.8 | DIN 912-M     |
| 129   | 1 613 433 001 | Screw and washer assembly           | 6,3x32        |
| 131   | 1 601 11C 1VG | Manufacturer's nameplate            |               |
| 136   | 1 613 490 029 | Torx Oval-Head Screw                | M6x30         |
| 138   | 1 610 210 130 | O-Ring                              | 32,0x2,5 MM   |
| 139   | 1 610 108 020 | Felt Washer                         |               |
| 140   | 1 613 435 010 | Torx Oval-Head Screw                | 5,5x25        |
| 141   | 1 610 290 028 | Rotary shaft lip seal               |               |
| 142   | 1 610 300 063 | Bushing                             |               |
| 143   | 2 916 540 017 | Retaining ring                      | DIN 7993 A 30 |
| 144   | 1 610 102 029 | Supporting Disc                     |               |

## Spare parts list

| Item    | Part Number   | Description                         |
|---------|---------------|-------------------------------------|
| 180     | 1 611 110 855 | Sticker                             |
| 802     | 1 607 000 C3V | Subassembly                         |
| 803     | 1 614 011 072 | Armature 220-240V                   |
| 808     | 1 601 11A 3H3 | Nameplate                           |
| 823     | 1 617 000 403 | Needle-Roller Assembly              |
| 824     | 1 617 000 240 | Ball DIN 5401-6,5MM-III-ST          |
| 840     | 1 617 000 969 | Impact Mechanism Housing            |
| 842     | 1 600 A00 5AF | Brush Holder                        |
| 842/020 | 1 614 336 017 | Brush Guide                         |
| 842/030 | 1 614 652 004 | Spiral Spring                       |
| 842/050 | 1 617 014 126 | Carbon-Brush Set                    |
| 842/080 | 2 910 611 012 | Tapping Screw DIN 7981-ST3,5x16-C-H |
| 845     | 1 617 000 418 | Housing Cover                       |
| 895     | 3 613 344 500 | Oil Return Ring                     |
| 897     | 1 617 000 189 | Wear and Tear Part Set              |
| 898     | 1 617 000 190 | Wear and Tear Part Set              |
| 84      | 1 602 025 08D | Auxiliary Handle                    |
| 86      | 2 911 021 267 | Hex Screw                           |
| 87      | 1 611 316 010 | Clamping Band                       |
| 88      | 1 619 P16 922 | Star Knob                           |
| 89      | 1 600 A00 748 | Clamping Piece                      |
| 661     | 1 615 430 010 | Grease Tube 30 ML                   |
| 884     | 1 602 025 08E | Auxiliary Handle                    |
| 886     | 2 911 011 270 | Hex Screw DIN 931-M8x130-8.8        |
| 887     | 1 617 000 188 | Clamping Band Ø50 MM                |
| 889     | 1 618 040 053 | Clamping Piece                      |
| 890     | 1 610 190 053 | Catch Disk                          |
| 892     | 1 615 430 014 | Grease Tube 45 ML                   |

Illustration - Type - E

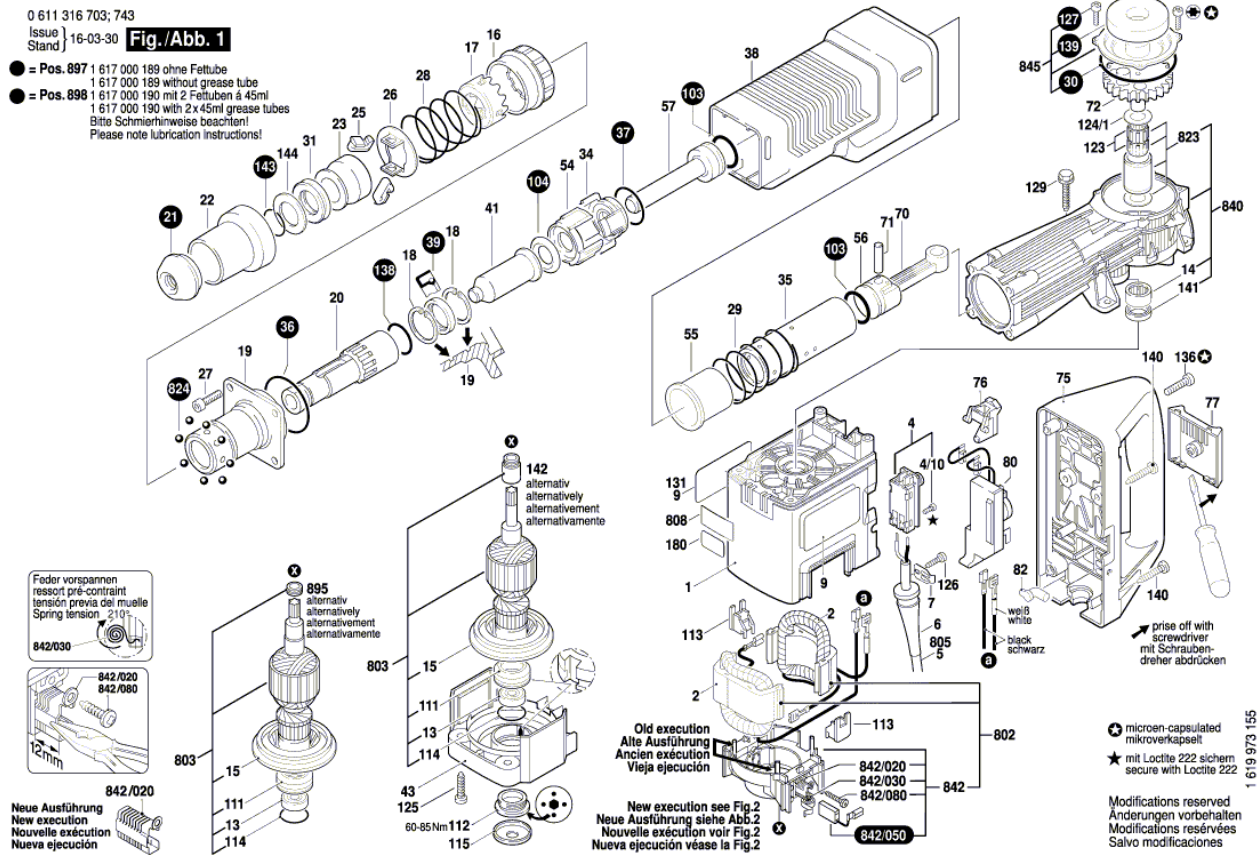
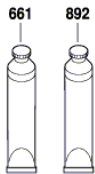
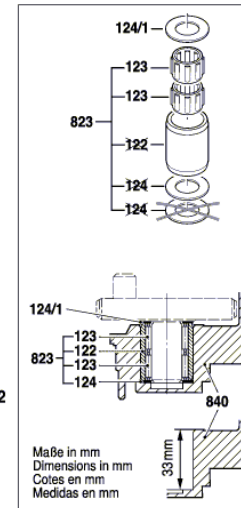
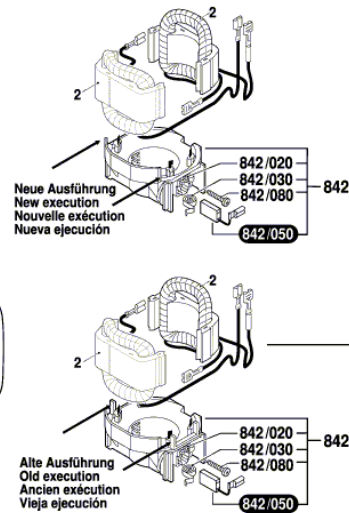
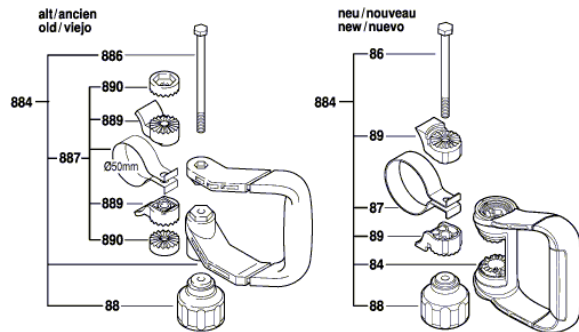


Illustration - Type - E

0 611 316 703; 743  
 Issue | 18-07-26  
 Stand | **Fig./Abb. 2**



Änderungen vorbehalten  
 Modifications reserved  
 Modifications réservées  
 Salvo modificaciones

