



BOSCH

Demolition Hammer

GSH 27 | 0 611 304 143

Table of Content

Spare parts list.....	2
Illustration - Type.....	5

Spare parts list

Item	Part Number	Description
4	1 615 805 068	Bearing cover
5	1 610 900 015	groove ball bearing 12x37x12
6	1 615 500 214	Screw Plug
7	1 615 108 104	Insulating Housing
8	1 616 610 089	Fan
9	1 613 313 000	Hex Nut DIN 985-M12X1
11	1 610 108 013	Felt Washer
12	1 610 102 616	Supporting Disc 1,0 MM THICK
15	1 610 910 091	Needle-Roller Bearing D35xD47x17
19	1 616 110 033	Eccentric Shaft
21	1 616 318 009	Cylindrical Gear Z=45
22	1 616 328 036	Cylindrical Gear Z=19/52
23	1 610 913 005	Needle-Roller Assembly
24	1 615 500 323	Gear Cover
25	1 612 001 040	Connecting Rod
26	1 610 910 092	Needle-Roller Bearing D25xD37x17
27	1 610 210 033	O-Ring 36,0x5,0 MM
28	1 618 700 043	Hammer Piston
30	1 614 601 039	Retaining ring Ø54,2xØ2,8
32	1 900 210 156	O-Ring 60x4 MM
33	3 613 101 500	Piston Pin
34	1 618 710 039	Striker
35	1 610 209 007	Seal Ring
36	1 900 210 166	O-Ring 80x3 MM
37	1 615 806 029	Guide Tube
38	1 610 220 009	Guide Bushing
39	1 614 619 005	Compression Spring
40	1 615 700 017	Intermediate Flange
41	1 610 210 008	O-Ring 17,3x17,7 MM
42	1 613 123 003	Striker Pin
45	1 613 103 004	Locking Bolt
46	2 917 760 187	Slotted Spring Pin 8x55 DIN 1481
47	1 900 210 172	O-Ring 100x3 MM
48	1 610 516 007	Sealing cap
49	1 610 707 000	Insulation Tubing

Spare parts list

Item	Part Number	Description	
50	3 600 421 500	Protection Sleeve	
51	1 610 703 019	Cord guard	
52	1 615 500 324	Fan Cover	
53	1 600 A00 C0N	Covering hood	
55	1 614 460 078	Power supply cord H07 RN-F	CN 4,15m 2 x 1,0mm
56	1 610 703 055	Cord guard	
57	1 615 500 212	Switch Cover	
58	1 617 200 108	Switch	
59	1 615 700 041	Intermediate Plate	
60	1 615 500 330	Insulating Cap	
64	1 616 334 000	Rubber Torsion-Bar	
65	1 613 060 005	Toothed Shaft	
67	2 916 660 023	Spring retaining ring	DIN 472 52x2MM
68	1 613 465 001	Rubber Buffer	
69	1 615 700 042	Intermediate Plate	
70	1 615 132 011	Handle	
71	1 601 11A 3H3	Nameplate	
73	1 603 435 036	Tapping Screw	4,8x78 MM, TORX T-20
74	2 916 160 009	Disc Spring	DIN 2093-A25X12,2X1,5
75	3 614 640 501	Compression Spring	
76	1 611 302 011	Fastening Clamp	
85	1 614 336 045	Brush Holder	
86	1 610 300 033	Bearing bolt	
87	1 610 900 027	groove ball bearing	25x52x15
88	1 610 283 016	Rotary shaft lip seal	
89	1 610 009 008	Spacer	
94	1 611 015 021	Sealing Plate	
95	1 614 431 030	Connecting Cable	
96	1 614 448 037	Connecting Cable	
97	2 915 011 007	Hex Nut	DIN 934-M6-8-A
99	3 613 313 500	Hex Nut	DIN 985-10-M10x1
102	2 910 211 025	Tapping Screw	DIN 7971-BZ4,2x13
104	2 910 141 201	Hex Socket Head Cap Screw	DIN 912-M6x20-8.8

Spare parts list

Item	Part Number	Description	
105	2 914 551 188	Microencapsulated Screw	DIN 912-M6X30-8.8
106	2 914 551 189	Microencapsulated Screw	DIN 912-M6X55-8.8
107	2 910 141 242	Hex Socket Head Cap Screw	DIN 912-M8x20-8.8
108	2 603 490 023	Torx Oval-Head Screw	4x20
109	2 910 141 248	Hex Socket Head Cap Screw	DIN 912-M8x35-8.8
110	2 910 141 356	Hex Socket Head Cap Screw	DIN-M12x70-8.8
111	2 914 550 034	Microencapsulated Screw	DIN EN-24014-M12x110-12.9
112	2 910 211 236	Tapping Screw	DIN 7971-ST4,8x25-C
118	1 617 328 029	Suppression Filter	
801	1 617 000 851	Motor Housing	
802	1 614 220 156	Field	220-240V
803	1 614 011 091	Armature	220-240V
813	1 610 910 035	Needle-Roller Bearing	D20xD37x17
817	1 901 091 110	Strip Terminal	
820	1 610 910 094	Needle-Roller Bearing	D25xD37x17
843	1 617 000 428	Toolholder	
844	1 618 045 026	Retaining Bracket	
854	1 617 000 858	Switch Housing	
858	1 610 591 001	Protective Cap	
859	2 910 091 118	Pan head screw	DIN 85-AM4x8-4.8
861	1 617 000 429	fixing plate	
863	1 617 000 A10	Parts Set	BLACK
879	1 614 652 001	Spiral Spring	
881	1 613 490 005	Torx Oval-Head Screw	M4x10
882	1 610 151 007	Spring Lock Washer	
883	1 617 000 425	Carbon-Brush Set	
890	1 617 000 849	Un. Flange-Mtd. Motor	220-240V
897	1 617 000 426	Wear and Tear Part Set	
895	1 615 430 007	Grease	1000 ML
898	1 615 430 001	Grease Tube	225 ML

Illustration - Type - E

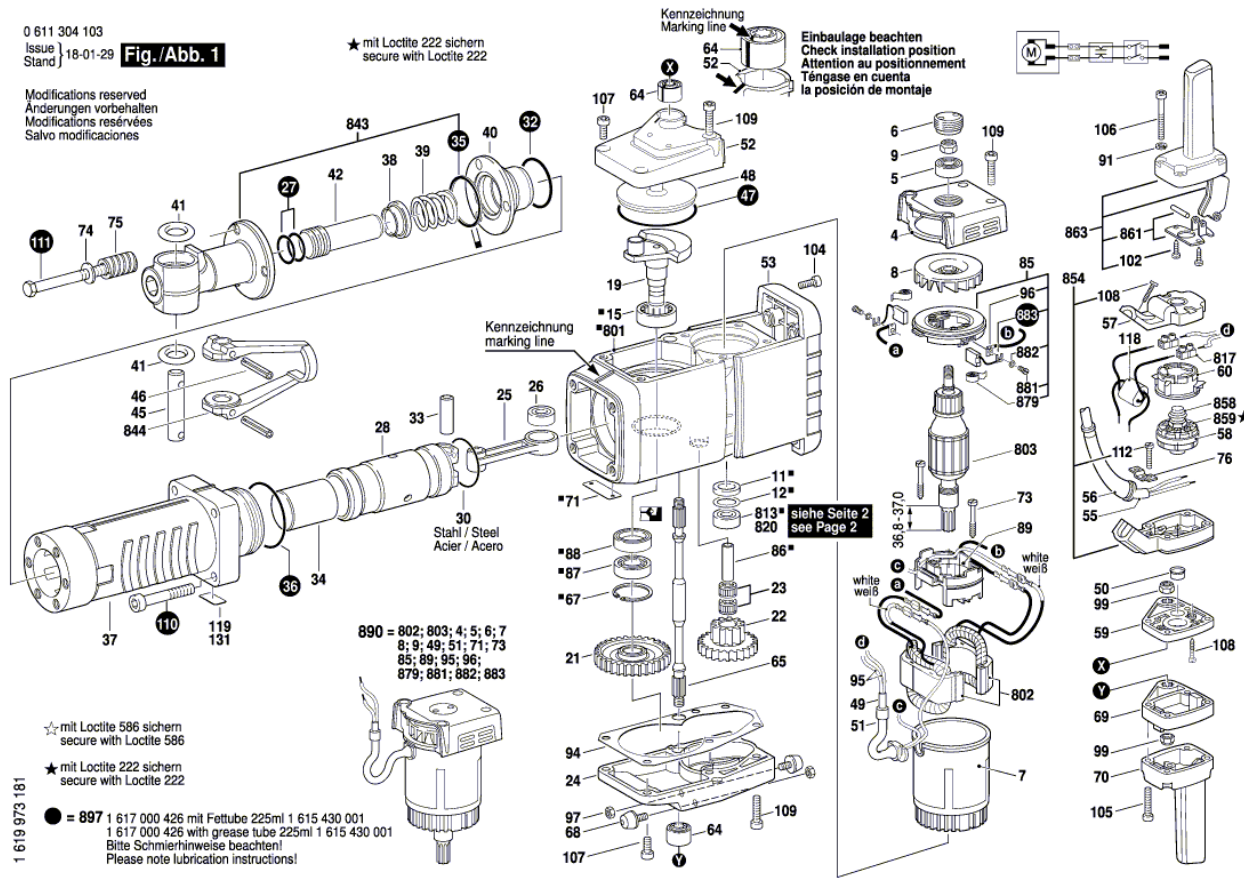
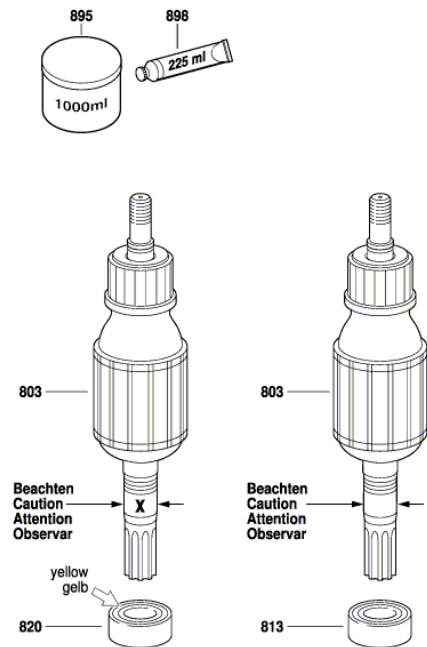


Illustration - Type - E

0 611 304 103
Issue
Stand } 08-12-04 **Fig./Abb. 2**



Typ 0 611 304 0 .. → Typ 0 611 304 1 ..

<p>Altes Motorgehäuse, mit alter Exzenterwelle. Old motor housing with old eccentric shaft.</p> <p>Alte Ausführung Old execution Ancien exécution Nouveau exécution Nueva ejecución</p> <p>Pos. 19 1 616 110 027 bleibt lieferbar still available</p> <p>ohne Kennzeichnung without marking line</p> <p>Pos. 1 1 615 106 031 nicht mehr lieferbar not longer available</p> <p>88 67 87 16 67 21</p>	<p>Neues Motorgehäuse, mit neuer Exzenterwelle. New motor housing with new eccentric shaft.</p> <p>Umbausatz = Pos. 800 Modification Set = pos. 800 } 1 617 000 852</p> <p>Neue Ausführung New execution Ancien exécution Nouvelle exécution Nueva ejecución</p> <p>Pos. 19 1 616 110 033 liegt lose bei is separately included</p> <p>Kennzeichnung marking line</p> <p>Pos. 801* 1 617 000 851</p> <p>11* 12* 813 (26)* 86*</p> <p>not included Pos. 21 wird nicht mitgeliefert</p> <p>* montiert in Pos. 801 = 1 617 000 851 assembled in pos. 801 = 1 617 000 851</p>
---	--

Modifications reserved
Änderungen vorbehalten
Modifications réservées
Salvo modificaciones