



BOSCH

Demolition Hammer

GSH 4 | 0 611 312 143

Table of Content

Spare parts list.....	2
Illustration - Type.....	6

Spare parts list

Item	Part Number	Description	
1	1 615 102 142	Motor Housing	BLUE
2	1 604 220 343	Field	220-230V
4	1 617 200 048	Switch	
4/10	2 910 011 088	Socket head cap screw	DIN 84-AM3,5x12-5.8
5	1 614 460 075	Power supply cord	CN 4,15m 2 x 1,0mm H07 RN-F
6	1 610 703 053	Grommet	Ø9,7-Ø12x89 MM
7	1 601 302 018	Fastening Clamp	
9	1 611 110 667	Manufacturer's nameplate	
13	1 610 900 025	groove ball bearing	7x22x7
14	1 610 905 027	groove ball bearing	15x32x9
15	1 616 610 071	Fan	
16	1 610 499 016	Ratchet Sleeve	
17	1 610 590 002	Retaining snap ring	
18	2 916 660 016	Spring retaining ring	DIN 472 37x1,5MM
19	1 615 700 033	Clamping-Flange	
20	1 618 597 069	Toolholder	
21	1 610 508 017	Protective Cap	
22	1 610 499 015	Protection Sleeve	
23	1 610 520 001	Stop Sleeve	
25	1 612 300 027	Stopping Device	
26	1 610 290 025	Indexing Disk	
27	2 910 141 201	Hex Socket Head Cap Screw	DIN 912-M6x20-8.8
28	1 614 621 000	Compression Spring	
29	1 614 615 002	Compression Spring	
30	1 610 210 136	O-Ring	60,0x2,5 MM
31	1 610 390 015	Spacer Tube	
32	1 610 202 016	Cylinder Sleeve	
34	1 610 390 030	Spacer Tube	
35	1 615 806 086	Hammer Pipe	
36	1 610 210 022	O-Ring	48,0x2,0 MM
37	1 900 210 131	O-Ring	30x2,5 MM
38	1 615 190 058	Covering hood	BLACK
39	1 610 283 027	Rotary shaft lip seal	

Spare parts list

Item	Part Number	Description
41	1 618 710 052	Striker Pin
45	1 615 500 294	Housing Cover
47	1 610 591 012	Cover
54	1 610 190 010	Control Disc
55	1 610 420 004	Control Bushing
56	1 618 700 057	Hammer Piston BLACK
57	1 618 710 077	Striker
70	1 612 001 031	Connecting Rod
71	1 613 101 005	Straight Pin
72	1 616 317 051	Eccentric Cog Wheel Z=43
75	1 615 132 056	Handle BLUE
76	1 612 026 029	Control Lever
79	1 615 819 016	Bearing Pedestal
80	1 617 233 024	Speed governor 230-240V
103	1 610 210 091	O-Ring 24,0x4,0 MM
104	1 610 210 093	O-Ring 17,0x8,0 MM
111	1 610 210 081	O-Ring 10,0x1,0 MM
112	1 613 461 001	Threaded Ring M24x1,5MM, SW10
113	1 610 501 036	Bushing
122	1 610 910 088	Needle bearing
123	1 610 910 087	Nozzle Socket
124	1 610 101 008	Thrust Bearing Disc 1,0 MM THICK
126	2 910 211 019	Tapping Screw DIN 7971-ST3,9x16-F
127	2 914 551 117	Microencapsulated Screw DIN 912-M 5x12-8.8
129	2 912 401 036	Tapping Screw DIN7981-ST4,8x25-C-Z
131	1 611 110 668	Manufacturer's nameplate
136	2 910 211 236	Tapping Screw DIN 7971-ST4,8x25-C
137	1 610 210 101	O-Ring 26,0x2,0 MM
138	1 610 210 103	O-Ring 33,0x2,0 MM
139	1 610 108 021	Felt Washer
140	1 611 098 004	Support Plate
141	1 613 344 005	Headed Bush
143	1 610 108 024	Felt Washer
151	2 600 210 028	O-Ring 21,0x2,0 MM

Spare parts list

Item	Part Number	Description
152	1 610 508 030	Cover
803	1 614 010 186	Armature 220-240V
808	1 601 11A 3H3	Nameplate
824	1 617 000 239	Ball DIN 5401-5 MM-III-ST
840	1 617 000 804	Assembly Of Service Parts
842	1 614 336 009	Brush Holder
842/020	1 614 336 043	Brush Guide
842/040	1 617 014 122	Carbon-Brush Set
842/050	1 613 212 004	Rubber Buffer
842/080	2 912 401 005	Tapping Screw DIN7981-ST2,9x9,5C-Z
843	1 615 808 078	Bearing cover BLUE
877	1 617 000 297	Shift Plate GRAY
897	1 617 000 269	Wear and Tear Part Set
898	1 617 000 270	Wear and Tear Part Set
84	1 602 025 07H	Auxiliary Handle
85	1 618 040 057	Support clamp Ø 43 MM
86	1 613 490 002	T-Head Bolt M8x40 MM
87	1 611 316 006	Clamping Band Ø43 MM
750	2 605 438 313	Carrying Case
751	1 618 600 012	Pointed Chisel Ø18x600 MM
751/1	1 618 600 023	Pointed Chisel Ø18x280 MM
751/2	1 618 600 011	Pointed Chisel Ø18x400 MM
752	1 618 600 202	Cold Chisel 25x400 MM
752/1	1 618 600 203	Cold Chisel 25x600 MM
753	1 618 601 006	Spade-Shaped Chisel 50x400 MM
753/1	1 618 601 008	Wide chisel 80x300 MM
753/2	1 618 601 007	Wide chisel 115x350 MM
754	1 618 601 302	Toothed Chisel 32x7x300 MM
755	1 618 601 303	Mortar raking chisel 28x8x300 MM
756	1 618 601 101	Gouge 26x300 MM
757	1 618 601 102	Gouge 32x300 MM
758	1 618 601 018	Tile Chisel 50x300 MM
758/1	1 618 601 019	Wide chisel 80x300 MM
760	1 618 609 003	Chisel Holder 65x220 MM
761	1 618 623 205	Bush Hammer 60x60 MM, Z= 5x5

Spare parts list

Item	Part Number	Description	
761/1	1 618 623 206	Bush Hammer	60x60 MM, Z= 7x7
762	1 618 633 101	Tamping Tool	120x130 MM
762/1	1 618 633 102	Tamping Tool	150x150 MM
784	2 602 025 063	Auxiliary Handle	Ø 43 MM

Illustration - Type - E

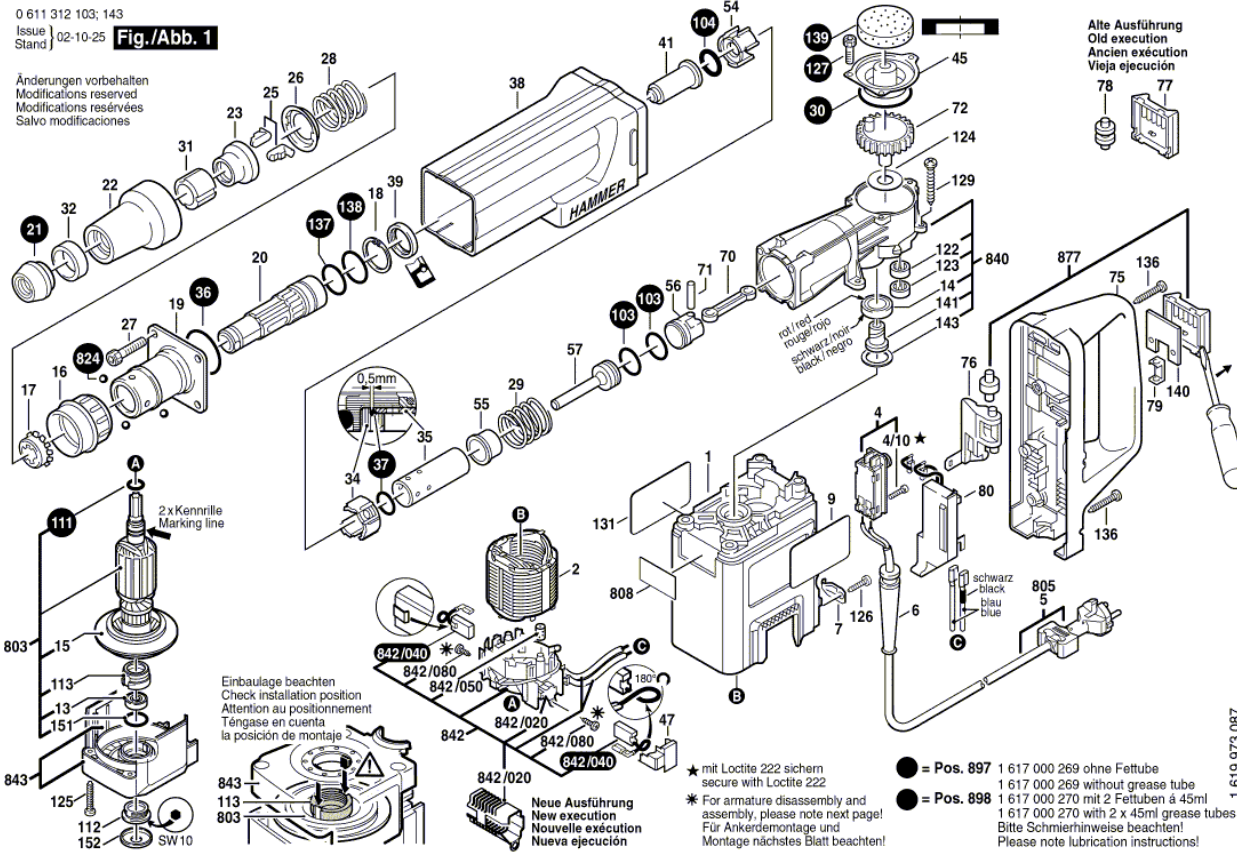
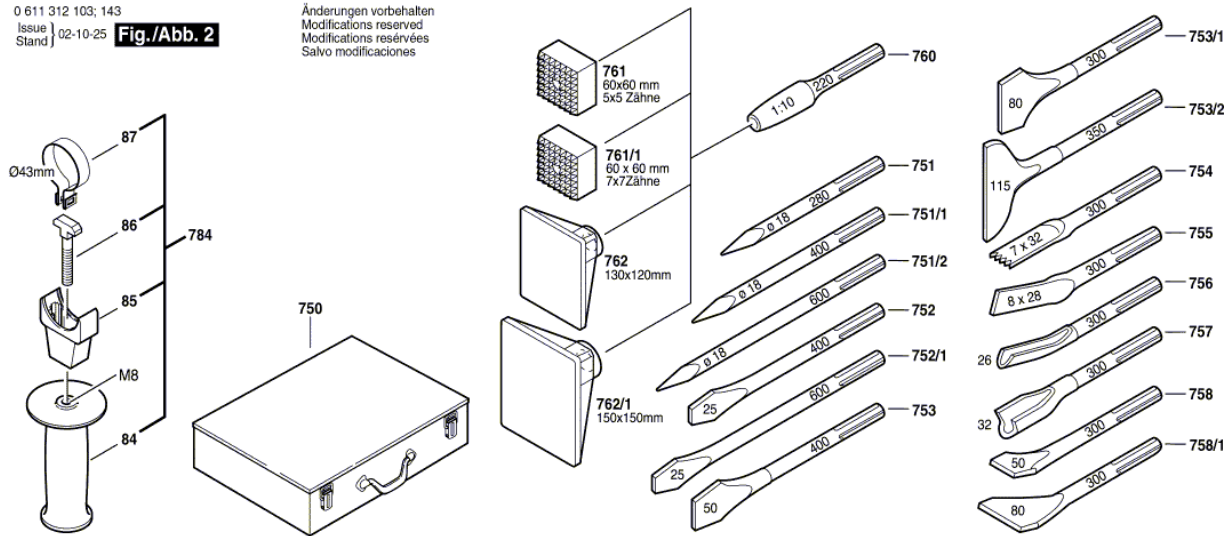


Illustration - Type - E

0 611 312 103; 143
Issue | 02-10-25 **Fig./Abb. 2**

Änderungen vorbehalten
Modifications reserved
Modificaciones reservées
Salvo modificaciones



Vor Ankerdemontage- und Montage beide Bürstenhalter 5-7 mm nach außen ziehen.
For armature disassembly and assembly pull the brush holder 5-7 mm outwards.

Nach der Ankerdemontage Bürstenhalter nach innen drücken und festschrauben.
After armature assembly, press in the brush holder and tighten the screw.

Kohlebürsten mit Flachstecker einsetzen.
Fit brushes and electrical contact.

Litzen beider Kohlebürsten um 180° drehen.
Turn both the Brush wires 180° as shown.

Abstand herstellen (min. 1mm) zwischen Flachstecker und Kohlebürstenhalter.
Abdeckkappen Pos. 47 bis Anschlag aufschieben.
In order to fit pos. 47 there must be at least 1 mm distance between the brush holder and the electrical contact. Press pos. 47 firmly into position.

