



**BOSCH**

# Demolition Hammer

GSH 5 | 3 611 C37 080

---

## Table of Content

|                          |   |
|--------------------------|---|
| Spare parts list.....    | 2 |
| Illustration - Type..... | 5 |

## Spare parts list

| Item | Part Number   | Description                                   |
|------|---------------|---|
| 1    | 1 619 P07 704 | Motor Housing                                 |
| 2    | 1 619 P05 379 | Field 220-240V                                |
| 4    | 1 619 P07 720 | Switch  |
| 5    | 1 614 460 075 | Power supply cord H07 RN-F CN 4,15m 2 x 1,0mm |
| 6    | 1 619 P07 722 | Grommet                                       |
| 21   | 1 619 P07 829 | Protective Cap                                |
| 22   | 1 619 P07 724 | Protection Sleeve                             |
| 25   | 1 619 P07 742 | Stopping Device                               |
| 27   | 1 619 P07 739 | Air-Deflector Ring                            |
| 28   | 1 614 621 000 | Compression Spring                            |
| 29   | 1 619 P10 522 | Washer  |
| 30   | 1 619 P07 715 | Supporting Disc                               |
| 31   | 1 619 P07 743 | Supporting Disc                               |
| 33   | 1 619 P07 748 | Toolholder                                    |
| 34   | 1 610 516 013 | Flange  |
| 35   | 1 619 P07 734 | Hammer Pipe                                   |
| 36   | 1 619 P07 702 | Intermediate Sleeve                           |
| 37   | 1 619 P07 749 | Cylindrical Roller                            |
| 38   | 1 619 P07 710 | Covering hood BLUE                            |
| 42   | 1 619 P07 754 | Brush Holder                                  |
| 43   | 1 619 P07 711 | Fan Cover BLACK                               |
| 44   | 1 619 P14 656 | Compression Spring                            |
| 45   | 1 619 P07 756 | Control Bushing                               |
| 48   | 1 619 P07 780 | Clutch Sleeve                                 |
| 52   | 1 619 P07 738 | Stop Sleeve                                   |
| 53   | 1 619 P07 792 | Supporting Disc                               |
| 54   | 1 610 231 001 | Guide Bushing                                 |
| 57   | 1 619 P07 762 | Striker                                       |
| 69   | 1 610 099 004 | Retaining Bracket                             |
| 72   | 1 619 P13 946 | Eccentric Cog Wheel                           |
| 74   | 1 619 P07 772 | Guide Plate                                   |
| 75   | 1 619 P07 708 | Handle  |
| 76   | 1 619 P07 789 | Magnet  |
| 79   | 1 613 435 015 | Torx Oval-Head Screw M5x12-TORX,T25 SILVER    |

# Demolition Hammer | GSH 5 | 3 611 C37 080

## Spare parts list

| Item | Part Number   | Description                                  | II |
|------|---------------|--|----|
| 81   | 1 619 P07 709 | Handle Cover                                 |    |
| 82   | 1 619 P07 786 | Support bracket                              |    |
| 95   | 1 610 210 173 | O-Ring 32,0x1,5 MM                           |    |
| 98   | 1 610 101 015 | Shim ring 1,0 MM THICK                       |    |
| 101  | 1 610 224 009 | Retaining ring                               |    |
| 103  | 1 619 P07 781 | Bushing                                      |    |
| 104  | 1 619 P07 740 | O-Ring                                       |    |
| 111  | 1 610 290 064 | Bushing                                      |    |
| 112  | 1 613 300 008 | Hex Nut DIN 936-M8x1-8                       |    |
| 113  | 1 613 435 009 | Tapping Screw ST-4,8x57,5-TORX,T20           |    |
| 117  | 1 619 P07 713 | Needle-Roller Assembly                       |    |
| 126  | 2 910 211 019 | Tapping Screw DIN 7971-ST3,9x16-F            |    |
| 129  | 1 619 P10 665 | Holding Sleeve                               |    |
| 130  | 1 619 P07 796 | Cover  |    |
| 138  | 1 619 P07 797 | Sealing Frame                                |    |
| 141  | 1 610 290 066 | Rotary shaft lip seal                        |    |
| 143  | 1 614 601 021 | Retaining ring DIN 7993-28x2                 |    |
| 145  | 1 610 119 012 | Spring retaining ring                        |    |
| 154  | 1 619 P07 801 | Clip   |    |
| 158  | 1 619 P07 751 | Retaining ring                               |    |
| 160  | 1 619 P07 806 | Damping Ring                                 |    |
| 161  | 1 610 290 093 | Damping rubber                               |    |
| 162  | 1 610 210 091 | O-Ring 24,0x4,0 MM                           |    |
| 163  | 1 610 290 065 | Seal Ring                                    |    |
| 165  | 1 610 210 153 | O-Ring 25,0x4,0 MM                           |    |
| 168  | 1 610 210 144 | O-Ring 22,0x3,0 MM                           |    |
| 171  | 1 619 P07 816 | Torx Oval-Head Screw SILVER M5x16-TORX, T25  |    |
| 172  | 1 613 435 013 | Torx Oval-Head Screw SILVER M6x30-TORX,T30   |    |
| 175  | 1 619 P00 228 | Screw  |    |
| 176  | 1 613 435 012 | Torx Oval-Head Screw SILVER M4,8x25-TORX,T25 |    |
| 177  | 2 603 490 024 | Torx Oval-Head Screw 4x25                    |    |
| 178  | 1 600 A00 ZS0 | Connecting Cable                             |    |
| 179  | 1 619 P07 815 | Screw  |    |

## Spare parts list

| Item     | Part Number   | Description                              | III |
|----------|---------------|--|-----|
| 182      | 1 619 P09 862 | Felt Seal                                |     |
| 803      | 1 619 P07 761 | Armature 220-240V                        |     |
| 803/1/14 | 1 610 905 041 | groove ball bearing 12x32x10             |     |
| 803/13   | 1 610 900 026 | groove ball bearing 8x24x8               |     |
| 811      | 1 617 014 138 | Carbon-Brush Set                         |     |
| 815      | 1 619 P18 732 | Driving Pin                              |     |
| 817      | 1 614 652 004 | Spiral Spring                            |     |
| 818      | 2 910 011 082 | Socket head cap screw DIN 84-AM3,5x6-5.8 |     |
| 821      | 1 619 P07 768 | Bushing                                  |     |
| 840      | 1 619 P10 667 | Impact Mechanism Housing                 |     |
| 841      | 1 619 P07 839 | Striker                                  |     |
| 849      | 1 619 P07 798 | Control Fork                             |     |
| 854      | 1 619 P07 773 | Guide Bushing                            |     |
| 856      | 1 619 P07 775 | Hammer Piston                            |     |
| 873      | 1 619 P07 799 | Housing Cover                            |     |
| 897      | 1 619 P07 788 | Wear and Tear Part Set                   |     |
| 84       | 1 612 025 060 | Auxiliary Handle M8 BLACK                |     |
| 85       | 1 619 P07 774 | Support clamp                            |     |
| 86       | 1 613 490 002 | T-Head Bolt M8x40 MM                     |     |
| 87       | 1 619 P07 776 | Clamping Band                            |     |
| 661      | 1 615 430 010 | Grease Tube 30 ML                        |     |
| 691      | 1 605 438 1D1 | Carrying Case                            |     |
| 884      | 1 619 P07 778 | Auxiliary Handle                         |     |

Illustration - Type - E

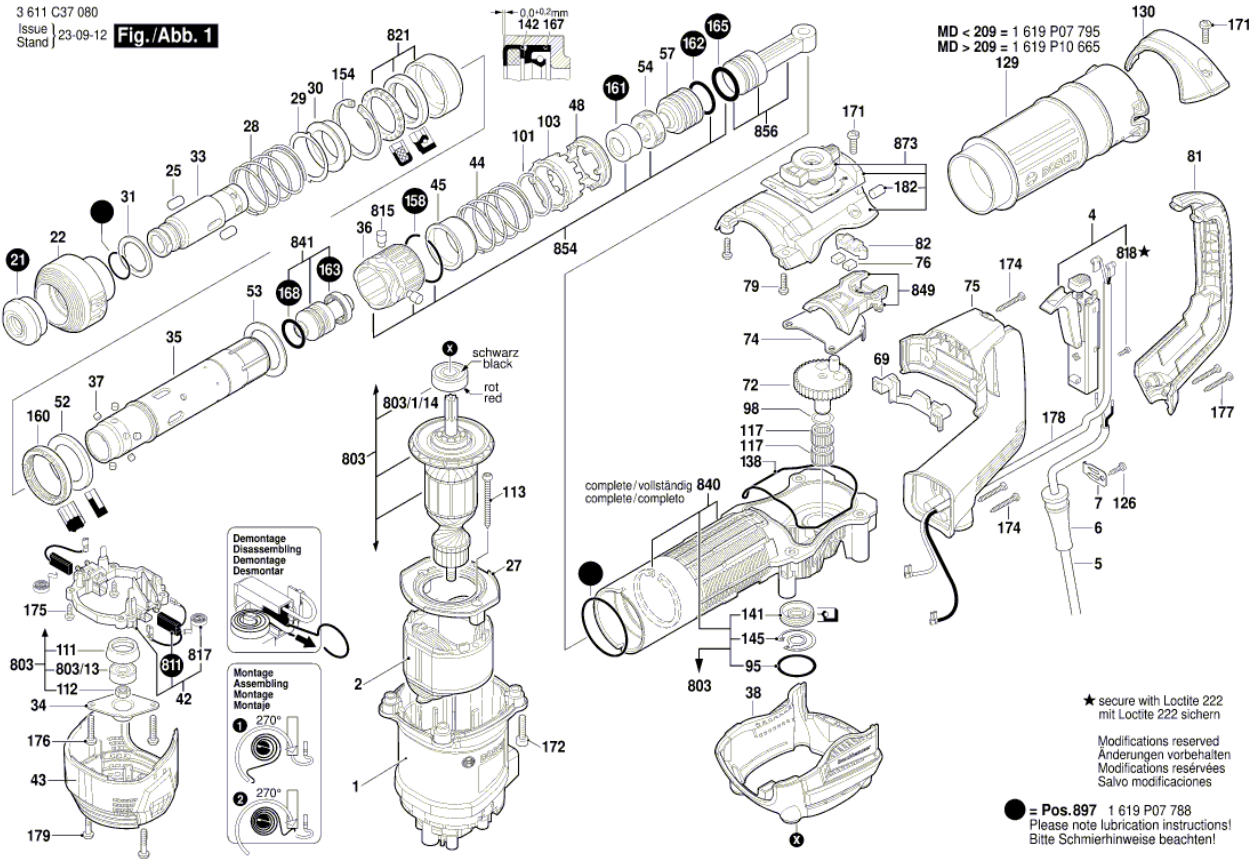
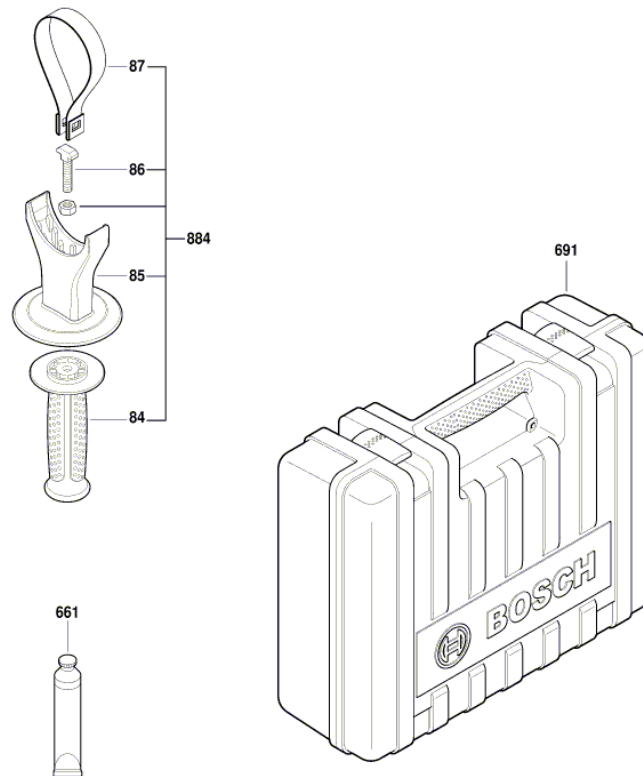


Illustration - Type - E

3 611 C37 080  
Issue |  
Stand | 19-02-07 **Fig./Abb. 2**



Änderungen vorbehalten  
Modifications reserved  
Modifications réservées  
Salvo modificaciones