



BOSCH

Demolition Hammer

GSH 5 CE | 3 611 C21 080

Table of Content

Spare parts list.....	2
Illustration - Type.....	6

Spare parts list

Item	Part Number	Description
1	1 615 102 161	Motor Housing BLUE
2	1 614 220 123	Field 220-240V
4	1 617 200 102	Switch
5	1 614 460 075	Power supply cord CN 4,15m 2 x 1,0mm H07 RN-F
6	1 600 703 035	Grommet Ø8,7-Ø9,6x66 MM
7	1 601 302 018	Fastening Clamp
9	1 601 11C 0U2	Manufacturer's nameplate
13	1 610 900 026	groove ball bearing 8x24x8
14	1 610 905 041	groove ball bearing 12x32x10
15	1 616 610 090	Fan
16	1 610 499 055	Ratchet Sleeve
17	1 610 241 000	Catch Disk
18	1 614 601 030	Retaining ring
21	1 610 508 038	Protective Cap
22	1 610 591 030	Protection Sleeve
23	1 610 520 001	Stop Sleeve
25	1 612 300 036	Stopping Device
26	1 610 290 076	Indexing Disk
27	1 610 591 028	Air-Deflector Ring
28	1 614 621 000	Compression Spring
31	1 610 290 049	Damping Ring
34	1 610 516 013	Flange
35	1 615 806 214	Hammer Pipe
37	1 615 500 390	Bearing Pedestal
38	1 615 190 158	Covering hood BLUE
42	1 614 336 085	Brush Holder
43	1 615 500 410	Fan Cover BLACK
44	1 614 621 007	Compression Spring
45	1 610 499 064	Control Bushing
53	1 610 102 054	Support Disc
54	1 610 231 001	Guide Bushing
57	1 618 710 089	Striker
69	1 610 099 005	Retaining Bracket
72	1 600 A01 4S6	Eccentric Cog Wheel

Spare parts list

Item	Part Number	Description
73	1 605 500 2EP	Housing Cover
74	1 600 A00 73C	Holding-Down-Appliance
75	1 615 132 118	Handle BLUE
80	1 617 233 049	Speed governor
81	1 615 132 088	Handle Cover BLACK
95	1 610 210 173	O-Ring 32,0x1,5 MM
104	1 610 210 095	O-Ring 55,0x2,0 MM
111	1 610 290 064	Bushing
112	1 613 300 008	Hex Nut DIN 936-M8x1-8
113	1 613 435 009	Tapping Screw ST-4,8x57,5-TORX,T20
116	1 610 913 029	Needle-Roller Assembly
121	1 610 328 018	Bushing
126	2 603 490 022	Screw 4x16
131	1 611 11C 21N	Manufacturer's nameplate
138	1 611 015 050	Sealing Frame
139	1 600 A01 8Z1	Felt
141	1 610 290 066	Rotary shaft lip seal
142	1 610 290 061	Rotary shaft lip seal
143	1 614 601 021	Retaining ring DIN 7993-28x2
144	1 610 251 006	Supporting Disc
145	1 610 119 012	Spring retaining ring
146	1 610 113 012	Shim
150	1 614 601 041	Retaining ring
154	2 916 660 024	Spring retaining ring 55x2MM, DIN 472
156	1 610 224 009	Retaining ring
160	1 610 210 172	Damping Ring
161	1 610 290 093	Damping rubber
162	1 610 210 203	O-Ring 24,5x4,0 MM
163	1 610 290 065	Seal Ring
165	1 610 210 153	O-Ring 25,0x4,0 MM
167	1 610 290 062	Rotary shaft lip seal
168	1 610 210 144	O-Ring 22,0x3,0 MM
171	1 613 435 014	Torx Oval-Head Screw SILVER M5x16-TORX,T25
172	1 613 435 013	Torx Oval-Head Screw SILVER M6x30-TORX,T30

Spare parts list

Item	Part Number	Description	
175	2 912 401 018	Tapping Screw	DIN7981-ST3,9x13-C-Z
176	1 613 435 012	Torx Oval-Head Screw	M4,8x25-TORX,T25 SILVER
177	2 603 490 024	Torx Oval-Head Screw	4x25
195	1 613 490 015	Torx Oval-Head Screw	
196	1 613 435 019	Screw and washer assembly	
200	1 610 284 000	Bellows	
803	1 614 011 098	Armature	220-240V
808	1 601 11A 3H5	Nameplate	
811	1 617 014 144	Carbon-Brush Set	
815	1 609 271 281	Socket head cap screw	
817	1 614 652 004	Spiral Spring	
818	2 910 011 082	Socket head cap screw	DIN 84-AM3,5x6-5.8
821	1 617 000 835	Bushing	
825	1 617 000 706	Bearing Shaft	
835	1 611 110 H20	Reference Plate	
840	1 617 000 898	Impact Mechanism Housing	
841	1 617 000 899	Striker Pin	
854	1 617 000 707	Guide Bushing	
856	1 617 000 A00	Hammer Piston	
891	1 617 000 A26	Spring Pack	
897	1 617 000 708	Wear and Tear Part Set	
84	1 602 025 08D	Auxiliary Handle	
86	2 911 021 267	Hex Screw	
87	1 611 316 022	Clamping Band	
88	1 619 P16 922	Star Knob	
89	1 600 A00 748	Clamping Piece	
661	1 615 430 010	Grease Tube	30 ML
691	1 605 438 1CC	Carrying Case	
883	1 615 132 109	Auxiliary Handle	
884	1 602 025 097	Auxiliary Handle	
885	1 610 190 053	Catch Disk	
886	2 911 011 270	Hex Screw	DIN 931-M8x130-8.8
889	1 618 040 084	Clamping Piece	
890	1 609 244 B42	Mounting Sleeve	

Spare parts list

Item	Part Number	Description
892	1 609 244 B43	Bow

Illustration - Type - E

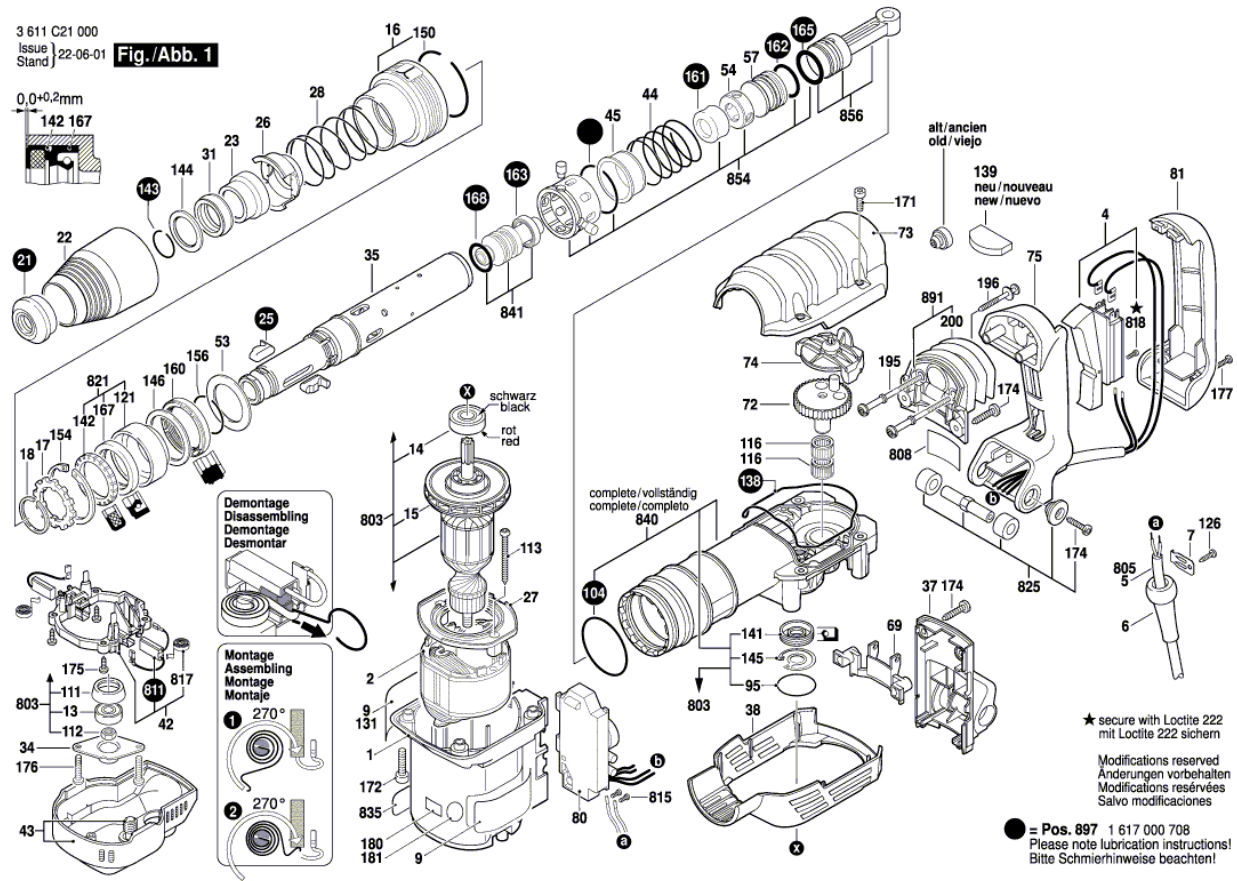
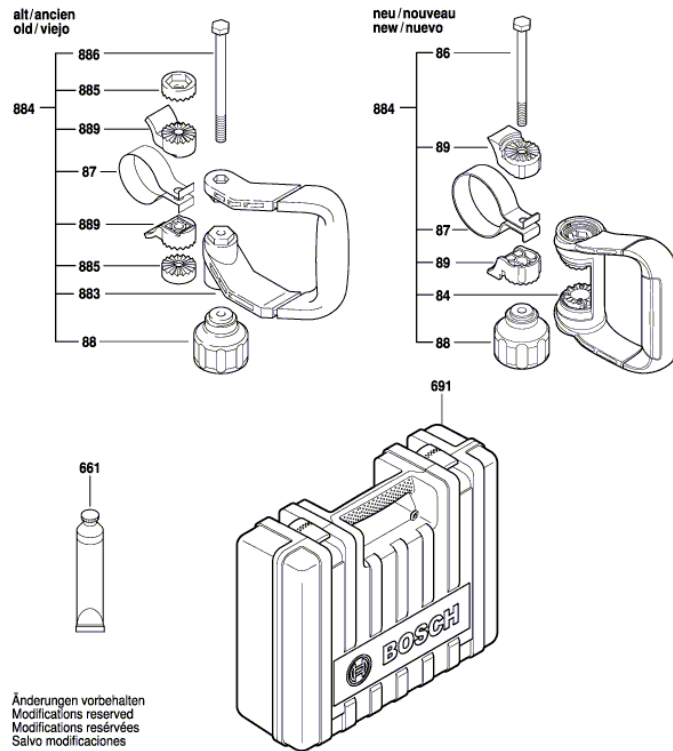


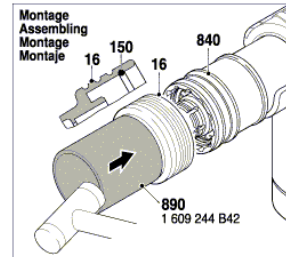
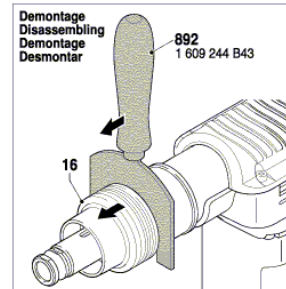
Illustration - Type - E

3 611 C21 000
Issue
Stand | 17-03-29

Fig./Abb. 2



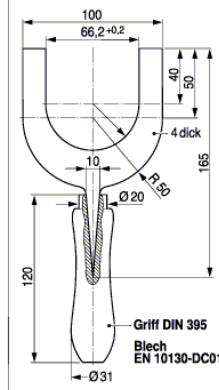
Änderungen vorbehalten
Modifications reserved
Modificaciones reservées
Salvo modificaciones



Maße in mm
Dimensions in mm
Cotes en mm
Medidas en mm

Hilfswerkzeuge zum Selbstanfertigen
Auxiliary tools
(for your own manufacture)
Outils auxiliaire (fabrication locale)
Utiles (fabricación particular)

Demontagebügel Pos. 892
Disassembly tool
Outil de démontage
Utill de desmontar



Montagehülse Pos. 890
Mounting sleeve
Douille de montage
Casquillo de montaje

