

## Cordless Drill Driver - 3 601 JD4 001 - GSR 12 V-E...

www.powertools-aftersaleservice.com

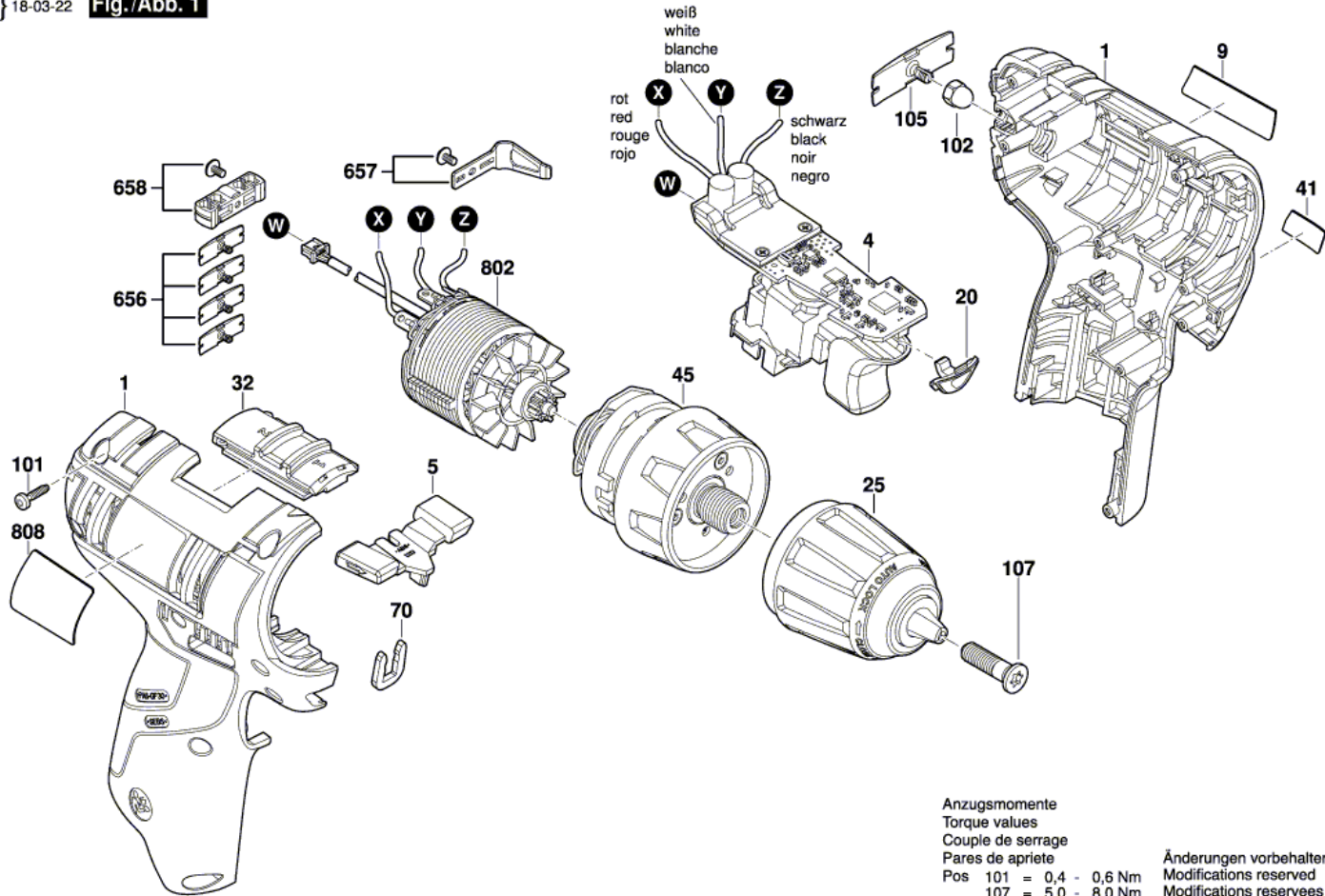


**BOSCH**

Item	Part Number	Description	Illustration	Price	Quantity	Price Group
	1 2 609 101 216	Housing	1	-,-	1	30
	4 1 607 233 568	Electronic Module	1	-,-	1	44
	5 2 609 101 213	Changeover Lever	1	-,-	1	11
	9 2 609 136 705	Manufacturer's nameplate	1	-,-	1	13
	20 2 609 101 035	Lens	1	-,-	1	10
	25 2 609 111 562	Keyless Chuck	1	-,-	1	34
	32 2 609 199 279	Switchover Unit	1	-,-	1	10
	41 2 609 134 053	Sticker	1	-,-	1	13
	45 2 609 199 605	Gear Box	1	-,-	1	39
	70 2 609 110 537	Clip	1	-,-	1	11
	101 2 609 110 883	Screw	1	-,-	9	10
	102 2 609 111 575	Cap Nut	1	-,-	1	11
	105 2 609 101 368	Color clip	1	-,-	1	13
	107 2 603 421 229	Countersunk-Head Screw M6x23	1	-,-	1	11
	653 2 607 225 991	Charger EU GAX 18V-30 230/10,8-18V 1h	2	-,-	1	44
	656 2 609 199 669	Color clip	1	-,-	1	17
	657 2 609 199 670	Clip	1	-,-	1	21
	658 2 609 199 748	Bit holder	1	-,-	1	12
	802 2 609 199 654	Brushless DC motor 10,8V	1	-,-	1	40
	808 1 601 11A 5K9	Nameplate	1	-,-	1	13
	851 2 607 337 223	Battery Pack 10.8V 2,5Ah	2	-,-	1	45
	851 1 607 A35 0C5	Battery Pack GBA 12V 2.0Ah Li SCM	2	-,-	1	40
	853 2 607 226 101	Fast Charger EU GAL 1230 CV 230/12V	2	-,-	1	40
	853 2 607 226 105	Fast Charger GB GAL 1230 CV 230/12V	2	-,-	1	38
	853 2 607 225 893	Fast Charger	2	-,-	1	47
	854 1 609 280 A81	Bracket	2	-,-	1	19

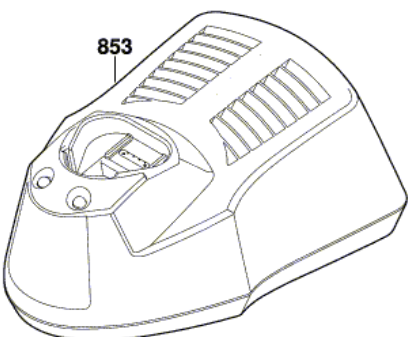
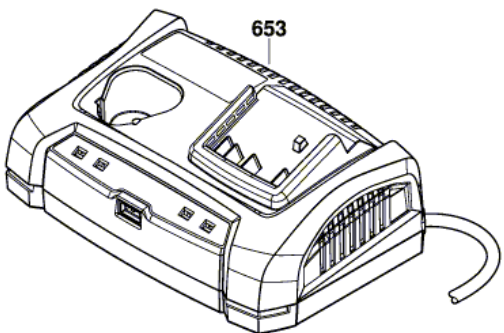
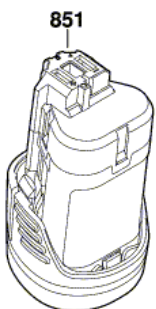
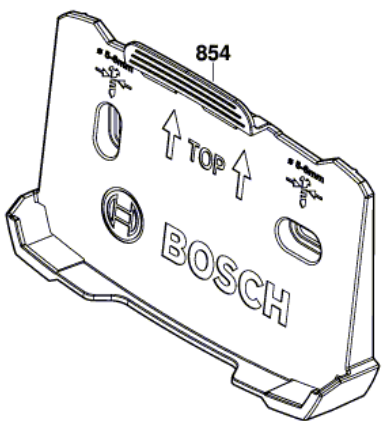
3 601 JD4 001  
 Stand } 18-03-22  
 Issue }

**Fig./Abb. 1**



Anzugsmomente  
 Torque values  
 Couple de serrage  
 Pares de apriete

Pos	101 = 0,4 - 0,6 Nm	Änderungen vorbehalten
	107 = 5,0 - 8,0 Nm	Modifications reserves
	25 = > 15,0 Nm	Salvo modificaciones



3 601 JD4 001  
Stand } 18-03-22  
Issue }

**Fig./Abb. 2**

Information subject to change without further notice.

Änderungen vorbehalten  
Modifications reserved  
Modificaciones reservadas  
Salvo modificaciones