

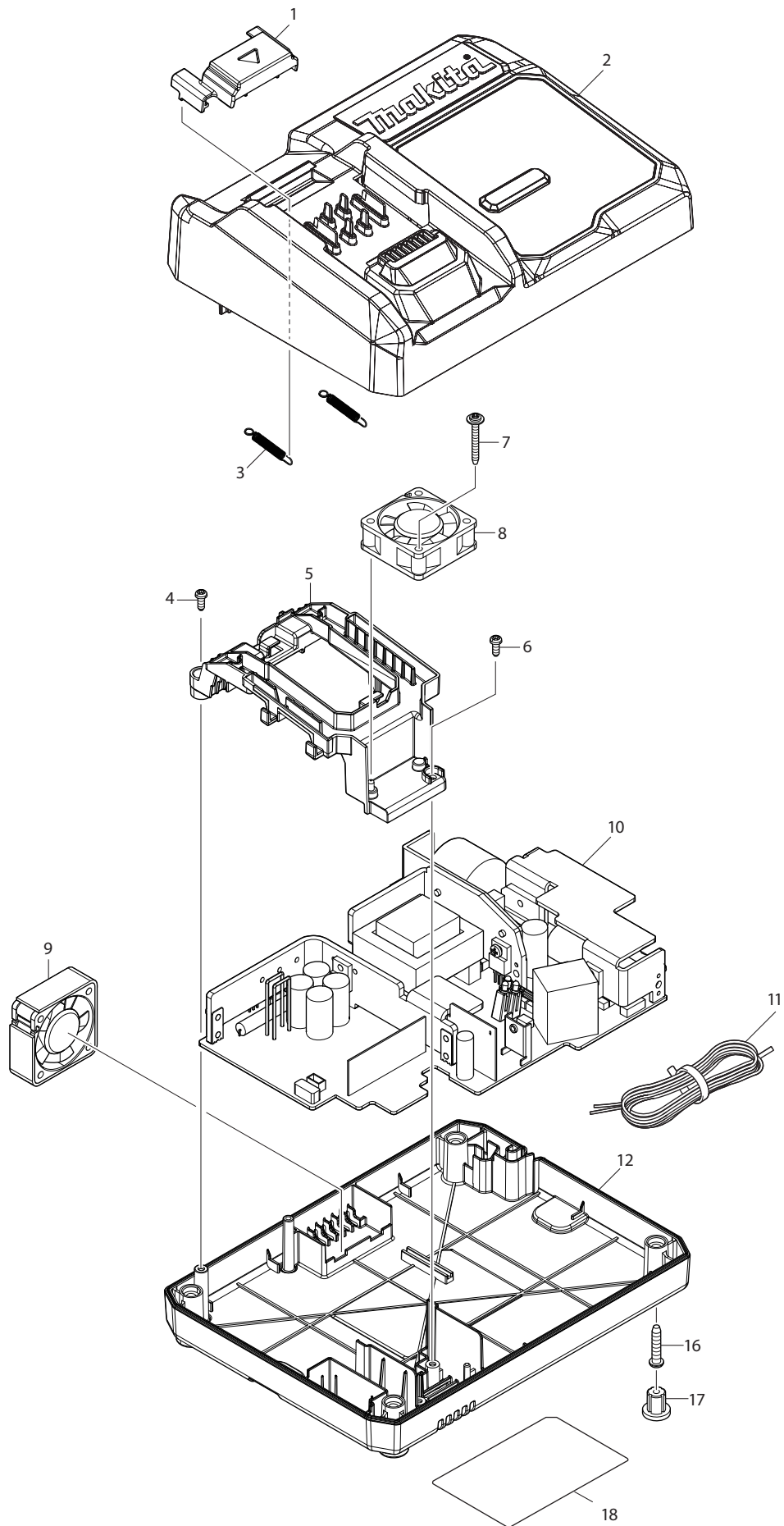
Model GSR02Z Parts List

A = Standard Equipment

O = Circuit Diagram

Item#	Part#	Description	Q'ty	Unit
001	266400-6	HEX. SOCKET HEX. BOLT M8X20	1	PC.
002	224613-5	OUTER FLANGE 40	1	
003	224603-8	INNER FLANGE 40	1	PC.
004	961202-2	RETAINING RING S-45	1	PC.
005	267219-6	FLAT WASHER 45	1	PC.
006	911531-3	P.H.SCREW M4X18 WITH WRM	1	PC.
007	271467-1	LEVER 40	1	
008	312A93-4	SAFETY COVER	1	
009	232675-9	TENSION SPRING 7	1	PC.
010	413356-6	SPACER	1	
011	285809-3	BEARING RETAINER 23-36	1	PC.
012	326941-5	SPINDLE	1	PC.
013	211251-2	BALL BEARING 6003LLB	1	PC.
014	257024-9	RING 17	1	PC.
015	265034-2	+ COUNTERSUNK HEAD SCREW M5X16	2	PC.
016	312A94-2	BEARING BOX	1	
017	265B77-6	+COUNTERSUNK HEAD SCREW M8X35	1	
018	262200-2	RUBBER SLEEVE 10	1	
019	213676-6	O RING 53	1	PC.
020	227873-8	HELICAL GEAR 57	1	
021	961057-5	RETAINING RING S-17	1	PC.
022	211031-6	BALL BEARING 608ZZ	1	PC.
023	140Y58-8	BLADE CASE COMPLETE	1	
	C10 213434-0	O RING 26	1	PC.
024	347168-4	SHAFT LOCK	1	PC.
025	286039-9	CAP	1	PC.
026	251529-1	+ PAN HEAD SCREW M4X14	1	PC.
027	232381-6	COMPRESSION SPRING 6	1	PC.
028	210059-1	BALL BEARING 6000DDW	1	PC.
029	519667-8	ROTOR ASSY	1	
	D10	INC. 28,30		
030	210022-4	BALL BEARING 626DDW	1	PC.
031	911531-3	P.H.SCREW M4X18 WITH WRM	2	PC.
032	413359-0	BAFFLE PLATE	1	
033	629A40-1	STATOR	1	
034	140Y63-5	MOTOR HOUSING COMPLETE	1	
	C10 263002-9	RUBBER PIN 4	1	PC.
035	911258-5	PAN HEAD SCREW M5X35	3	PC.
036	457963-5	DIAL 22	1	PC.
037	961017-7	STOP RING E-3	1	PC.
038	257953-6	BOW STOP RING E-12	1	PC.
039	271468-9	LEVER 56	1	PC.
040	264006-4	HEX. NUT M8-13	1	PC.
041	941201-0	FLAT WASHER 8	1	PC.
042	266229-0	H.S.SET SCREW(CUP POINT)M5X8	1	PC.
043	266229-0	H.S.SET SCREW(CUP POINT)M5X8	1	PC.
044	312A92-6	BASE	1	
045	266229-0	H.S.SET SCREW(CUP POINT)M5X8	1	PC.
046	327760-2	STOPPER PIN	1	PC.

047	251221-9	+ PAN HEAD SCREW M6	1 PC.
048	347169-2	ANGULAR GUIDE	1 PC.
049	256511-5	SHOULDER PIN 6-7	1 PC.
050	252014-7	HEX. LOCK NUT M6-10	1 PC.
051	266227-4	CAP SQUARE NECK BOLT M8X28	1 PC.
052	257953-6	BOW STOP RING E-12	1 PC.
053	271433-8	LEVER 59	1 PC.
054	252240-8	HEX. CAP NUT M8-13	1 PC.
055	256511-5	SHOULDER PIN 6-7	1 PC.
056	941201-0	FLAT WASHER 8	1 PC.
057	162953-2	DEPTH GUIDE	1
058	941201-0	FLAT WASHER 8	1 PC.
059	251538-0	HEX. BOLT M8X24	1 PC.
060	183S88-0	HANDLE SET	1
	C10 263005-3	RUBBER PIN 6	1 PC.
	C20 8027N0-4	CAUTION LABEL	1 PC.
	C30 8027M9-9	CAUTION LABEL	1 PC.
	D10	INC. 74	
061	922343-9	H.S.H.BOLT M6X25 WITH WR	4 PC.
062	413355-8	GRIP	1
063	911228-4	PAN HEAD SCREW M5X18	3 PC.
065	127771-5	HOOK ASSEMBLY	1 PC.
066	620E67-8	CONTROLLER	1
067	632P65-6	TERMINAL UNIT	1 PC.
068	183S18-1	TERMINAL BOX SET	1 SET
	C10 263005-3	RUBBER PIN 6	2 PC.
069	231433-0	COMPRESSION SPRING 4	1 PC.
070	457432-6	SWITCH LEVER	1 PC.
071	651083-9	SWITCH C3XA-1PSPM	1 PC.
072	457431-8	LOCK OFF BUTTON	1 PC.
073	231433-0	COMPRESSION SPRING 4	1 PC.
074	183S88-0	HANDLE SET	1
	C10 263005-3	RUBBER PIN 6	1 PC.
	C20 8027N0-4	CAUTION LABEL	1 PC.
	C30 8027M9-9	CAUTION LABEL	1 PC.
	D10	INC. 60	
075	266326-2	TAPPING SCREW 4X18	8 PC.
076	911228-4	PAN HEAD SCREW M5X18	2 PC.
077	347805-0	LOCK PLATE	1 PC.
078	266326-2	TAPPING SCREW 4X18	1 PC.
079	266326-2	TAPPING SCREW 4X18	4 PC.
080	266326-2	TAPPING SCREW 4X18	2 PC.
081	286045-4	CAP 40	1
082	858E56-5	GSR02NAME PLATE	1
083	858E63-8	GSR02SERIAL NO. LABEL	1 PC.
084	8012U4-2	XGT LOGO LABEL	1 PC.
085	652093-9	PAN HEAD SCREW M2X5	3
086	632R96-7	SENSOR UNIT	1
087	652069-6	FLAT HEAD SCREW M3X6	3 PC.
088	140G30-2	CAP COMPLETE	1 PC.
	C10 213218-6	O RING 16	1 PC.
	C20 818H48-4	CAP LABEL	1 PC.
A01	E-07272	MAX EFFICIENCY CIRCULAR SAW BL	1 PC.
A02	782016-4	OFFSET WRENCH 13	1 PC.
A03	140Y64-3	GRIP37 COMPLETE	1



Model DC40RA Parts List

A = Standard Equipment

O = Circuit Diagram

Item#	Part#	Description	Q'ty	Unit
001	459475-4	TERMINAL COVER	1	PC.
002	140N46-9	CHARGER CASE COMPLETE	1	PC.
	C10 459476-2	LENS	1	PC.
	C20 819V01-7	CHARGING CONDITION LABEL	1	PC.
003	232565-6	TENSION SPRING 4	2	PC.
004	265B02-7	TAPPING SCREW 3X8	1	PC.
005	459474-6	TERMINAL BASE	1	PC.
006	265B02-7	TAPPING SCREW 3X8	1	PC.
007	265A61-5	TAPPING SCREW FLANGE 3X25	1	PC.
008	632P24-0	FAN 40	1	PC.
009	632P25-8	FAN 40	1	PC.
010	620B41-8	CHARGING CIRCUIT	1	PC.
010	C11 647075-4	VARISTOR	1	PC.
	C20 652089-0	FUSE	1	PC.
011	667982-5	VINYL CORD #18-2-2.0	1	PC.
012	459846-5	CHARGER CASE COVER	1	PC.
016	265B01-9	TAPPING SCREW PT 4X20	4	PC.
017	286255-3	CAP 13	4	PC.
018	857F48-7	DC40RA NAME PLATE	1	PC.
E01	819V02-5	CAUTION LABEL	1	PC.