

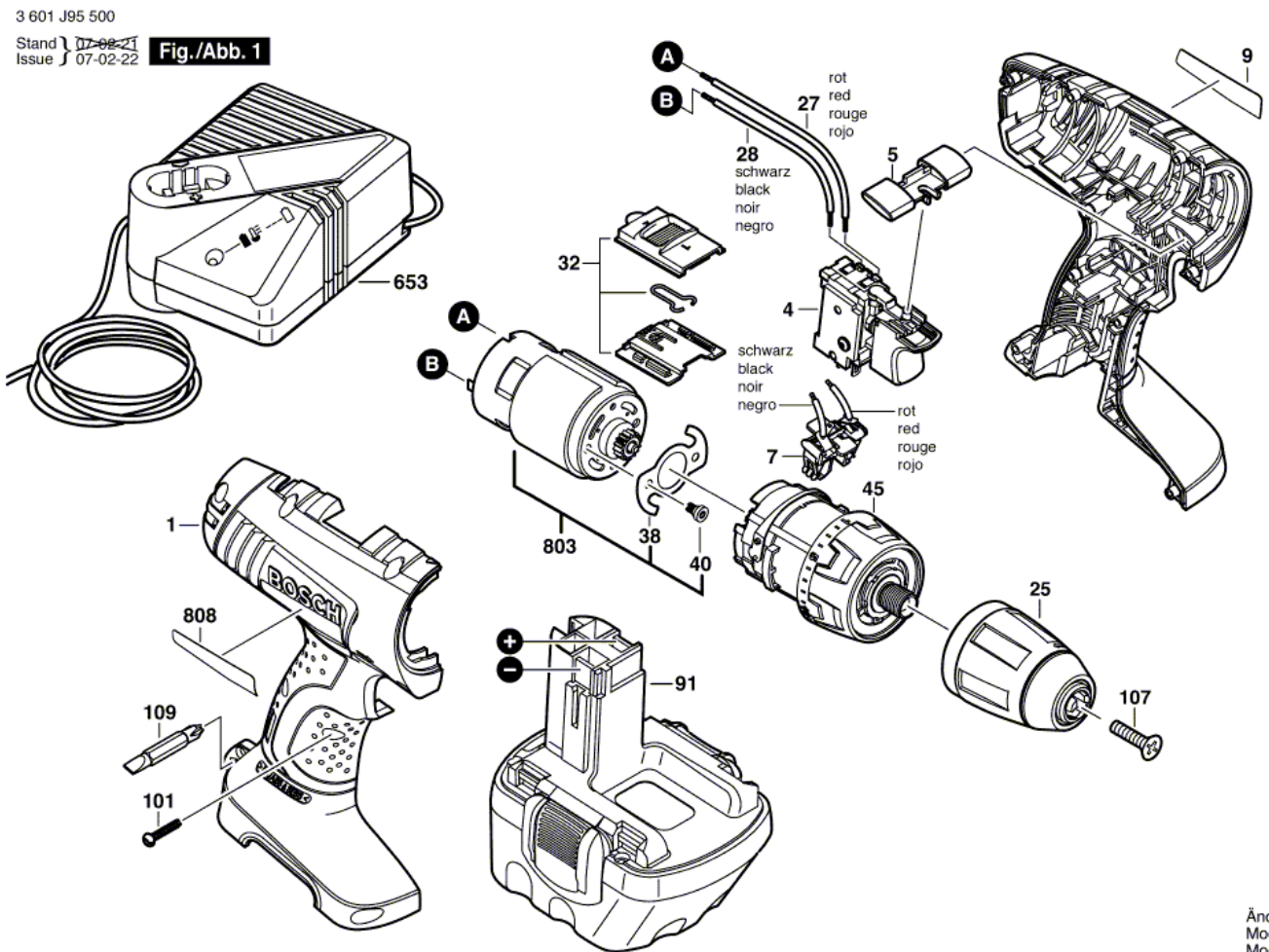
## Cordless Drill Driver - 3 601 J95 500 - GSR 12 V

www.powertools-aftersaleservice.com



**BOSCH**

| Item | Part Number   | Description                          | Illustration | Price | Quantity | Price Group |
|------|---------------|--------------------------------------|--------------|-------|----------|-------------|
| 1    | 2 609 100 501 | Housing                              | 1            | -,-   | 1        | 31          |
| 4    | 2 607 202 014 | Switch BLACK                         | 1            | -,-   | 1        | 35          |
| 5    | 2 609 100 504 | Reverse-Transfer Lever               | 1            | -,-   | 1        | 10          |
| 7    | 2 609 199 125 | Contact retainer RED                 | 1            | -,-   | 1        | 13          |
| 9    | 2 609 131 281 | Manufacturer's nameplate GSR 12      | 1            | -,-   | 1        | 13          |
| 25   | 2 609 110 660 | Keyless Chuck 10 MM                  | 1            | -,-   | 1        | 37          |
| 27   | 2 609 120 264 | Connecting Cable RED                 | 1            | -,-   | 1        | 10          |
| 28   | 2 609 120 263 | Connecting Cable BLACK               | 1            | -,-   | 1        | 10          |
| 32   | 2 609 199 119 | Slide Switch                         | 1            | -,-   | 1        | 14          |
| 38   | 2 609 110 633 | Tab Washer                           | 1            | -,-   | 1        | 11          |
| 40   | 2 609 110 634 | Screw                                | 1            | -,-   | 1        | 10          |
| 45   | 2 609 199 343 | Planetary Gear Train                 | 1            | -,-   | 1        | 38          |
| 91   | 2 607 335 261 | Slide-In Accu Package 12V,2,0Ah,NiCd | 1            | -,-   | 1        | 46          |
| 91   | 2 607 335 697 | Slide-In Accu Package 12V,2,0Ah,NiMh | 1            | -,-   | 1        | 51          |
| 101  | 2 609 110 201 | Torx Flat-Head Screw 3x16            | 1            | -,-   | 10       | 10          |
| 107  | 2 609 110 635 | Pan head screw M 6x30                | 1            | -,-   | 1        | 11          |
| 109  | 2 609 160 063 | Screwdriver Bit                      | 1            | -,-   | 1        | 15          |
| 653  | 2 607 224 425 | Fast Charger EU 230/7,2-24V, 1h      | 1            | -,-   | 1        | 46          |
| 653  | 2 607 224 427 | Fast Charger GB 230/7,2-24V, 1h      | 1            | -,-   | 1        | 47          |
| 653  | 2 607 224 425 | Fast Charger EU 230/7,2-24V, 1h      | 1            | -,-   | 1        | 46          |
| 653  | 2 607 224 427 | Fast Charger GB 230/7,2-24V, 1h      | 1            | -,-   | 1        | 47          |
| 803  | 2 609 199 126 | DC motor 12V                         | 1            | -,-   | 1        | 36          |
| 808  | 2 609 135 897 | Nameplate                            | 1            | -,-   | 1        | 13          |



Änderungen vorbehalten  
 Modifications reserved  
 Modifications reserves  
 Salvo modificaciones

Information subject to change without further notice.