



BOSCH

Cordless Drill Driver

GSR 12 V | 3 601 J95 580

Table of Content

Spare parts list.....	2
Illustration - Type.....	3

Cordless Drill Driver | GSR 12 V | 3 601 J95 580

Spare parts list

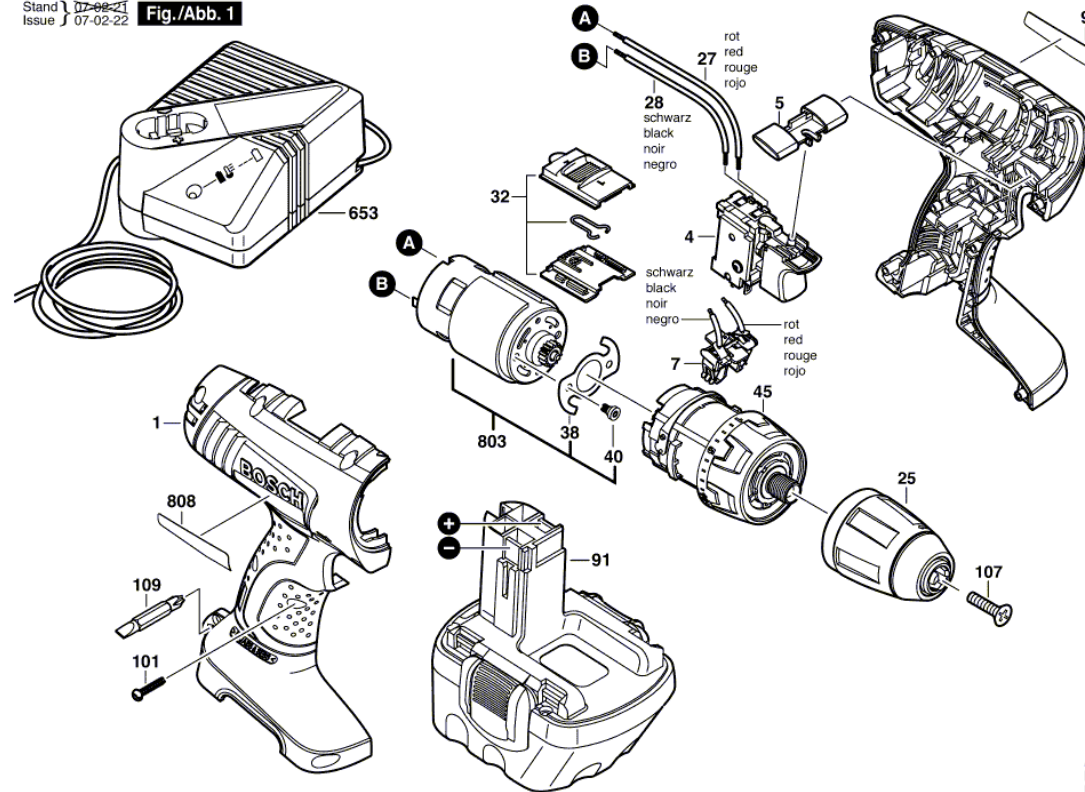
Item	Part Number	Description
1	2 609 100 501	Housing
4	2 607 202 014	Switch BLACK
5	2 609 100 504	Reverse-Transfer Lever
7	2 609 199 125	Contact retainer RED
9	2 609 131 281	Manufacturer's nameplate GSR 12
25	2 609 110 660	Keyless Chuck 10 MM
27	2 609 120 264	Connecting Cable RED
28	2 609 120 263	Connecting Cable BLACK
32	2 609 199 119	Slide Switch
38	2 609 110 633	Tab Washer
40	2 609 110 634	Screw
45	2 609 199 343	Planetary Gear Train
91	2 607 335 741	Slide-In Accu Package 12V, 2,0Ah,NiCd
101	2 609 110 201	Torx Flat-Head Screw 3x16
107	2 609 110 635	Pan head screw M 6x30
109	2 609 160 063	Screwdriver Bit
653	2 607 225 495	Fast Charger CN 220/7,2-24V, 1h
803	2 609 199 126	DC motor 12V
808	2 609 131 936	Nameplate

Illustration - Type - E

3 601 J95 500

Stand | 07-02-21
Issue | 07-02-22

Fig./Abb. 1



Änderungen vorbehalten
Modifications reserved
Modifications reserves
Salvo modificaciones