



**BOSCH**

# Cordless Drill Driver

GSR 12V-15FC | 3 601 JF6 080

---

## Table of Content

Spare parts list.....	2
Illustration - Type.....	3

**Cordless Drill Driver | GSR 12V-15FC | 3 601 JF6 080****Spare parts list**

<b>Item</b>	<b>Part Number</b>	<b>Description</b>	
1	2 609 100 824	Housing	BLUE
4	1 607 233 5DK	Electronics Module	
5	2 609 100 825	Changeover Lever	
9	1 601 11C 12J	Manufacturer's nameplate	GSR 12V-15 FC
20	2 609 100 826	Lens	
32	2 609 199 279	Switchover Unit	
41	2 609 132 378	Sticker	
45	1 600 A00 9AN	Gear Box	
70	2 609 110 537	Clip	
91	1 607 A35 0C5	Battery Pack	GBA 12V 2.0Ah Li SCM
101	2 609 110 883	Screw	
108	2 609 160 063	Screwdriver Bit	
653	2 607 226 095	Fast Charger	CN GAL 1230 CV 220/12V
802	2 609 199 258	DC motor	10,8V - 12V
808	1 601 11A 3RG	Nameplate	
855	1 600 A00 5HR	Chuck attachment	
856	1 600 A00 F3K	Bit holder	
857	1 600 A00 5HP	Right-angle attachment	
858	1 600 A00 F3N	Eccentric attachment	

Illustration - Type - E

3 601 JF6 000  
 Issue |  
 Stand | 16-10-07 **Fig./Abb. 1**

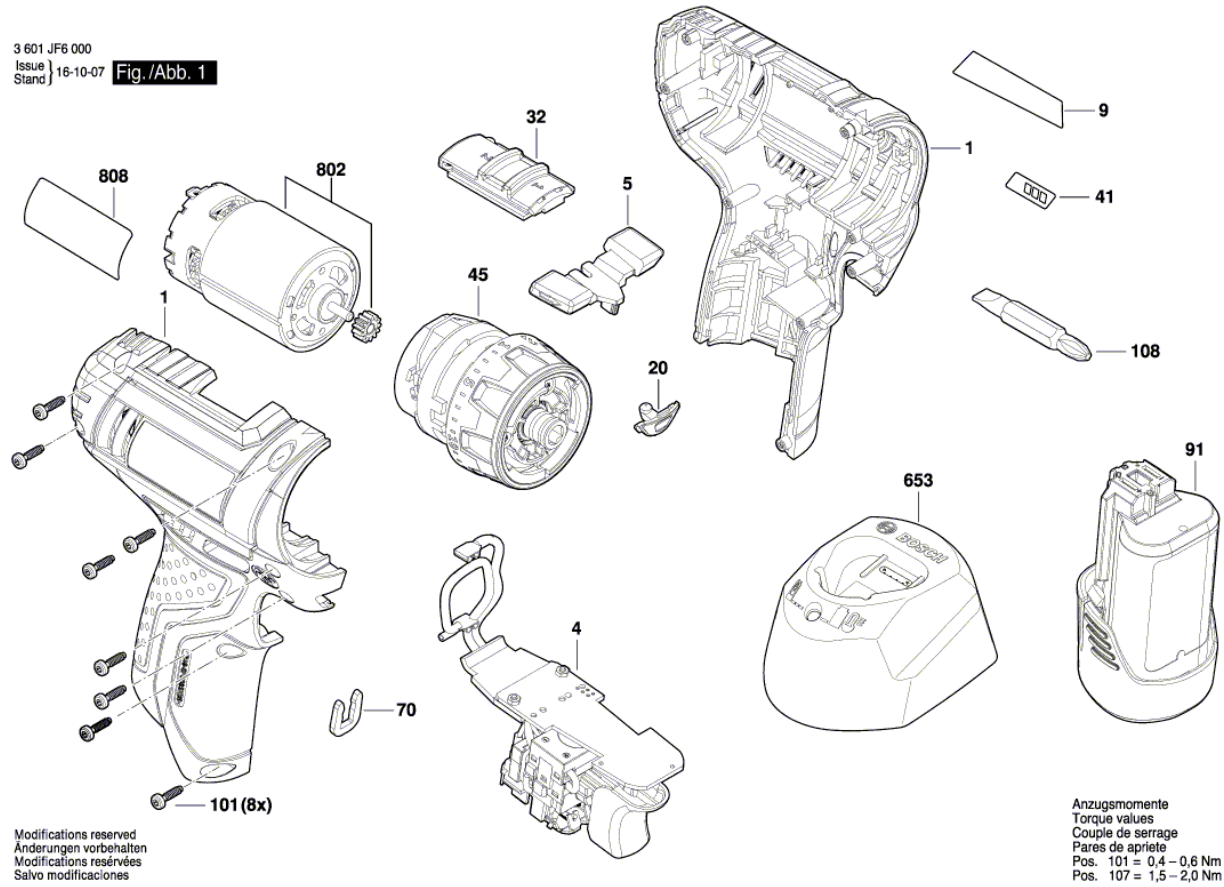
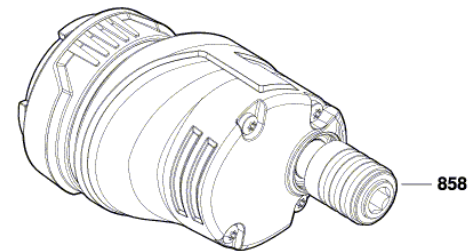
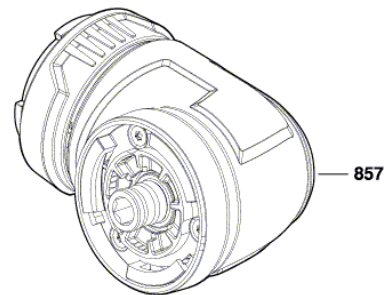
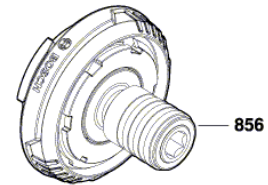
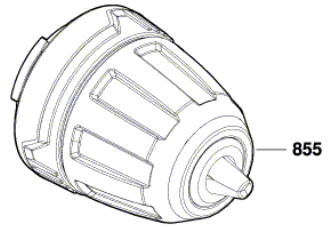


Illustration - Type - E

3 601 JF6 000  
Issue | 17-08-10  
Stand | **Fig./Abb. 2**



Modifications reserved  
Änderungen vorbehalten  
Modifications réservées  
Salvo modificaciones