



BOSCH

Cordless Drill Driver

GSR 14,4 V-LI | 3 601 H60 480

Table of Content

Spare parts list.....	2
Illustration - Type.....	3

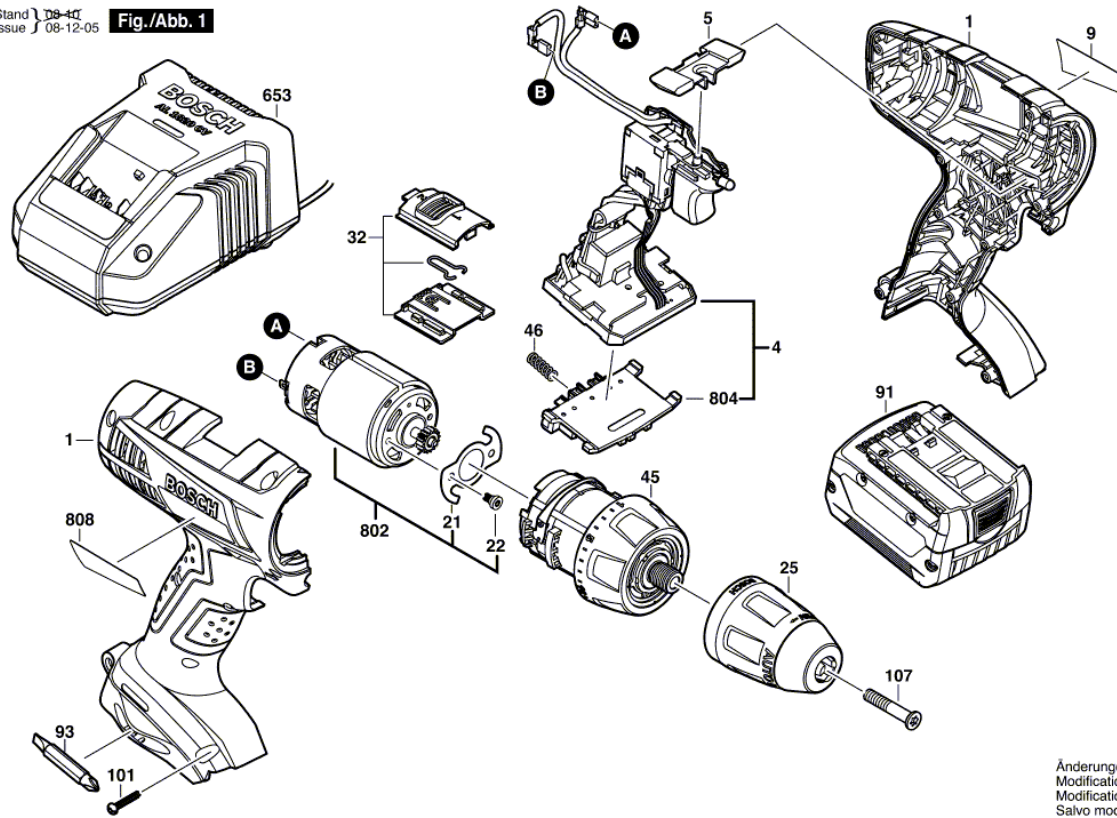
Spare parts list

Item	Part Number	Description	
1	2 605 105 134	Housing Section	BLUE
4	1 607 233 300	Electronic Module	
5	2 601 099 188	Adjusting Slide	
9	2 601 115 568	Manufacturer's nameplate	GSR 14,4V-LI
21	2 609 110 633	Tab Washer	
22	2 609 110 634	Screw	
25	2 608 572 251	Keyless Chuck	13 MM
32	2 601 099 189	Adjusting Slide	RED
45	2 606 200 262	Planetary Gear Train	
46	2 604 690 055	Compression Spring	
91	1 607 A35 0B9	Battery Pack	EU GBA 14.4V 2.0Ah Li SCM
93	1 609 200 147	Screwdriver Blade	6 MM
101	2 609 110 201	Torx Flat-Head Screw	3x16
107	2 609 110 635	Pan head screw	M 6x30
653	2 607 225 439	Fast Charger	CN 220/10,8-18V, 1h
802	2 607 022 833	DC motor	14,4V
804	1 609 280 474	Contact retainer	
808	2 609 132 296	Nameplate	

Illustration - Type - E

3 601 H60 480
 Stand | 08-12-05
 Issue | 08-12-05

Fig./Abb. 1



Änderungen vorbehalten
 Modifications reserved
 Modifications reserves
 Salvo modificaciones