



BOSCH

Cordless Drill Driver

GSR 18-2 | 3 601 J18 380

Table of Content

Spare parts list.....	2
Illustration - Type.....	3

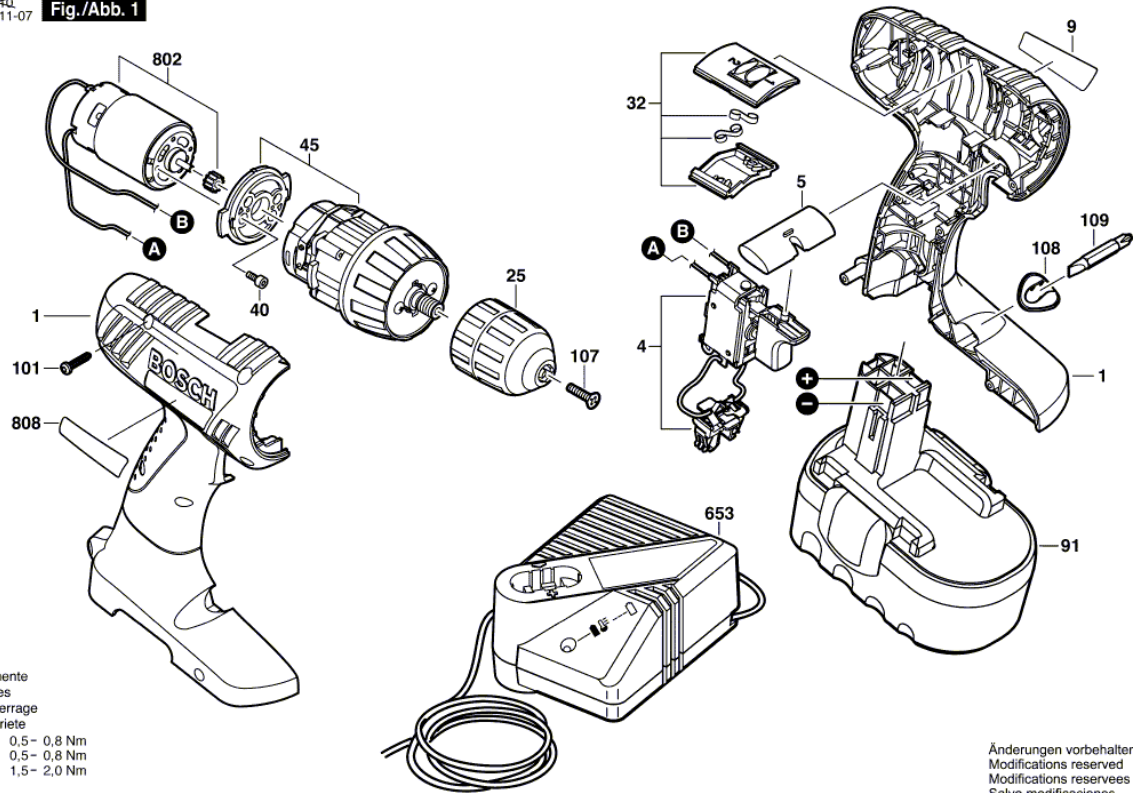
Spare parts list

Item	Part Number	Description	
1	2 609 100 775	Housing	BLUE
4	2 607 202 069	Switch	
5	2 609 100 744	Button	
9	2 609 132 382	Manufacturer's nameplate	GSR 18-2
25	2 609 110 495	Keyless Chuck	Ø1,0-10 MM, 3/8
32	2 609 120 202	Regulator	
40	2 609 110 802	Screw	
45	2 609 110 385	Planetary Gear Train	
91	2 607 335 713	Slide-In Accu Package	18V, 1,5 Ah, NiCd
101	2 609 110 201	Torx Flat-Head Screw	3x16
107	2 609 111 314	Countersunk-Head Screw	
108	2 607 001 443	Toolholder	
109	2 609 160 063	Screwdriver Bit	
653	2 607 225 495	Fast Charger	CN 220/7,2-24V, 1h
802	2 609 120 395	DC motor	18V
808	2 609 132 363	Nameplate	

Illustration - Type - E

3 601 J18 380
 Stand } 09-11-07
 Issue }

Fig./Abb. 1



Anzugsmomente
 Torque values
 Couple de serrage
 Pares de apriete
 Pos 40 = 0,5 - 0,8 Nm
 101 = 0,5 - 0,8 Nm
 107 = 1,5 - 2,0 Nm

Änderungen vorbehalten
 Modifications reserved
 Modifications reserves
 Salvo modificaciones