



**BOSCH**

# Cordless Drill Driver

GSR 18V-150 C | 3 601 JJ5 080

---

## Table of Content

Spare parts list.....	2
Illustration - Type.....	3

## Spare parts list

Item	Part Number	Description	
1	1 600 A01 RC8	Housing	
3	2 607 202 501	Switch	
4	1 607 233 5G8	Electronic Module	
5	1 600 A01 RH7	Changeover Lever	
7	1 600 A01 TN9	Cover unit	
9	1 601 11C 3BC	Manufacturer's nameplate	
16	1 600 A01 6CZ	Electronics Module	
17	1 600 A01 6ML	Cover Panel	
25	1 600 A02 HZ9	Keyless Chuck	
32	1 600 A01 C95	Switchover Unit	
45	1 600 A01 006	Gear Box	
46	1 609 280 477	Compression Spring	
47	1 607 233 5LS	Electronic Module	
48	1 607 233 5LY	Electronic Module	
101	2 609 110 353	Torx Oval-Head Screw	
107	2 603 421 229	Countersunk-Head Screw LEFTHAND THREADS	M6x23
657/1	2 609 111 584	Clip	
657/2	2 609 110 834	Screw	
658	2 609 199 748	Bit holder	
665	1 600 A01 ZE2	Electronics Module	
802	1 600 A02 4CL	Brushless DC motor	
804	1 600 A02 3LU	Contact retainer	
808	1 601 11A 844	Nameplate	
662	1 602 025 07Y	Auxiliary Handle	

Illustration - Type - E

3 601 JJ5 000

Stand } 21-03-02  
Issue } 21-05-14

Fig./Abb. 1

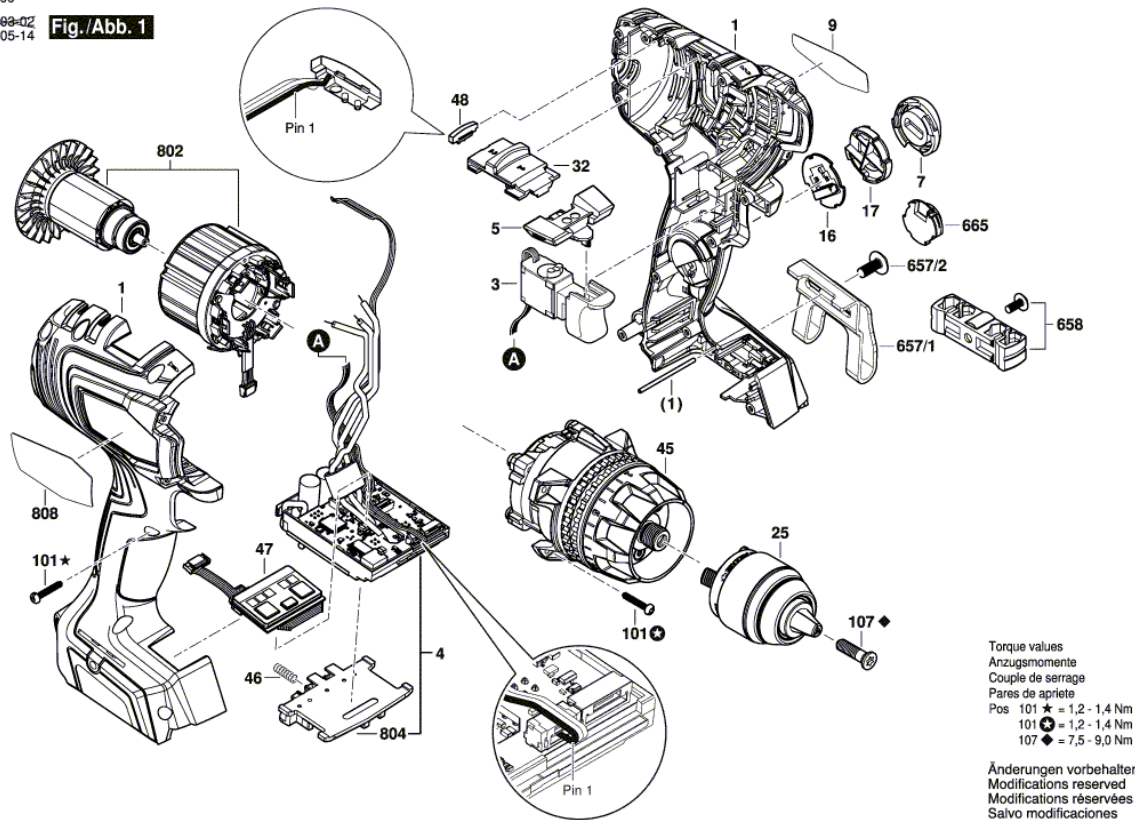
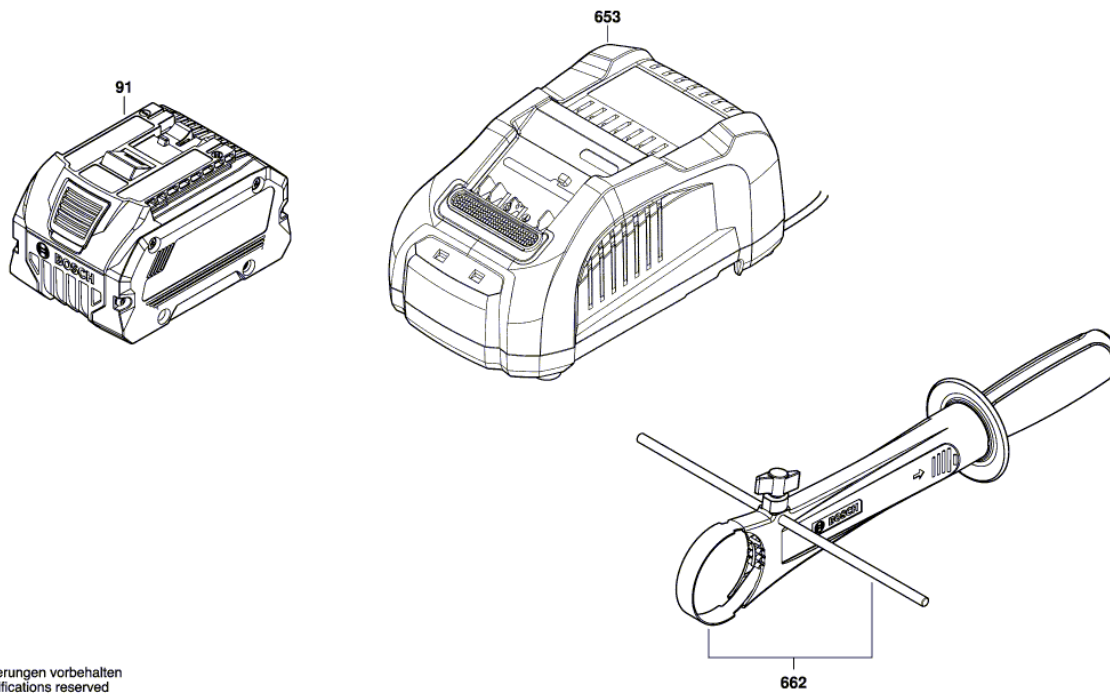


Illustration - Type - E

3 601 JJ5 000  
Stand } 21-01-18 **Fig./Abb. 2**  
Issue }



Änderungen vorbehalten  
Modifications reserved  
Modifications réservées  
Salvo modificaciones