



BOSCH

Cordless Drill Driver

GSR 18 V-LI | 3 601 H60 380

Table of Content

Spare parts list.....	2
Illustration - Type.....	3

Spare parts list

Item	Part Number	Description	
1	2 605 105 134	Housing Section	BLUE
4	1 607 233 302	Electronics Module	
5	2 601 099 188	Adjusting Slide	
9	2 601 115 607	Manufacturer's nameplate	GSR 18 V-LI
21	2 609 110 633	Tab Washer	
22	2 609 110 634	Screw	
25	2 608 572 251	Keyless Chuck	13 MM
32	2 601 099 189	Adjusting Slide	RED
45	2 606 200 233	Planetary Gear Train	
46	2 604 690 055	Compression Spring	
91	1 607 A35 0JR	Battery Pack	GBA 18V 1.5Ah
93	1 609 200 147	Screwdriver Blade	6 MM
101	2 609 110 201	Torx Flat-Head Screw	3x16
107	2 609 110 635	Pan head screw	M 6x30
653	2 607 225 439	Fast Charger	CN 220/10,8-18V, 1h
802	2 607 022 832	DC motor	18V
804	1 609 280 478	Contact retainer	
808	2 609 132 297	Nameplate	

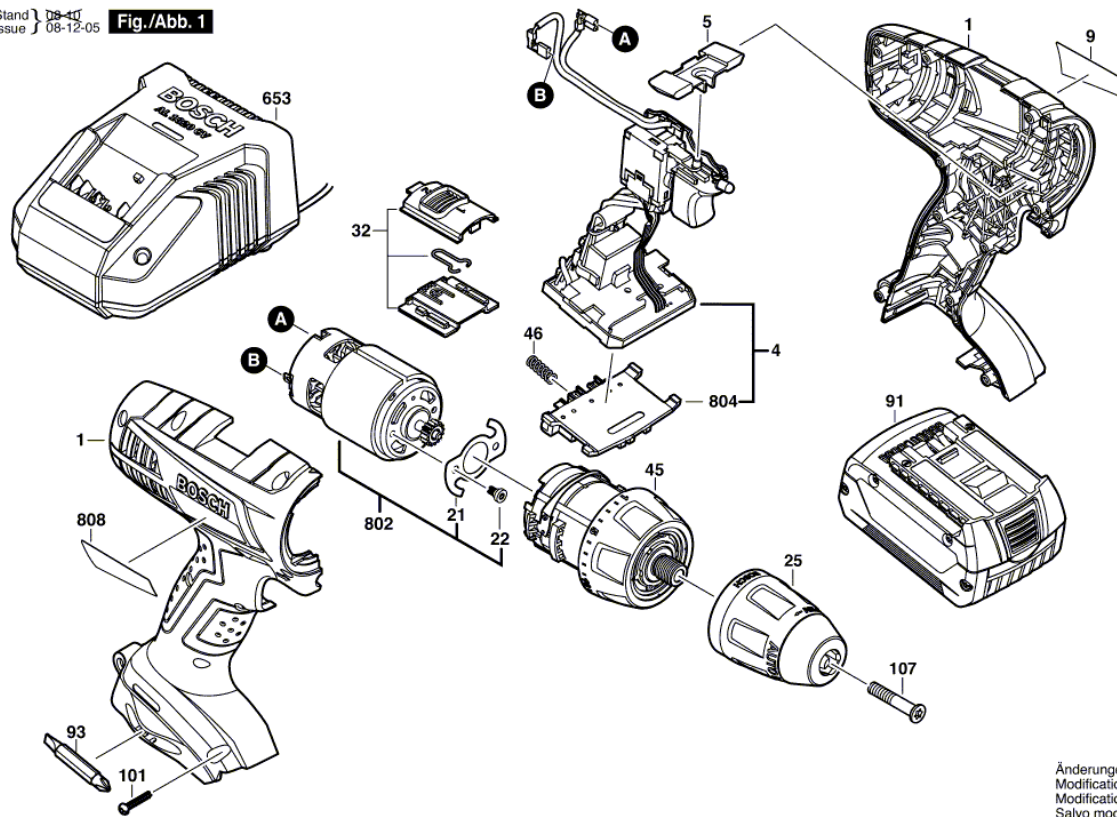
Illustration - Type - E

3 601 H60 380

Stand 1 08-11

Issue 08-12-05

Fig./Abb. 1



Änderungen vorbehalten
 Modifications reserved
 Modifications reserves
 Salvo modificaciones