

Batt-Oper Screwdriver - 0 601 951 364 - GSR 18 VE-...

www.powertools-aftersaleservice.com

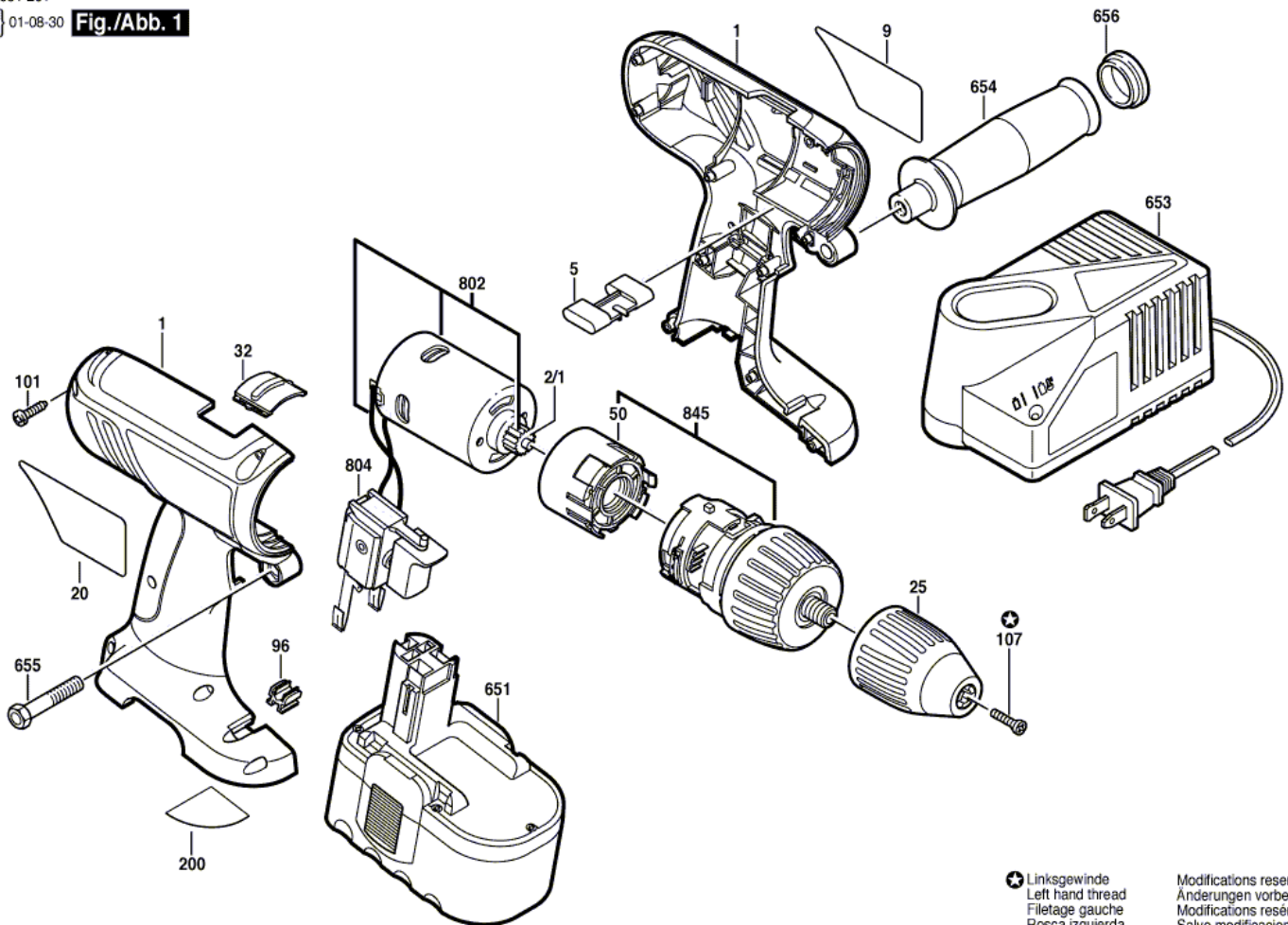


BOSCH

Item	Part Number	Description	Illustration	Price	Quantity	Price Group
1	2 605 104 677	Housing Section BLUE	1	-,-	1	30
2/1	2 606 316 202	Pinion	1	-,-	1	12
5	2 601 099 085	Adjusting Slide RED	1	-,-	1	13
9	2 610 998 401	Reference Plate	1	-,-	1	-
20	2 601 116 114	Warning Plate	1	-,-	1	15
25	2 610 991 210	Keyless Chuck	1	-,-	1	-
32	2 601 099 086	Adjusting Slide BLACK	1	-,-	1	12
50	2 605 719 901	Intermediate Flange	1	-,-	1	19
96	2 608 040 131	Support	1	-,-	1	12
101	2 603 490 018	Torx Oval-Head Screw 3x18	1	-,-	8	10
107	2 603 421 008	Countersunk-Head Screw	1	-,-	1	10
200	2 601 116 053	Reference Plate	1	-,-	1	15
651	2 607 335 671	Accumulator Battery 18V/2,0 Ah , NiCd, HD	1	-,-	1	51
653	2 607 224 431	Fast Charger USA 120/7,2-24V, 1h	1	-,-	1	48
654	2 602 025 108	Auxiliary Handle	1	-,-	1	30
655	2 911 061 207	Hex Screw M 6x35 DIN 933-8.8	1	-,-	1	10
656	2 610 998 827	Sealing cap	1	-,-	1	12
802	2 607 022 882	DC motor 18V	1	-,-	1	42
804	2 607 200 413	On-Off Switch	1	-,-	1	38
845	2 606 200 914	Planetary Gear Train	1	-,-	1	42

0 601 951 261
 Issue | 01-08-30
 Stand |

Fig./Abb. 1



★ Linksgewinde
 Left hand thread
 Filetage gauche
 Rosca izquierda

Modifications reserved
 Änderungen vorbehalten
 Modifications réservées
 Salvo modificaciones

Information subject to change without further notice.