



BOSCH

Orbital Sander

GSS 1400 | 3 601 BA2 080

Table of Content

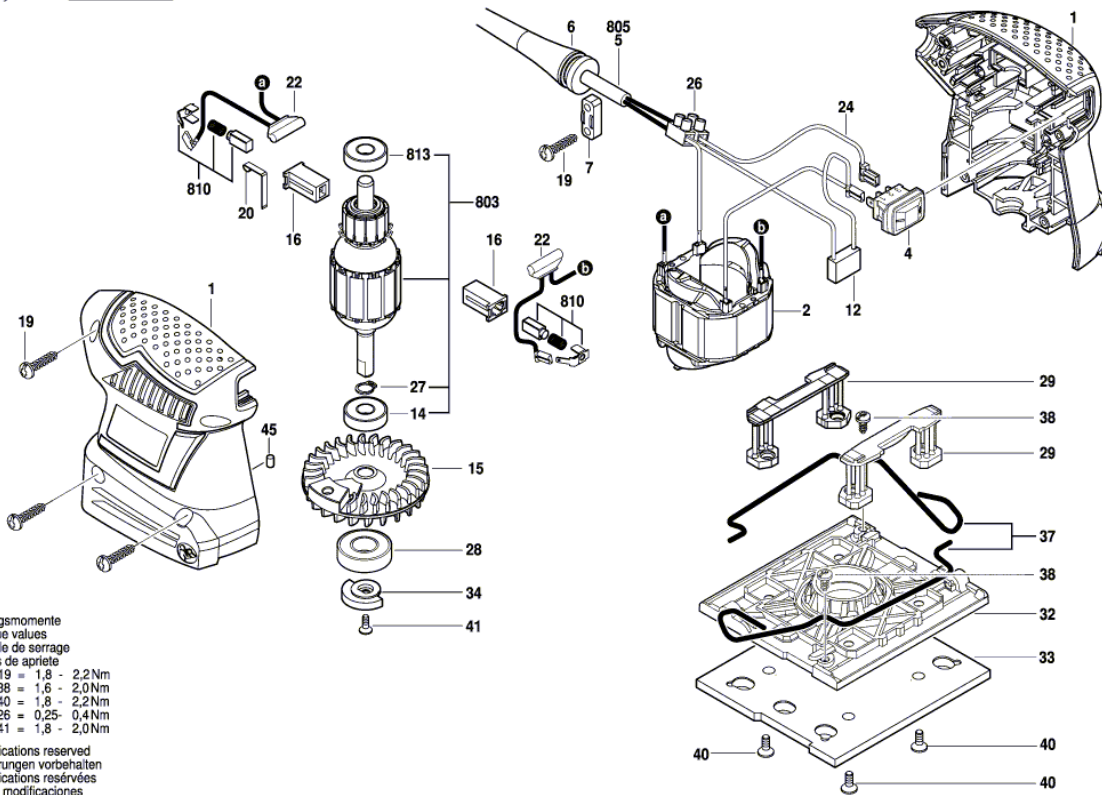
Spare parts list.....	2
Illustration - Type.....	3

Spare parts list

Item	Part Number	Description
1	2 609 101 365	Housing
2	1 604 220 408	Field 230-240V
4	1 607 200 190	Switch
5	2 609 120 103	Power supply cord CN 2,65m 2 x 0,75mm H05VV-F
6	2 600 703 017	Grommet Ø6,4-Ø7,2x76 MM
7	2 601 035 001	Cable Clip
12	2 609 120 543	Suppression Filter
14	2 609 110 153	Ball Bearing 8x22x7
15	2 610 920 618	Fan
16	2 610 320 548	Brush Holder
19	2 603 490 022	Screw 4x16
20	2 601 329 057	Contact Spring
22	2 610 920 619	Suppression Filter
24	2 609 120 579	Cable
26	2 610 910 009	Connection Block
27	2 916 540 005	Retaining ring DIN 7993-A8
28	2 609 110 748	Ball Bearing
29	2 609 101 302	Vibration Foot
32	2 609 101 073	Plate
33	2 609 170 217	Sander Plate
34	2 609 111 657	Counterweight
37	2 609 111 796	Clamp Handle
38	2 603 490 020	Torx Oval-Head Screw 4x8
40	2 610 915 161	Screw
41	2 609 111 845	Torx Oval-Head Screw
45	2 610 350 103	Pin
803	2 609 199 883	Armature 230V
810	2 609 120 199	Carbon-Brush Set
813	2 610 917 489	Ball Bearing

Illustration - Type - E

3 601 BA2 080
 Issue | 18-11
 Stand | 22-03-11 **Fig./Abb. 1**



Anzugsmomente
 Torque values
 Couple de serrage
 Pares de apriete
 Pos. 19 = 1,8 - 2,2Nm
 38 = 1,6 - 2,0Nm
 40 = 1,8 - 2,2Nm
 26 = 0,25 - 0,4Nm
 41 = 1,8 - 2,0Nm

Modifications reserved
 Änderungen vorbehalten
 Modifications réservées
 Salvo modificaciones