



**BOSCH**

# Orbital Sander

GSS 280 A | 0 601 293 043

---

## Table of Content

Spare parts list.....	2
Illustration - Type.....	4

## Spare parts list

Item	Part Number	Description
1	2 605 104 538	Motor Housing BLUE
2	2 604 220 529	Field 230-240V
3	2 604 011 110	Armature 230-240V
3/13	2 600 905 051	groove ball bearing 7x19x6
3/60	2 606 610 076	Fan
4	2 607 200 260	Switch
5	1 604 460 227	Power supply cord CN 2,65m 2 x 1,0mm H05 RN-F
6	2 600 703 017	Grommet Ø6,4-Ø7,2x76 MM
7	2 601 035 001	Cable Clip
9	2 601 118 940	Manufacturer's nameplate
12	1 617 328 026	Suppression Filter
14	1 619 P00 290	groove ball bearing
16	2 604 337 016	Brush Holder
18	2 603 410 001	Socket head cap screw M3x6,5-4.8
19	2 603 490 022	Screw 4x16
21	2 603 490 017	Torx Oval-Head Screw 3x10
25	2 916 640 006	Spring retaining ring DIN 471 9x1MM
26	2 606 610 086	Fan
28	2 600 499 042	Eccentric
29	2 603 410 048	Thread-forming tap. Screw M4x8
32	2 601 329 053	Contact Strap
34	2 608 045 023	Tensioning Lever
35	2 600 290 030	V-Ring
36	2 605 500 125	Housing Cover BLUE
37	2 915 121 006	Square Nut DIN 562-M6-04
39	2 608 000 168	Sander Plate
41	2 600 590 013	Sealing disk
43	2 603 435 042	Thread-forming tap. Screw
44	2 600 282 018	Suction Hood
45	2 601 328 055	Air Guide Plate
46	2 601 328 054	Suction Socket
47	2 601 005 017	Felt Strip
48	2 600 034 007	Air-Deflector Ring
49	2 601 035 002	Pusher

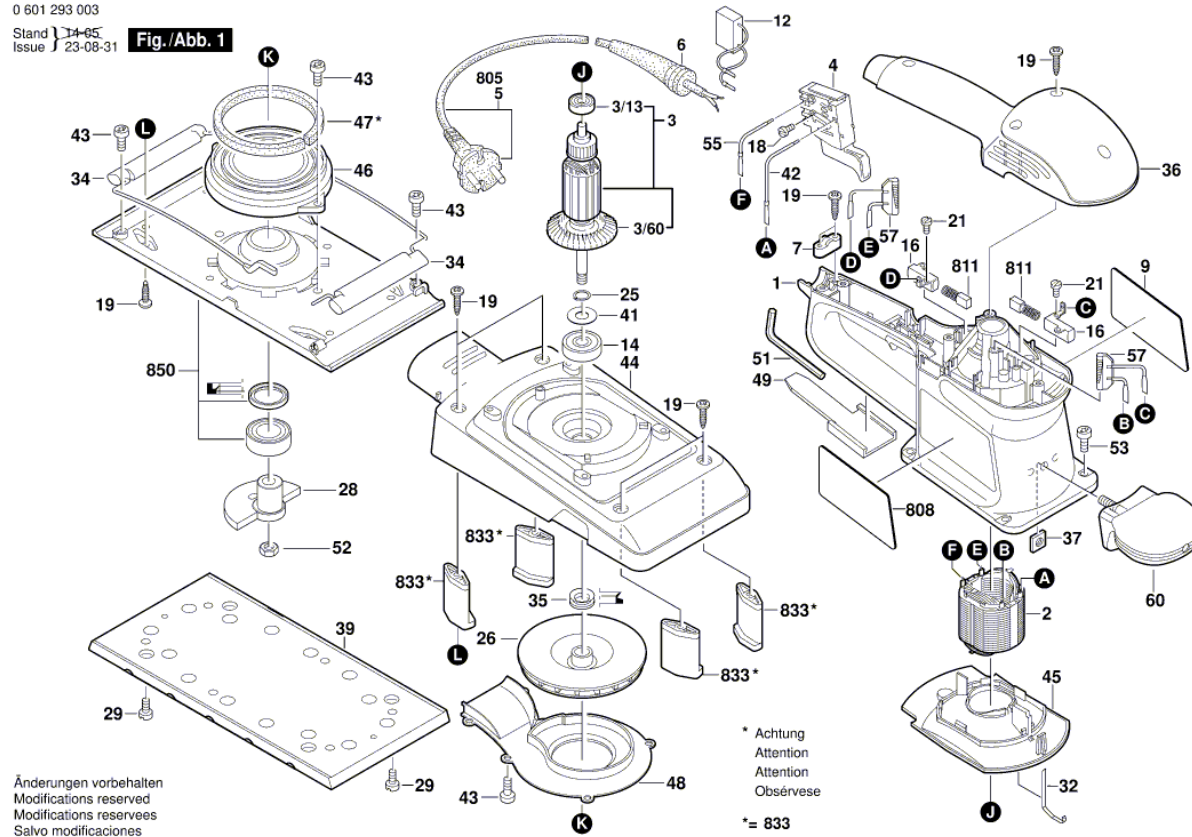
## Spare parts list

Item	Part Number	Description
51	2 610 364 015	Hexagon Socket Screw Key 5 MM
52	2 915 051 107	Hex Nut DIN 439-BM8-04
53	2 603 410 049	Thread-forming tap. Screw M4x12 MM
55	2 604 448 146	Connecting Cable L=110 MM WHITE
57	2 604 465 090	Suppression Filter
60	2 602 026 069	Auxiliary Handle BLACK
808	2 601 117 167	Marking Plate
811	1 607 014 117	Carbon Brush
833	2 608 005 902	Spring 4 PIECE
850	2 608 000 928	Swing-Plate
754	2 605 411 112	Dust Bag 1 PIECE
754/1	2 605 411 113	Dust Bag 3 PIECE
754/2	2 605 411 114	Dust Bag 10 PIECE

Illustration - Type - E

0 601 293 003  
 Stand 14-05  
 Issue 23-08-31

Fig./Abb. 1



Änderungen vorbehalten  
 Modifications reserved  
 Modifications reserves  
 Salvo modificaciones

\* Achtung  
 Attention  
 Attention  
 Obsérvese

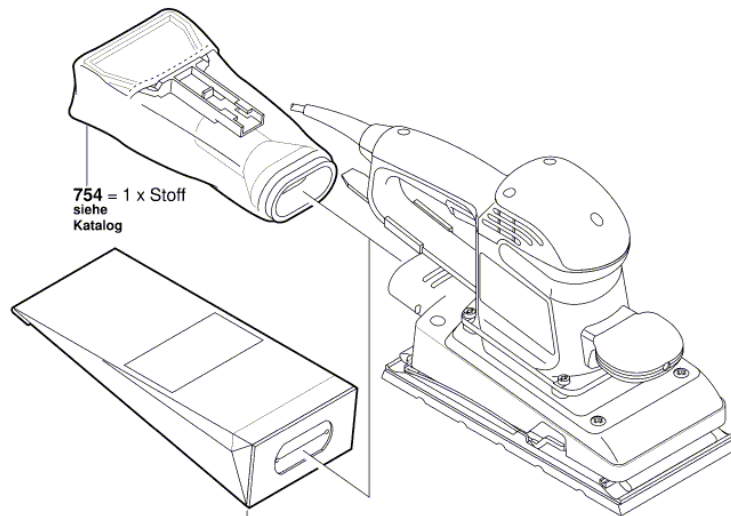
\* = 833

Illustration - Type - E

0 601 293 003

Stand } 30-10  
Issue } 03-02-07

Fig./Abb. 2



754 = 1 x Stoff  
siehe  
Katalog

754/1 = 3 x Papier  
754/2 = 10 x Papier  
siehe  
Katalog

Änderungen vorbehalten  
Modifications reserved  
Modificaciones reservadas  
Salvo modificaciones

