



BOSCH

Cordless Jigsaw

GST18V-60BC | 3 601 EB1 010

Table of Content

Spare parts list.....	2
Illustration - Type.....	4

Spare parts list

Item	Part Number	Description	Illustration
1	1 605 806 64P	Housing Section	1
4	1 607 233 5MW	Electronics Module	1
5	1 600 A02 JL4	Electronic Assembly	1
6	1 619 P17 197	Electronics Module	1
7	1 607 233 5PL	Electronics Module	1
9	1 601 11C 4UH	Manufacturer's nameplate	GST18V-60C 1
10	1 600 A02 166	Safety Switch	1
13	2 603 100 056	Damping rubber	1
17	1 600 A02 0YW	Control Lever	1
18	2 600 040 004	fixing plate	1
19	1 600 A02 F68	Base Plate	1
20	1 600 A02 0MG	Ejection Lever	1
21	1 604 651 01K	Torsion Spring	1
22	2 600 100 123	Shim	1
23	2 609 110 201	Torx Flat-Head Screw	3x16 1
24	1 600 A02 8FZ	Protecting Cover	1
25	1 609 280 477	Compression Spring	1
27	1 603 430 063	Screw	M6x25 Tuflok DIN267-28 1
28	1 603 430 07C	Screw	1
29	2 603 410 048	Thread-forming tap. Screw	M4x8 1
30	1 600 A01 BX9	Work Board	1
31	1 600 A02 0YY	Air Deflection	1
32	1 600 A02 JL3	Guide	1
33	1 603 430 08J	Screw	1
34	1 600 A01 BV3	Ratchet Cap	1
35	1 601 11C 53D	Sticker	1
180	1 600 A02 E8M	Warning Label	1
181	1 601 11C 5E2	Reference Plate	1
663	1 600 A01 C3Z	Suction Nozzle	1
664/3	1 600 A02 08K	Splintering Protector	1
668	1 600 A01 T4N	Covering hood	1
802	1 607 000 EW9	EC motor	1
808	1 601 11A 9U1	Nameplate	1
815	1 607 000 EX0	Gear Unit	1
91	2 607 336 819	Battery Pack	USA BAT620 18V 4,0Ah 2

Spare parts list

Item	Part Number	Description	Illustration
653	2 607 225 927	Charger	USA BC 1880 CV 13,3-18V/120V

Illustration - Type - E

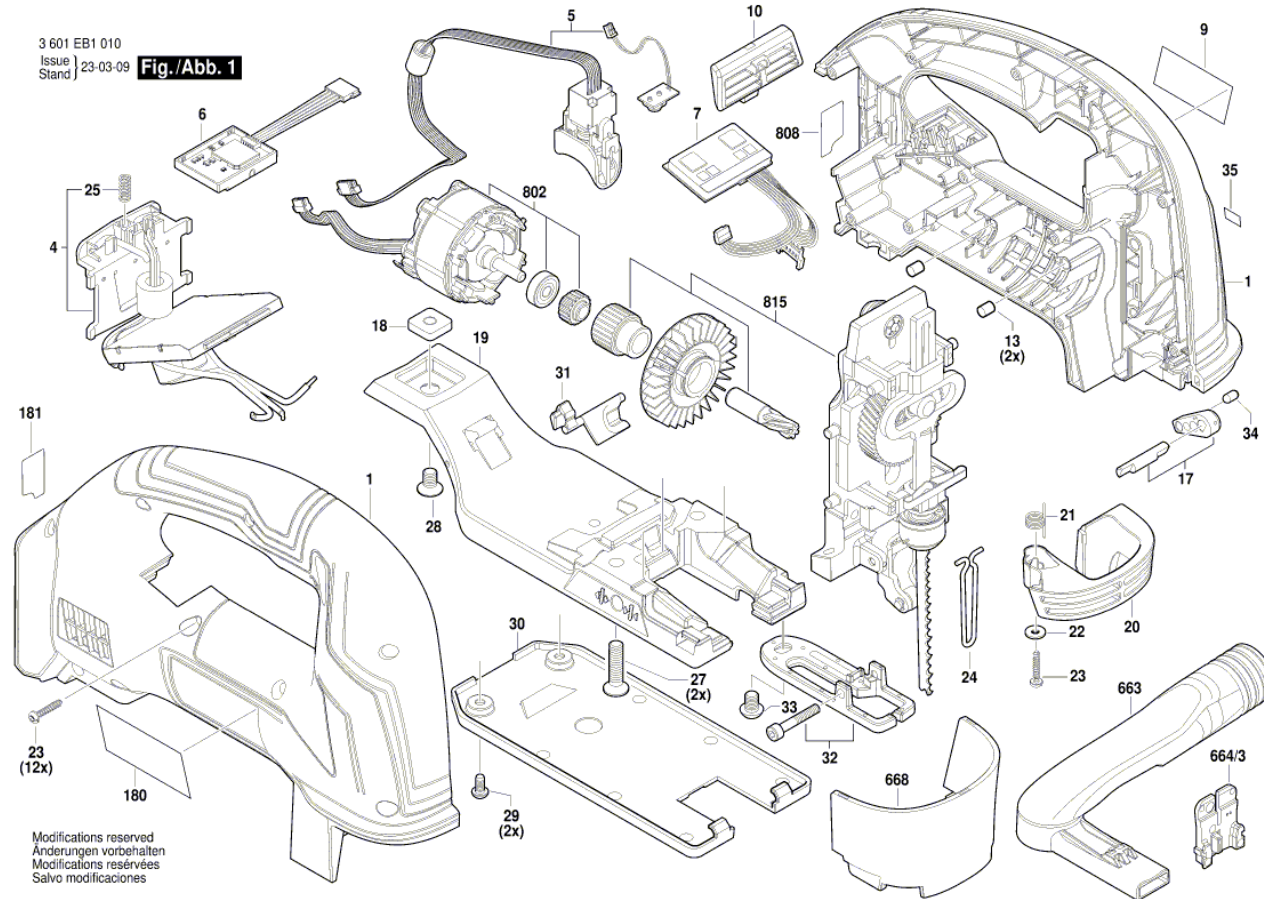
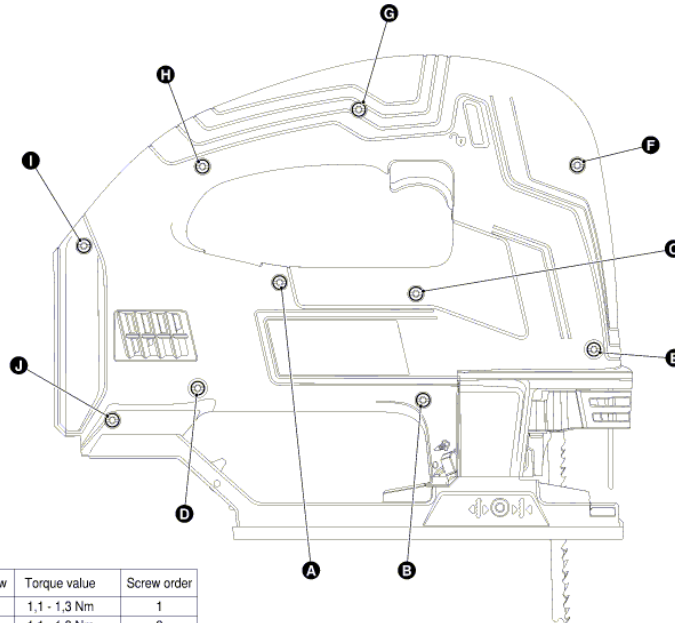
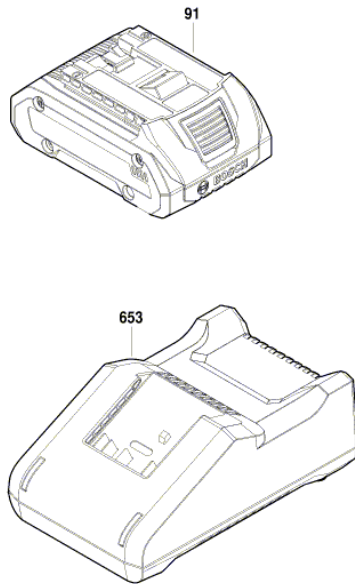


Illustration - Type - E

3 601 EB1 010
 Issue | 23-03-09
 Stand | **Fig./Abb. 2**



Screw	Torque value	Screw order
A	1,1 - 1,3 Nm	1
B	1,1 - 1,3 Nm	2
C	1,1 - 1,3 Nm	3
D	1,1 - 1,3 Nm	4
E	1,1 - 1,3 Nm	5
F	1,1 - 1,3 Nm	6
G	1,1 - 1,3 Nm	7
H	1,1 - 1,3 Nm	8
I	1,1 - 1,3 Nm	9
J	1,1 - 1,3 Nm	10

Modifications reserved
 Änderungen vorbehalten
 Modifications réservées
 Salvo modificaciones