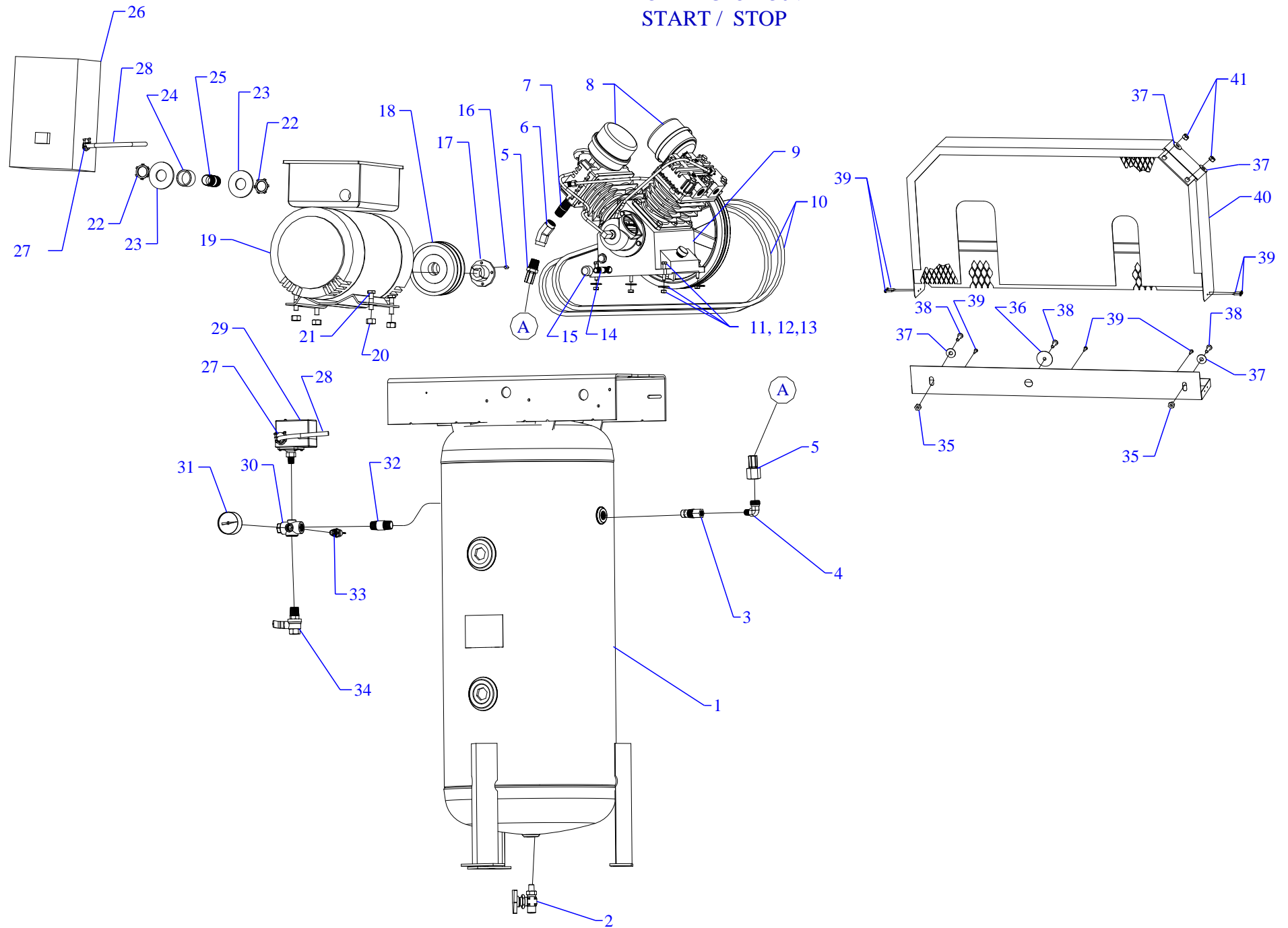


MODEL GT5B-30V
START / STOP



Parts List for Model GT5B-30 Vertical Single & Three Phase

NOTE: The quantity number indicates the total number of pieces required for a complete unit repair.

When ordering parts give compressor model, serial number and part number. Order assemblies when possible.

| <u>REF. NO.</u> | <u>PART NO.</u> | <u>DESCRIPTION</u> | <u>QTY.</u> |
|-----------------|-----------------|--|-------------|
| 1 | 411-1063 | TANK,VERTCL,30G,UNB,F&K&GE,V30U-2 | 1 |
| 2 | 141-1077 | VALVE,BALL,LEVER,1/4 TURN,1/4"M X 1/4"F | 1 |
| 3 | 141-1035 | VALVE,CHECK,INSERT,3/4"M X 1/2"F | 1 |
| 4 | 121-1015 | ELBOW,MALE,BRASS,5/8-45SAEX1/2"NPTM | 1 |
| 5 | 360-1176 | AFTERCOOLER,HOSE,SS,TEFLON,5/8"ODX28"L | 1 |
| 6 | 122-1063 | ELBOW,FEMALE,MI,PLTD,45 DEG,1/2"NPT | 1 |
| 7 | 122-1116 | NIPPLE,CLOSE,STEEL,SCH 80,PLATED,1/2" | 1 |
| 8 | 320-1121 | FILTER,W/DECALS,ASSY,G154S | 2 |
| 9 | 421-1819 | PUMP,CMPSR,PISTON,REPLCMT,BLUE,GT | 1 |
| 10 | 154-4L620 | BELT,VEE,A60,4L-620 | 2 |
| 11 | 120-1220 | SCREW,CAP,HEXHD,GR5,ST,PLD,1/4-20X1-3/4 | 4 |
| 12 | 120-1116 | NUT,LOCK,FLANGE,HEX,SERR,ST,PLTD,1/4-20 | 4 |
| 13 | 120-1070 | WASHER,FLAT,STEEL,PLATED,SAE,1/4" | 4 |
| 14 | 122-1037 | NIPPLE,STEEL,SCH 40,3/8" X 2" L | 1 |
| 15 | 122-1084 | CAP,FEMALE,MI,3/8"NPT | 1 |
| 16 | 120-1108 | KEY,STEEL,BLACK,3/16X3/16X 1-1/2" LENGTH | 1 |
| 17 | 154-1093 | BUSHING,PULLEY,TAPERED,H,1-1/8 | 1 |
| 18 | 154-1056 | PULLEY,CI,DG,TH,7.0PDA,2AK74H | 1 |
| 19 | 130-1026 | MOTOR,5HP,230/60/1,1735RPM,ODP | 1 |
| 19* | 130-1027 | MOTOR,5HP,200/60/1,1745RPM,ODP | 1 |
| 19** | 130-1028 | MOTOR,5HP,200/60/3,1740RPM,ODP | 1 |
| 19*** | 130-1029 | MOTOR,5HP,230/460/3,1750RPM,ODP | 1 |
| 20 | 120-1018 | SCREW,FLANGE,HEX,SERR,ST,PLD,5/16-18X3/4 | 4 |
| 21 | 120-1119 | NUT,LOCK,FLANGE,HEX,SERR,ST,PLTD,5/16-18 | 4 |
| 22 | 123-1036 | NUT,LOCK,CONDUIT,3/4" | 2 |

Parts List for Model GT5B-30 Vertical Single & Three Phase

NOTE: The quantity number indicates the total number of pieces required for a complete unit repair.

When ordering parts give compressor model, serial number and part number. Order assemblies when possible.

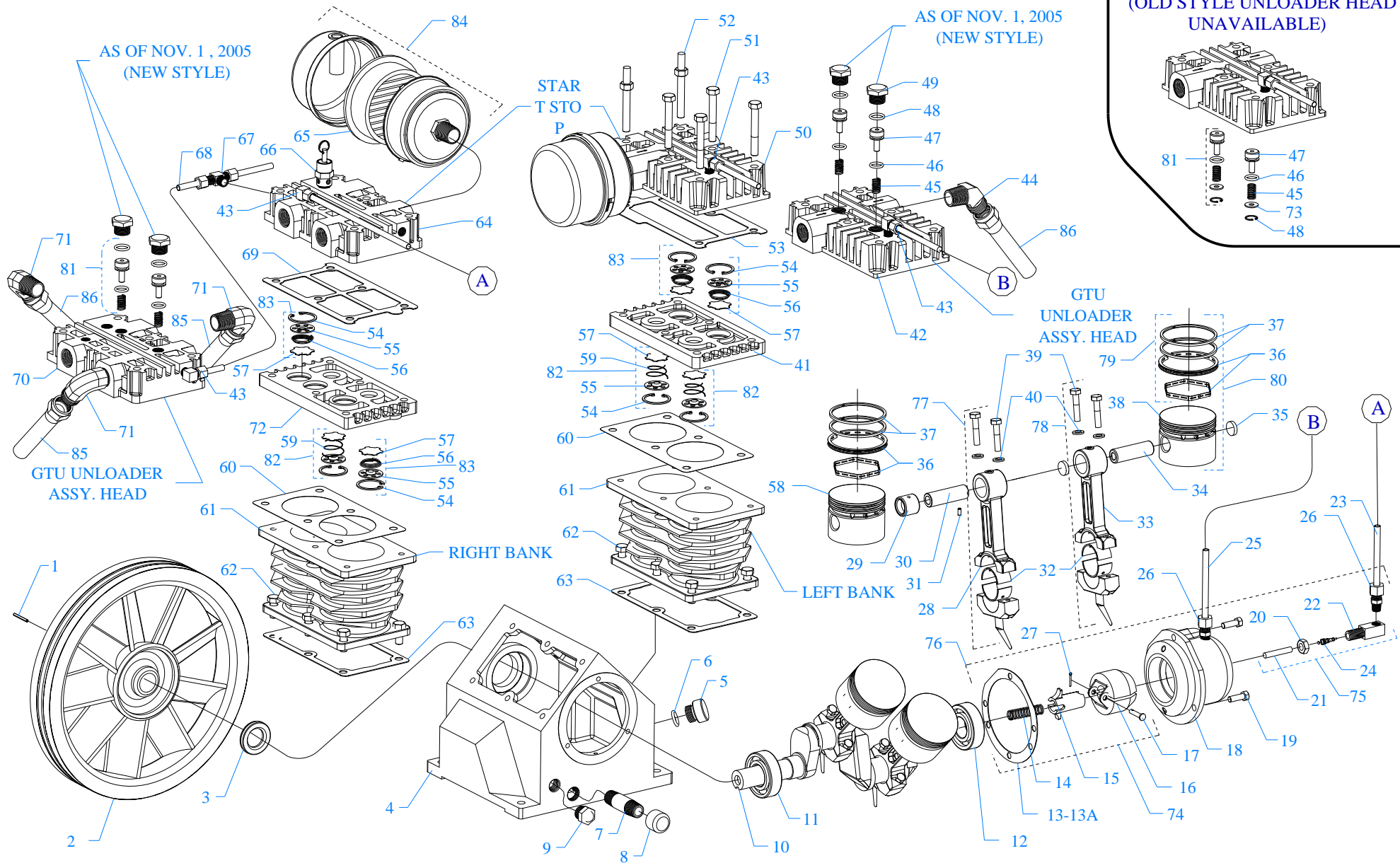
| <u>REF. NO.</u> | <u>PART NO.</u> | <u>DESCRIPTION</u> | <u>QTY.</u> |
|-----------------|-----------------|---|-------------|
| 23 | 123-1043 | WASHER,REDUCING,ST,PL,1-1/4" X 3/4" | 2 |
| 24 | 152-1182 | SPACER,STARTER,MAGNETIC,ST,1.5ODX1.25ID | 1 |
| 25 | 122-1096 | NIPPLE,STEEL,SCH 40,3/4" X 2" L | 1 |
| 26 | 330-1013 | STARTER,1P,30A,230V,ASSY,SVC,FMGSC-1-230 | 1 |
| | 140-1028-E65 | OVERLOAD,HEATER,STARTER,MAGNETIC,E65 200/230V | 1 |
| 27 | 123-1029 | CONNECTOR,ROMEX,CLAMP,STRAIGHT,3/8" | 2 |
| 28 | 123-1003 | WIRE,ASSY,BX,14/2,WITH GROUND | 2FT |
| 29 | 140-1072 | SWITCH,PSI,2HP,115-175#,PB | 1 |
| 30 | 220-1059 | BLOCK,MANIFOLD,AL,5 PORT,SPRINKLER,MC-5S | 1 |
| 31 | 142-1001 | GAUGE,PSI,300#,BK MT,JENNY,2",1/4NPT,PG3 | 1 |
| 32 | 122-1088 | NIPPLE,STEEL,SCH 80,PLATED,1/2" X 2" | 1 |
| 33 | 141-1011 | VALVE,SAFETY,ASME,1/4",200 PSI,SVU200 | 1 |
| 34 | 141-1078 | VALVE,BALL,OUTLET,1/4 TURN,1/2"M X 1/2"F | 1 |
| 35 | 120-1116 | NUT,LOCK,FLANGE,HEX,SERR,ST,PLTD,1/4-20 | 2 |
| 36 | 120-1072 | WASHER,FENDER,ST,PLATED,1/4"X1-1/2"OD | 1 |
| 37 | 120-1075 | WASHER,FLAT,STEEL,PLATED,5/16" | 4 |
| 38 | 120-1267 | SCREW,PAN HD,PHIL,STEEL,PLTD,1/4-20 X 1" | 3 |
| 39 | 120-1177 | SCREW,SELF DRILL,HEX,ST,PL,12 X 3/4 | 7 |
| 40 | 320-1021 | BELTGUARD,ELECTRIC,GT/EQ,ASSY,BLUE,BGEQ | 1 |
| 41 | 120-1119 | NUT,LOCK,FLANGE,HEX,SERR,ST,PLTD,5/16-18 | 2 |
| NOT SHOWN | 610-1225 | KIT,ELEMENT,FILTER,G54E,PKG OF 4,G54EP | 1 |
| NOT SHOWN | 105-1209 | OIL,PUMP,SYNTHETIC,BLUE,1 QUART,ESQ | 1 |
| NOT SHOWN | 330-1022 | MAG STR,25A,3P,200/208/230V,MGSA-3-230 | 1 |
| OPTIONAL | 140-1028-E60 | OVERLOAD,HEATER,STARTER,MAGNETIC,E60 230V | 3 |
| | 140-1028-E61 | OVERLOAD,HEATER,STARTER,MAGNETIC,E61 200V | 3 |
| NOT SHOWN | 330-1023 | MAG STRT,25A 3P 460V,SVC RPLM,MGSA-3-460 | 1 |

Parts List for Model GT5B-30 Vertical Single & Three Phase

NOTE: The quantity number indicates the total number of pieces required for a complete unit repair.

When ordering parts give compressor model, serial number and part number. Order assemblies when possible.

| <u>REF. NO.</u> | <u>PART NO.</u> | <u>DESCRIPTION</u> | <u>QTY.</u> |
|-----------------|-----------------|--------------------------------------|-------------|
| OPTIONAL | 140-1028-E50 | OVERLOAD,HEATER,STARTER,MAGNETIC,E50 | 3 |



MODEL GT & GTU
 Four Cylinder - Two Stage
 2-1/2 (3) - 2-1/2 Bore X 2-3/8 Stroke

Parts List for Model GT, GTU

NOTE: The quantity number indicates the total number of pieces required for a complete unit repair.
When ordering parts give compressor model, serial number and part number. Order assemblies when possible.

| <u>REF. NO.</u> | <u>PART NO.</u> | <u>DESCRIPTION</u> | <u>QTY.</u> |
|-----------------|-----------------|--|-------------|
| 1 | 120-1163 | PIN,ROLLED,COILED,STL,BLK,1/4ODX1L,K25 | 1 |
| 2 | 220-1090 | FLYWHEEL,GT PUMP,CI,13-1/4,2 GROOVE,G23 | 1 |
| 3 | 150-1036 | SEAL,OIL,LIP,SINGLE,0.875 DIA,K11E | 1 |
| 4 | 220-1034 | CRANKCASE,Y PUMP,CI,MACHINED,Y1A | 1 |
| 5 | 610-1029 | PLUG,CRANKCASE,FILL,OIL,W/O-RING,K14 | 1 |
| 6 | 104-1016 | RING,O,BUNA-N,5/8"IDX13/16"ODX3/32"THK | 1 |
| 7 | 122-1037 | NIPPLE,STEEL,SCH 40,3/8" X 2" L | 1 |
| 8 | 122-1084 | CAP,FEMALE,MI,3/8"NPT | 1 |
| 9 | 160-1052 | GAUGE,SIGHT,LEVEL,OIL,1/2"NPT | 1 |
| 10 | 610-1399 | CRANKSHAFT,Y PUMP,CI,PAINTED,BLUE,Y20A | 1 |
| 11 | 150-1000 | BEARING,BALL,K9 | 1 |
| 12 | 150-1008 | BEARING,BALL,L9 | 1 |
| 13 | 104-1000-01 | GASKET,CAP,BEARING,F&K&G PUMP,1/32THK,L3 | 1 |
| 13A | 104-1000-02 | GASKET,CAP,BEARING,F&K&G PUMP,1/64THK,L4 | 1 |
| 14 | 150-1081 | COIL SPRING C/U UNLOADER ZN | 1 |
| 15 | 220-1049 | TUBE,OPERATING,CENTRIFICAL UNLOADER,EQ71 | 1 |
| 16 | 610-1167 | UNLOADER,CENTRIFUGAL,WEIGHT,SET,EQ70 | 1 |
| 17 | 610-1066 | PIN,PIVOT,UNLDR,CNTRFCL,W/CTTR PIN,EQ73 | 1 |
| 18 | 220-1076 | CAP,BEARING,D PUMP,CI,MACHINED,D2 | 1 |
| 19 | 120-1002 | SCREW,CAP,HEXHD,GR5,ST,BLK,1/4-20X5/8 (10 FT-LB) | 3 |
| 20 | 120-1171 | NUT,HEX,JAM,STEEL,PLATED,7/16-20,EQ74C | 1 |
| 21 | 220-1050 | PIN,UNLOADER,CENTRIFICAL,EQ74D | 1 |
| 22 | 150-1035 | BODY,UNLOADER,EQ74B | 1 |

Parts List for Model GT, GTU

NOTE: The quantity number indicates the total number of pieces required for a complete unit repair.
When ordering parts give compressor model, serial number and part number. Order assemblies when possible.

| <u>REF. NO.</u> | <u>PART NO.</u> | <u>DESCRIPTION</u> | <u>QTY.</u> |
|-----------------|-----------------|--|-------------|
| 23 | 610-1120 | TUBE,UNLOADER,CENTRIFUGAL,EQ PMP,CU,EQ78 | 1 |
| 24 | 120-1170 | VALVE,CORE,EQ74A | 1 |
| 25 | 610-1137 | TUBE,BREATHER,CU,BENT,MGU&GCU>U,L18 | 1 |
| 26 | 121-1025 | CONNECTOR,MALE,COMPRESSION,BR,1/4TBX1/8" | 2 |
| 27 | 120-1169 | PIN,COTTER,ST,BLACK,1\16DIA X1\2LG,EQ73B | 1 |
| 28 | 310-1010 | ROD,CONNECTING,AL,REPLACEMENT,EQ,L21W | 1 |
| 29 | 150-1034 | BEARING,NEEDLE,EQ38 | 1 |
| 30 | 150-1039 | PIN,PISTON,STEEL,EQ35 | 1 |
| 31 | 120-1165 | PIN,ROLLED,STEEL,BLACK,1/8ODX5/16L,EQ37 | 1 |
| 32 | 150-1011 | BEARING,ROD,CONNECTING,PUMP,F,K,G | 8 |
| 33 | 310-1001-02 | ROD,CONNECTING,WO/BRNG INSERT,L21L&L21K | 3 |
| 34 | 150-1005 | PIN,PISTON,STEEL,HARDENED,K35 | 3 |
| 35 | 104-1103 | BUMPER,WRIST PIN,PLASTIC,K36A | 6 |
| 36 | 610-1065 | KIT,RING,OIL,W/EXPANDER,ASSY,K34 | 4 |
| 37 | 150-1003 | RING,COMPRESSION,PISTON,STEEL,EBA 22,K33 | 8 |
| 38 | 220-1005 | PISTON,PUMP,ALUMINUM,MACHINED,K32 | 3 |
| 39 | 610-1047 | SCREW,ROD,STEEL,W/LOCK WASHER,1/4-20,L22 (10 FT - LB) | 8 |
| 40 | 120-1068 | WASHER,LOCK,SPLIT,ST,BLK,HIGH CLLR,1/4" | 8 |
| 41 | 220-1013 | PLATE,VALVE,L PUMP,CI,MACHINED,L40 | 1 |
| 42 | 220-1016 | HEAD,UNLOADING,G PUMP,CI,6HOLES,LU80 LEFT HAND HEAD | 1 |
| 43 | 121-1032 | ELBOW,MALE,COMPRESSION,BR,1/4TBX1/8"NPTM | 2 |
| 44 | 121-1108 | ELBOW,BRASS,MALE,45DEG,1/2-45SAEX1/2"NPT | 1 |

Parts List for Model GT, GTU

NOTE: The quantity number indicates the total number of pieces required for a complete unit repair.
When ordering parts give compressor model, serial number and part number. Order assemblies when possible.

| <u>REF. NO.</u> | <u>PART NO.</u> | <u>DESCRIPTION</u> | <u>QTY.</u> |
|-----------------|-----------------|---|-------------|
| 45 | 150-1020 | SPRING, VALVE, UNLOADER, INTAKE, KU83 | 4 |
| 46 | 104-1020 | RING, O, SILICON, 7/16"IDX5/8"ODX3/32"THK | 4 |
| 47 | 150-1028 | PISTON, UNLOADER, VALVE, CHECK, BRASS, KU81 | 4 |
| 48 | 104-1015 | RING, O, BUNA-N, 1/2"IDX11/16"ODX3/32"THK | 4 |
| 49 | 122-1051 | PLUG, HEX, BRASS, 11/16-16 UN-2B X .550 | 4 |
| 50 | 310-1022 | HEAD, START/STOP, GT PUMP | 1 |
| 51 | 120-1028 | SCREW, CAP, HEXHD, GR5, ST, BLK, 5/16-18X2-1/4 (22FT-LB | 10 |
| 52 | 120-1252 | BOLT, STUD, HEX, ST, 5/16-18X2-1/4X5/8, K52-1 (22FT-LB) | 2 |
| 53 | 104-1008 | GASKET, HEAD, K&G&W PUMP, 1/32THK, L51 | 1 |
| 54 | 50-1041 | RETAINER, VALVE, STEEL, PAS, 0.062"THK, K43 | 9 |
| 55 | 109-1010 | VALVE, CHECK, BUMPER, STEEL, K44 | 9 |
| 56 | 150-1018 | SPRING, CONE, SS, VALVE, DISCHARGE, K46 | 6 |
| 57 | 109-1011 | VALVE, DISC, STAINLESS STEEL, K47 | 9 |
| 58 | 220-1042 | PISTON, PUMP, AL, MACHINED, 2 STAGE, K32W | 1 |
| 59 | 150-1017 | SPRING, CONE, SS, VALVE, INTAKE, K45 | 3 |
| 60 | 104-1007 | GASKET, PLATE, VALVE, K&G&W PUMP, 1/32TK, L41 | 2 |
| 61 | 360-1150 | CYLINDER K30 BLUE EMGLO REPLACEMENT | 2 |
| 62 | 120-1017 | SCREW, CAP, HEXHD, GR5, ST, BLK, 5/16-18X3/4 (15 FT-LB) | 12 |
| 63 | 104-1006 | GASKET, CYLINDER, K&G&W PUMP, 1/32THK, K31 | 2 |
| 64 | 310-1022 | HEAD, START/STOP, GT PUMP | 1 |
| 65 | 150-1104 | ELEMENT, FILTER, AIR, G54E | 2 |
| 66 | 141-1018 | VALVE, SAFETY, ASME, 1/4", 65 PSI | 1 |
| 67 | 121-1039 | TEE, BRANCH, BRASS, 1/4"TBX1/4"TBX1/8"NPTM | 1 |

Parts List for Model GT, GTU

NOTE: The quantity number indicates the total number of pieces required for a complete unit repair.
When ordering parts give compressor model, serial number and part number. Order assemblies when possible.

| <u>REF. NO.</u> | <u>PART NO.</u> | <u>DESCRIPTION</u> | <u>QTY.</u> |
|-------------------|-----------------|--|-------------|
| 68 | 610-1121 | TUBING,UNLOADER,HEAD-HEAD,MGU PUMP,LU88 | 1 |
| 69 | 104-1013 | GASKET,HEAD,K&G&W PUMP,1/32THK,EQ51 RIGHT HAND HEAD | 1 |
| 70 | 220-1043 | HEAD,UNLOADING,EQ PUMP,CI,6HOLES,EQ80 RIGHT HAND HEAD | 1 |
| 71 | 121-1013 | ELBOW,MALE,BRASS,1/2-45SAEX1/2"NPTM | 3 |
| 72 | 220-1041 | PLATE,VALVE,W PUMP,CI,MACHINED,W40 | 1 |
| 73 | 150-1042 | WASHER,BRASS,1/32X 0.605ODX1/4 ID,KU84 | 4 |
| Assemblies | | | |
| 74 | 610-1015 | UNLOADER,CENTRIFICAL,PUMP,ASSY,EQ170 W / GASKET, INCLUDES 13, 13A, 14, 15, 16, 17, 27 | 1 |
| 75 | 310-1016 | VALVE,UNLOADER,CENTRIFICAL,ASSY,EQ174 INCLUDES 20, 21, 22, 24 | 1 |
| 76 | 610-1060 | UNLOADER,CENTRIFICAL,W/B CAP,ASSY,Y175 INCLUDES 18, 19(3), 74, 75 | 1 |
| 77 | 310-1044 | ROD,CONNECTING,W/INSRT,HI PSI,L21L&L21K INCLUDES 28, 32(2), 39(2), 40(2) | 1 |
| 78 | 310-1043 | ROD,CONNECTING,W/BEARNG INSERT,L21L&L21K INCLUDES 32(2), 33, 39, 40 | 3 |
| 79 | 610-1020 | KIT,PUMP,RING,PISTON,F&K&G&W PUMP,K133 INCLUDES 36, 37(2) | 4 |
| 80 | 610-1028 | PISTON,W/RINGS&PIN,ASSY,K132 (LP) INCLUDES 34, 35(2), 36, 37(2) | 3 |
| 81 | 610-1042 | VALVE,UNLOADER,HEAD,PUMP,ASSY,KU181 INCLUDES 45, 46, 47, 48, 73 | 4 |
| 82 | 610-1031 | VALVE,SUCTION,ASSY,K145 INCLUDES 54, 55, 57, 59 | 3 |
| 83 | 610-1032 | VALVE,DISCHARGE,ASSY,K146 INCLUDES 54, 55, 56, 57 | 6 |

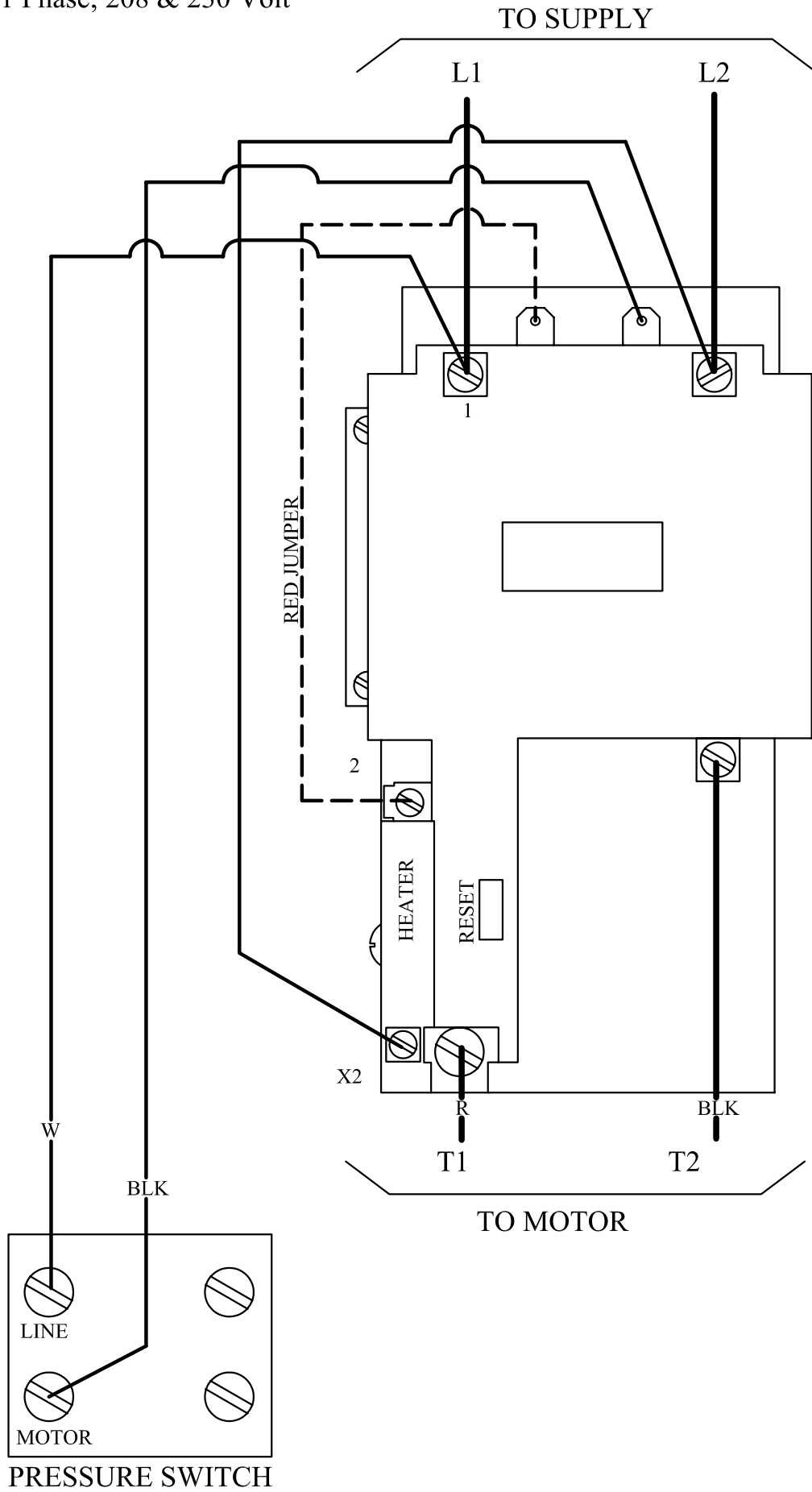
Parts List for Model GT, GTU

NOTE: The quantity number indicates the total number of pieces required for a complete unit repair.
When ordering parts give compressor model, serial number and part number. Order assemblies when possible.

| <u>REF. NO.</u> | <u>PART NO.</u> | <u>DESCRIPTION</u> | <u>QTY.</u> |
|------------------------|------------------------|--|--------------------|
| 84 | 320-1121 | FILTER,W/DECALS,ASSY,G154S | 2 |
| 85 | 610-1057 | INTERCOOLER,FINNED,W/FLARE NUTS,ASY,EQ65 | 1 |
| 86 | 610-1056 | INTERCOOLER,FINNED,W/FLARE NUTS,ASY,EQ62 | 1 |
| NOT SHOWN | 105-1209 | OIL,PUMP,SYNTHETIC,BLUE,1 QUART,ESQ | 1 |
| NOT SHOWN | 610-1226 | KIT,FILTER,ASSY,G154,PKG OF 4,G154P | 1 |
| NOT SHOWN | 610-1186 | KIT,ELEMENT,FILTER,L54E,PKG OF 4,L54EP | 1 |
| NOT SHOWN | 150-1010 | ELEMENT,FILTER,AIR,COMPRESSOR,JENNY,L54E | 1 |

MAGNETIC STARTER WIRING DIAGRAM

1 Phase; 208 & 230 Volt



MAGNETIC STARTER WIRING DIAGRAM

3 Phase; 208, 230, & 460 VOLT

