

# **Model No. GTB48A**

## **48 Inch Mower**

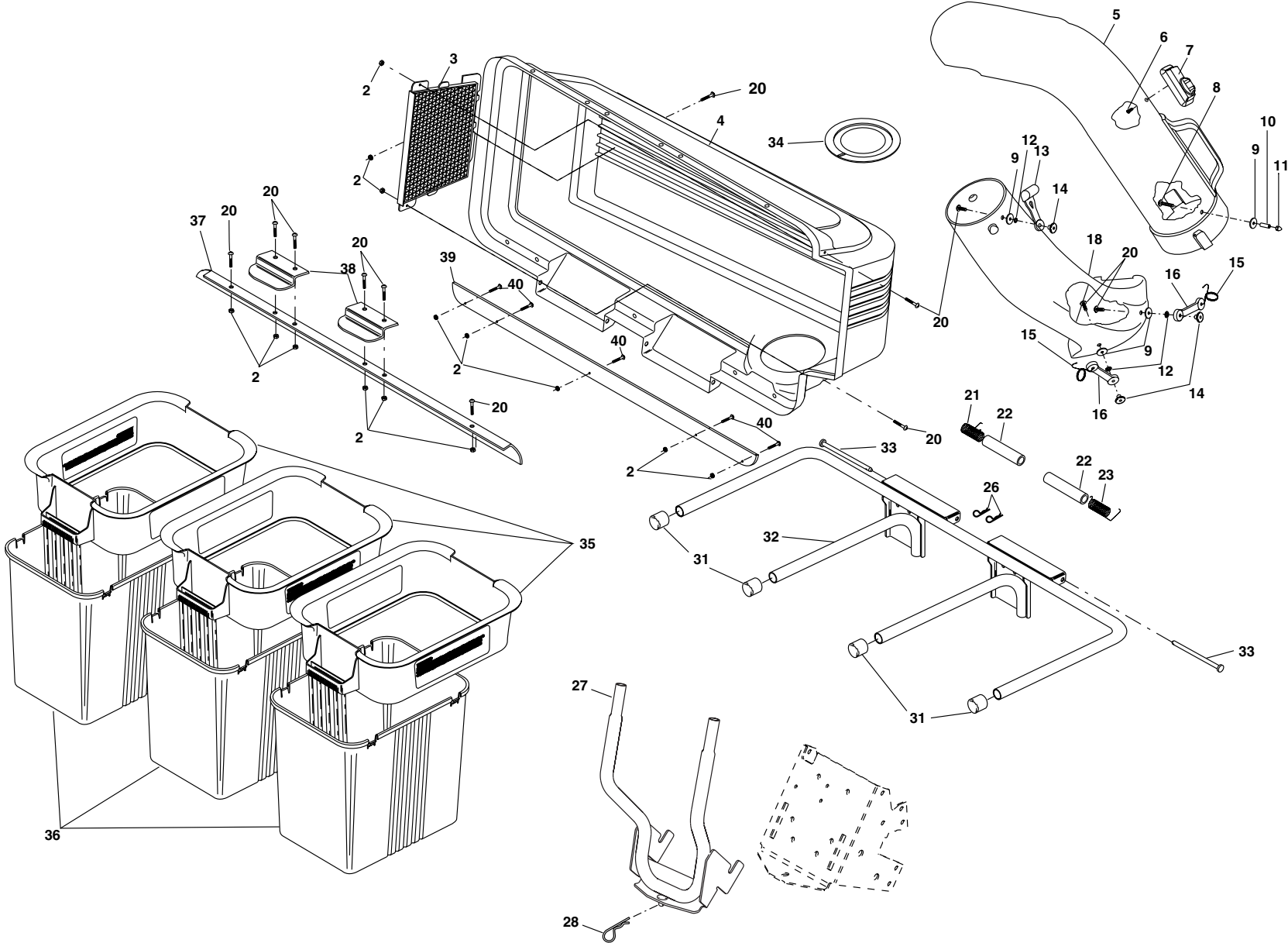
### **Grass Catcher**

- **Repair Parts**
-

# REPAIR PARTS/PIÈCES DE RECHANGE

GRASS CATCHER - MODEL NUMBER GTB48A / RAMASSE-HERBE - NO. DE MODÈLE GTB48A

10



# REPAIR PARTS/PIÈCES DE RECHANGE

GRASS CATCHER - MODEL NUMBER GTB48A / RAMASSE-HERBE - NO. DE MODÈLE GTB48A

KEY NO.	PART NO.	DESCRIPTION	KEY NO.	PART NO.	DESCRIPTION
2	532069180	Nut, Crownlock #10-24	21	532132796	Spring, Cover L.H. (black)
3	532127533	Screen, Cover	22	532140809	Spacer, Cover
4	532134678	Cover	23	532132983	Spring, Cover R.H. (gray)
5	532176741	Chute, Upper	26	532124670	Spring, Retainer
6	818021008	Screw, Special #10-14x1/2	27	532176987	Support Assembly
7	532140572	Dump bag Indicator	28	532165898	Spring, Retainer
8	532087175	Screw, #10-24 x 1-1/8	31	532174083	Plug, Tubing End
9	819061216	Washer 3/16x3/4x16 Ga.			Capuchon d'extrémité de tuyau
10	532007206	Spacer, Split	32	532176990	Bagger, Frame
11	532060867	Nut, Acorn #10-24	33	532128600	Pin, Hinge
12	810071000	Washer, lock	34	532127534	Gasket, Cover
13	532109808	Latch, Chute	35	532129585	Container, Top
14	532125004	Nut, Weld	36	532129586	Container, Bottom
15	532130760	Latch, Hook	37	532134637	Seal, Cover
16	532130759	Rubber, Latch	38	532130895	Latch Handle, Cover
18	532174345	Chute, Lower	39	532155857	Strip, Reinforcement
20	871161010	Screw #10-24 x 5/8	40	871141008	Screw #10-24 x 1/2
			—	532178403	Owner's Manual