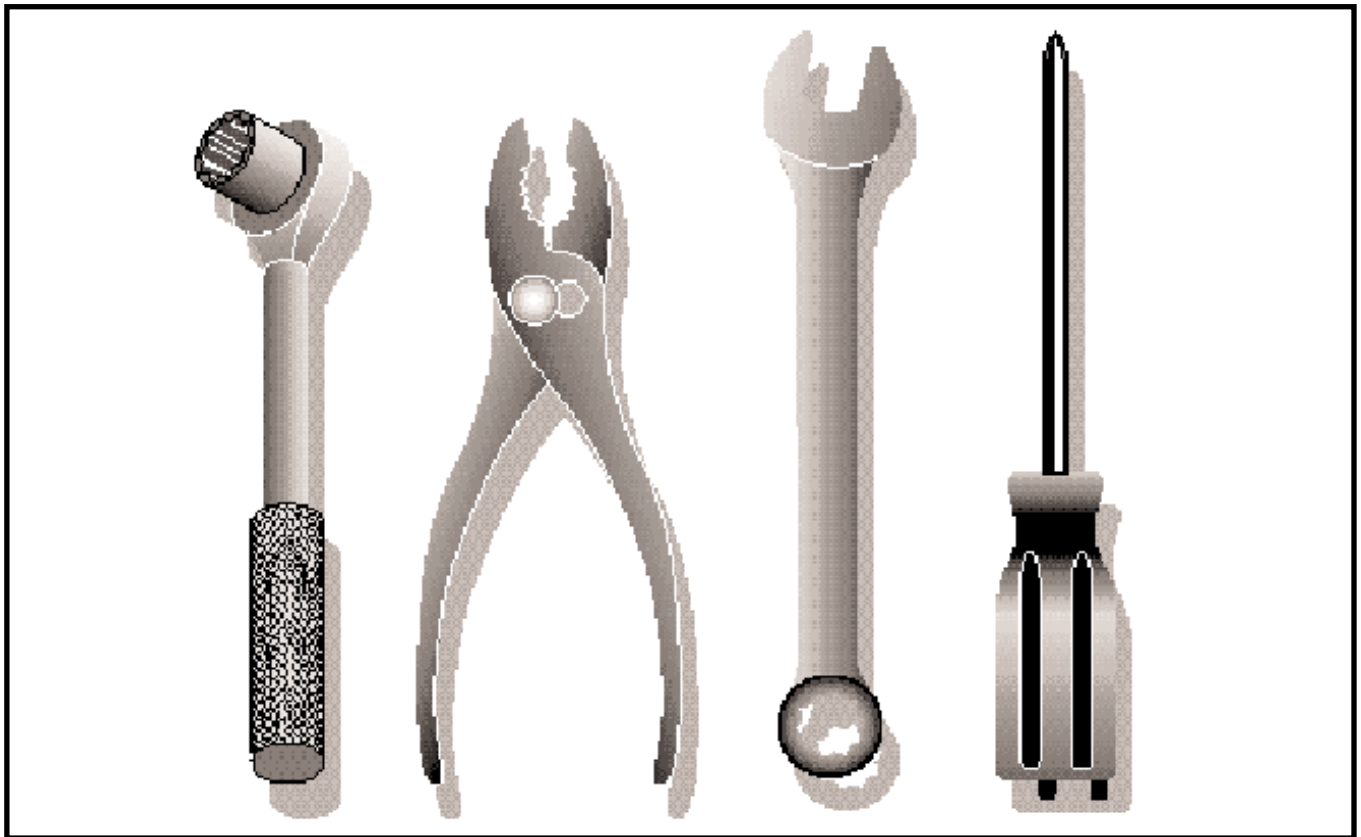


Ride Mower

GTH26K54T

96043001100

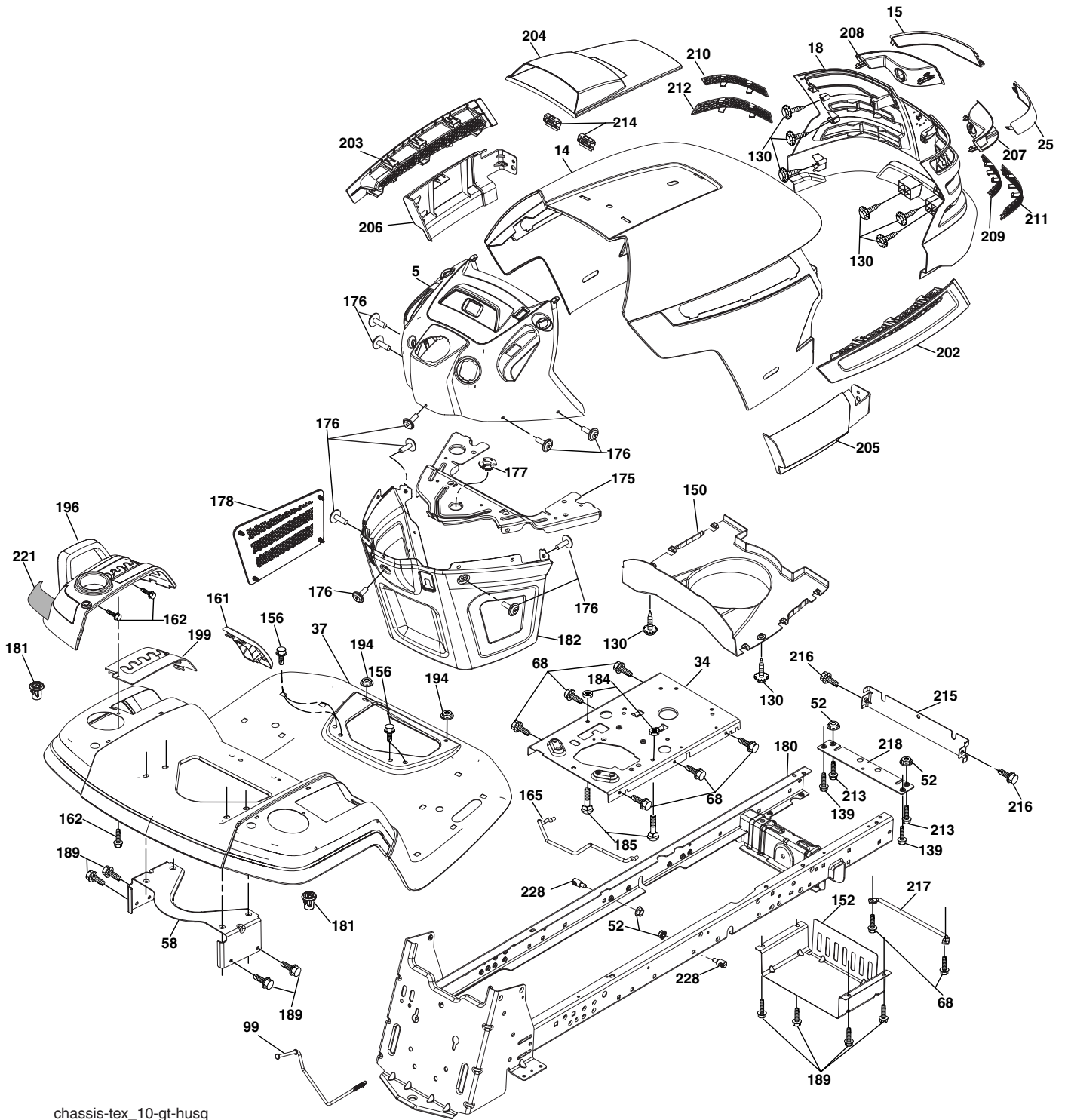


**TRACTOR - MODEL NO. GTH26K54T (96043001100), PRODUCT NO. 960 43 00-11
ELECTRICAL**

| KEY NO. | PART NO. | DESCRIPTION |
|--------------------|---------------------|----------------------------------|
| 1 | 532 14 49-27 | Battery |
| 2 | 874 76 04-12 | Bolt Hex Hd 1/4-20 unc x 3/4 |
| 8 | 532 18 64-91 | Battery Box |
| 16 | 532 17 61-38 | Switch Interlock |
| 21 | 532 18 37-59 | Harness Socket Light |
| 22 | 532 00 41-52 | Bulb, Light # 1156 |
| 24 | 532 40 02-53 | Cable Battery |
| 25 | 532 19 88-93 | Cable Starter |
| 26 | 532 17 51-58 | Fuse |
| 27 | 873 51 04-00 | Nut Keps Hex 1/4-20 unc |
| 28 | 532 14 54-91 | Cable Ground 21" Blk 6 Ga. |
| 29 | 532 40 15-45 | Switch Seat |
| 30 | 532 19 33-50 | Switch Ignition |
| 33 | 532 14 04-01 | Key Ignition Molded Generic |
| 34 | 532 11 07-12 | Switch Light/Reset |
| 40 | 532 40 11-05 | Harness Ignition |
| 41 | 871 72 04-08 | Screw Thd Cut 1/4-20 x 1/2 |
| 42 | 532 13 15-63 | Cover Terminal Red |
| 43 | 532 19 25-07 | Solenoid |
| 46 | 532 19 81-38 | Gauge Hourmeter |
| 50 | 532 17 46-51 | Switch PTO |
| 55 | 817 49 05-12 | Screw Thdrol 5/16-18 x 3/4 |
| 59 | 532 40 03-03 | Outlet 12-Volt |
| 71 | 532 19 42-76 | Harness Ign. Dash |
| 90 | 532 18 04-49 | Cover Terminal Battery |
| 91 | 532 19 02-70 | Strap Battery |
| 99 | 817 67 04-12 | Screw Hexwsh Thdrol 1/4-20 x 3/4 |
| 100 | 819 09 14-16 | Washer 9/32 x 7/8 x 16 Ga. |

NOTE: All component dimensions given in U.S. inches
1 inch = 25.4 mm

TRACTOR - MODEL NO. GTH26K54T (96043001100), PRODUCT NO. 960 43 00-11
CHASSIS



chassis-tex_10-gt-husq

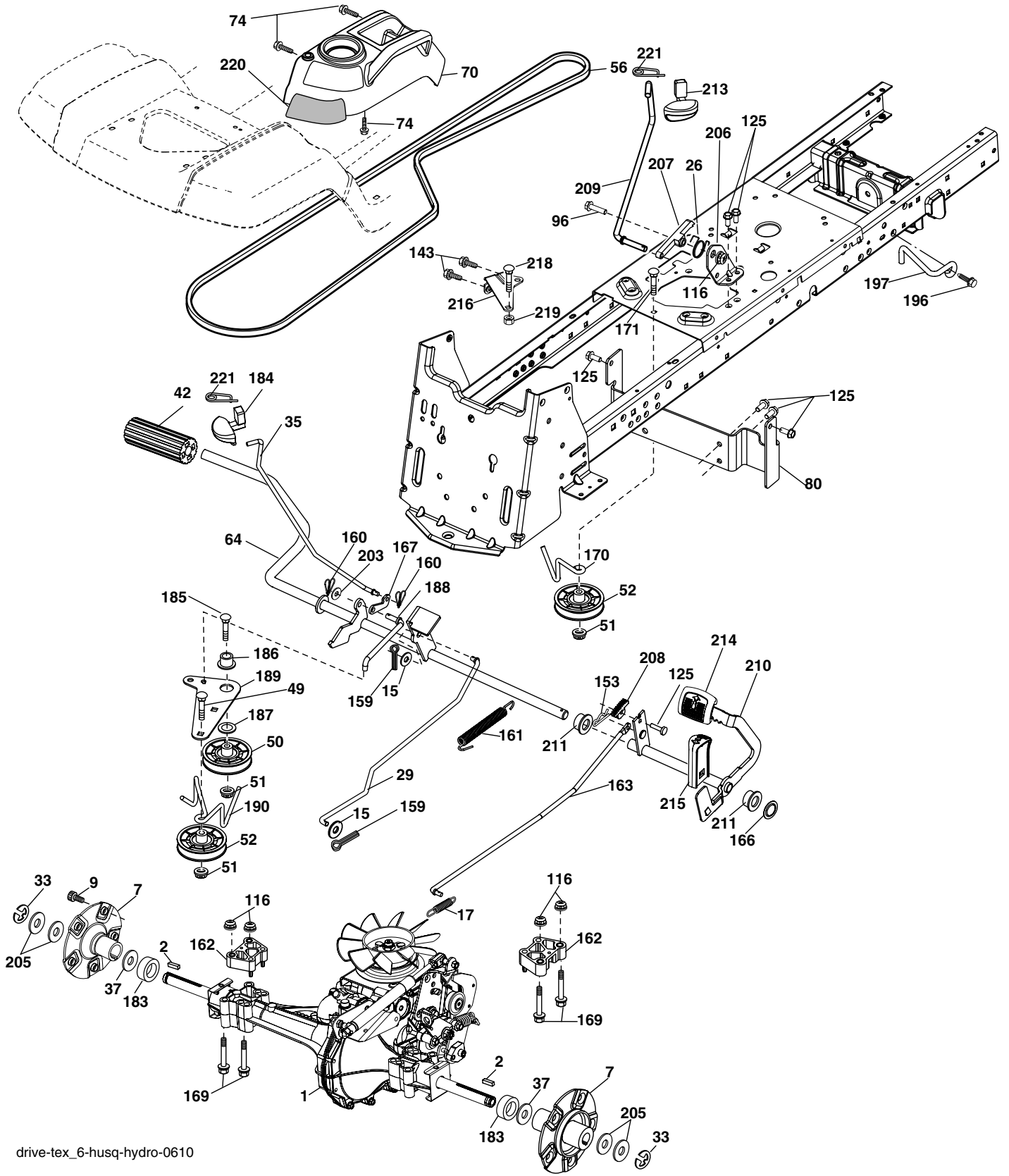
TRACTOR - MODEL NO. GTH26K54T (96043001100), PRODUCT NO. 960 43 00-11 CHASSIS

| KEY NO. | PART NO. | DESCRIPTION |
|---------|--------------|--------------------------------|
| 5 | 532 40 18-23 | Dash |
| 14 | 532 40 18-24 | Hood |
| 15 | 532 19 89-07 | Lens LH |
| 18 | 532 40 02-97 | Grille |
| 25 | 532 19 89-06 | Lens RH |
| 34 | 532 19 61-25 | Plate Engine |
| 37 | 532 40 18-25 | Fender |
| 52 | 873 68 05-00 | Nut Crown Lock 5/16-18 |
| 58 | 532 19 43-14 | Bracket Fender |
| 68 | 817 49 05-08 | Screw 5/16-18 x 1/2 |
| 99 | 532 19 82-53 | Rod Bypass Asm. |
| 130 | 532 19 16-11 | Screw 10 x 3/4 Single Lead Hex |
| 139 | 532 17 18-73 | Bolt Shoulder 5/16-18 |
| 150 | 532 19 85-12 | Duct Heat Hood |
| 152 | 532 19 63-90 | Shield Browning/Debris |
| 156 | 817 00 05-12 | Screw 5/16-18 x 3/4 |
| 161 | 532 40 18-26 | Console Fuel Window |
| 162 | 532 14 24-32 | Screw Hex Wsh Hi-Lo 1/4 x 1/2 |
| 165 | 532 19 68-26 | Bracket Support Tank |
| 175 | 532 19 63-04 | Crossmember |
| 176 | 532 40 07-76 | Screw 10-24 x 5/8 RND Qdrx |
| 177 | 532 19 52-27 | Bushing Steering |
| 178 | 532 19 97-82 | Cargo Asm. Net |
| 180 | 532 40 15-59 | Chassis |
| 181 | 532 40 30-25 | Bushing Mtg. Fender Crgo. |
| 182 | 532 19 47-87 | Dash Lower |

| KEY NO. | PART NO. | DESCRIPTION |
|---------|--------------|----------------------------------|
| 184 | 532 19 57-80 | Spacer Fender |
| 185 | 872 11 05-10 | Bolt Carr. 5/16-18 x 1-1/4 Gr. 5 |
| 189 | 817 00 05-12 | Screw 5/16-18 x 3/4 |
| 194 | 873 90 05-00 | Nut Lock Hex Flange 5/16-18 |
| 196 | 532 40 02-99 | Console Asm. Deck Lift |
| 199 | 532 19 82-59 | Plate Deck Lift |
| 202 | 532 40 30-48 | Vent Side Hood RH |
| 203 | 532 40 30-76 | Vent Side Hood LH |
| 204 | 532 19 89-04 | Vent Asm Hood Top |
| 205 | 532 40 17-09 | Skirt Hood Side RH |
| 206 | 532 40 17-11 | Skirt Hood Side LH |
| 207 | 532 19 71-98 | Bezel RH |
| 208 | 532 19 71-99 | Bezel LH |
| 209 | 532 19 91-30 | Insert Hex Top RH |
| 210 | 532 19 91-31 | Insert Hex Top LH |
| 211 | 532 19 91-32 | Insert Hex Bottom RH |
| 212 | 532 19 91-33 | Insert Hex Bottom LH |
| 213 | 874 76 05-12 | Bolt Hex Hd 5/16-18 unc x 3/4 |
| 214 | 532 19 91-45 | Clip Retainer |
| 215 | 532 19 80-43 | Cover Chassis Front |
| 216 | 817 67 05-08 | Screw 5/16-18 x 1/2 |
| 217 | 532 15 65-24 | Rod Pivot |
| 218 | 532 19 63-95 | Hood Stop |
| 221 | 532 19 89-09 | Reflector LH |
| 228 | 532 19 51-61 | Stud Fastener |

NOTE: All component dimensions given in U.S. inches
1 inch = 25.4 mm

**TRACTOR - MODEL NO. GTH26K54T (96043001100), PRODUCT NO. 960 43 00-11
DRIVE**



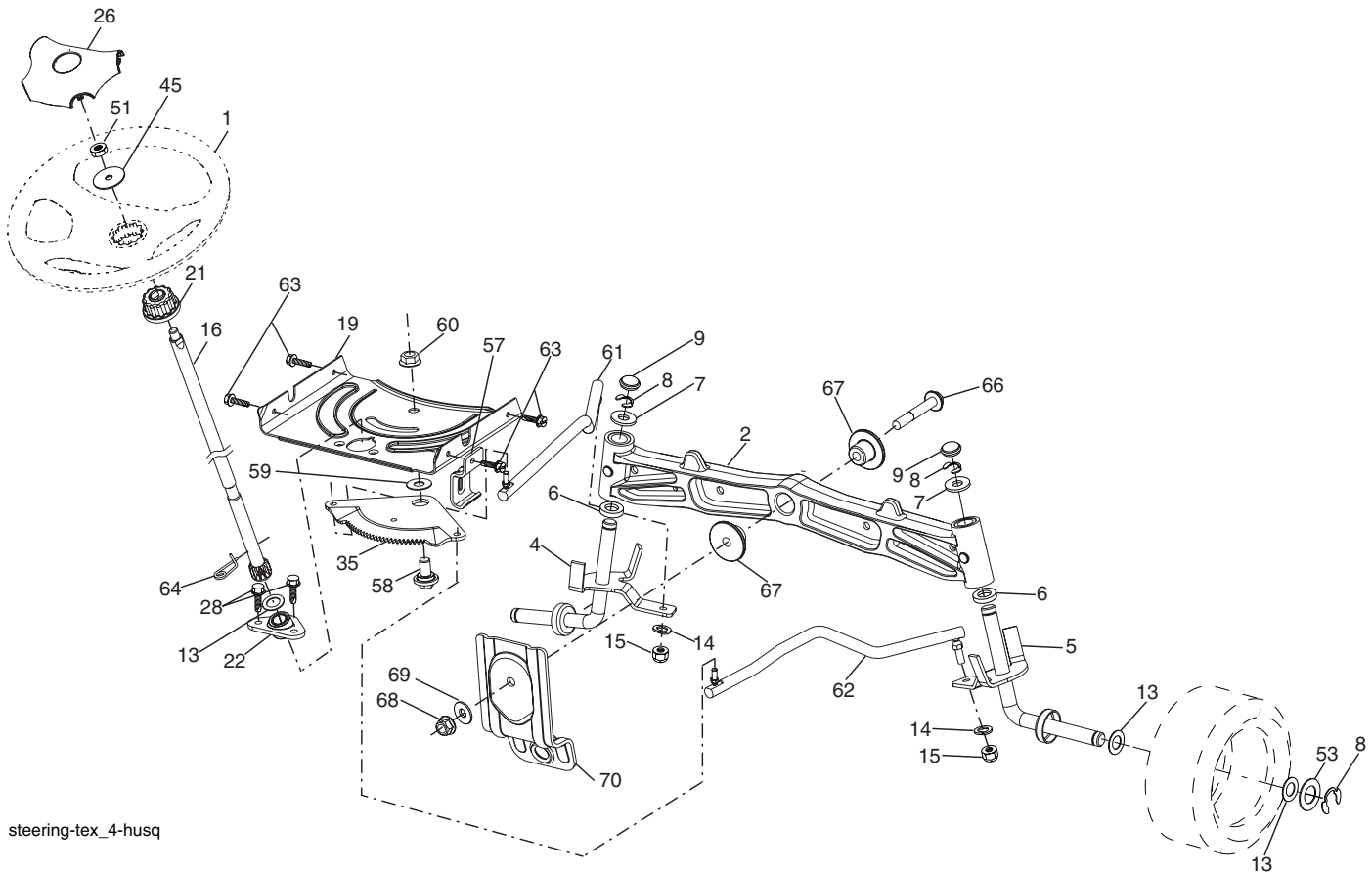
drive-tex_6-husq-hydro-0610

TRACTOR - MODEL NO. GTH26K54T (96043001100), PRODUCT NO. 960 43 00-11 DRIVE

| KEY NO. | PART NO. | DESCRIPTION | KEY NO. | PART NO. | DESCRIPTION |
|---------|--------------|---|---------|--------------|----------------------------------|
| 1 | ----- | Transaxle, Hydro HG-0610 (Order Parts from Transaxle Manufacturer) | 166 | 532 19 72-90 | Nut Push .625 |
| 2 | 532 18 62-11 | Key 1/4 x 2.5 | 167 | 532 19 62-11 | Latch Brake Parking |
| 7 | 532 19 98-44 | Hub Asm. Wheel | 169 | 874 49 05-60 | Bolt Hex Flghd 5/16-18 x 3.75 |
| 9 | 532 14 00-80 | Bolt Hub Wheel | 170 | 532 19 43-22 | Keeper Belt Centerspan |
| 15 | 819 13 13-16 | Washer 13/32 x 13/16 x 16 Ga. | 171 | 872 11 06-16 | Bolt |
| 17 | 532 19 72-96 | Spring, Brake | 183 | 532 40 04-24 | Spacer Split |
| 26 | 532 19 96-79 | Spring Return Cruise | 184 | 532 40 31-18 | Handle Parking Brake |
| 29 | 532 19 94-67 | Rod, Brake | 185 | 872 11 06-20 | Bolt Rdhd Sqnk 3/8-16 x 2-1/2 |
| 33 | 812 00 00-11 | Ring E | 186 | 532 19 43-21 | Spacer Retainer |
| 35 | 532 19 95-91 | Rod, Brake, Park | 187 | 819 13 32-10 | Washer |
| 37 | 532 12 17-49 | Washer | 188 | 532 19 43-23 | Link Clutch Ground Drive |
| 42 | 532 12 48-72 | Cover, Foot Pedal | 189 | 532 19 43-17 | Bellcrank Ground Drive |
| 49 | 872 11 06-14 | Bolt | 190 | 532 19 43-18 | Keeper Bellcrank Ground Drive |
| 50 | 532 19 43-27 | Pulley Idler Flat | 196 | 817 00 06-16 | Screw 3/8-16 x 1 |
| 51 | 873 90 06-00 | Lock Nut 3/8-16 | 197 | 532 19 97-69 | Bracket Clutch Anti-Rotation |
| 52 | 532 19 43-26 | Idler V-Groove 910" Offset | 203 | 819 11 11-16 | Washer 11/32 x 11/16 x 16 Ga. |
| 56 | 532 14 02-18 | V-Belt, Drive | 205 | 532 12 17-48 | Washer |
| 64 | 532 19 78-65 | Shaft Asm. Pedal Brake Control | 206 | 532 19 78-67 | Bracket Mount Latch Cruise |
| 70 | 532 40 05-30 | Control Asm. | 207 | 532 19 78-68 | Latch Control Cruise |
| 74 | 532 14 24-32 | Screw 1/4 x 1/2 | 208 | 532 19 78-69 | Gear Sector Control Cruise |
| 80 | 532 40 05-07 | Bracket Strap Torque | 209 | 532 19 95-92 | Rod Control Cruise |
| 96 | 874 76 05-20 | Bolt Fin Hex 5/16-18 unc x 1.25 | 210 | 532 19 78-60 | Rocker Asm. Pedal Control |
| 116 | 873 90 05-00 | Nut Lock Hex Flange 5/16-18 | 211 | 532 12 01-83 | Bearing Nylon |
| 125 | 817 00 05-12 | Screw 5/16-18 x 3/4 | 213 | 532 40 31-19 | Knob Control Cruise |
| 148 | 817 00 06-12 | Screw 3/8-16 x 3/4 | 214 | 532 40 17-22 | Pedal Forward |
| 153 | 532 12 47-88 | Retainer Spring 1" | 215 | 532 40 17-23 | Pedal Reverse |
| 159 | 876 02 04-12 | Pin Cotter 1/8 x 3/4 | 216 | 532 19 61-31 | Bracket Pulley Idler |
| 160 | 532 16 94-84 | Retainer Clip | 218 | 874 78 05-20 | Bolt Fin Hex 5/16-18 unc x 1-1/4 |
| 161 | 532 19 54-03 | Spring, Return, Clutch | 219 | 532 19 57-80 | Spacer Fender |
| 162 | 532 19 57-85 | Spacer Transaxle | 220 | 532 19 89-08 | Reflector RH |
| 163 | 532 19 90-00 | Rod Pedal Control | 221 | 532 40 31-87 | Retainer Spring Clip Handler |

NOTE: All component dimensions given in U.S. inches
1 inch = 25.4 mm

**TRACTOR - MODEL NO. GTH26K54T (96043001100), PRODUCT NO. 960 43 00-11
STEERING ASSEMBLY**



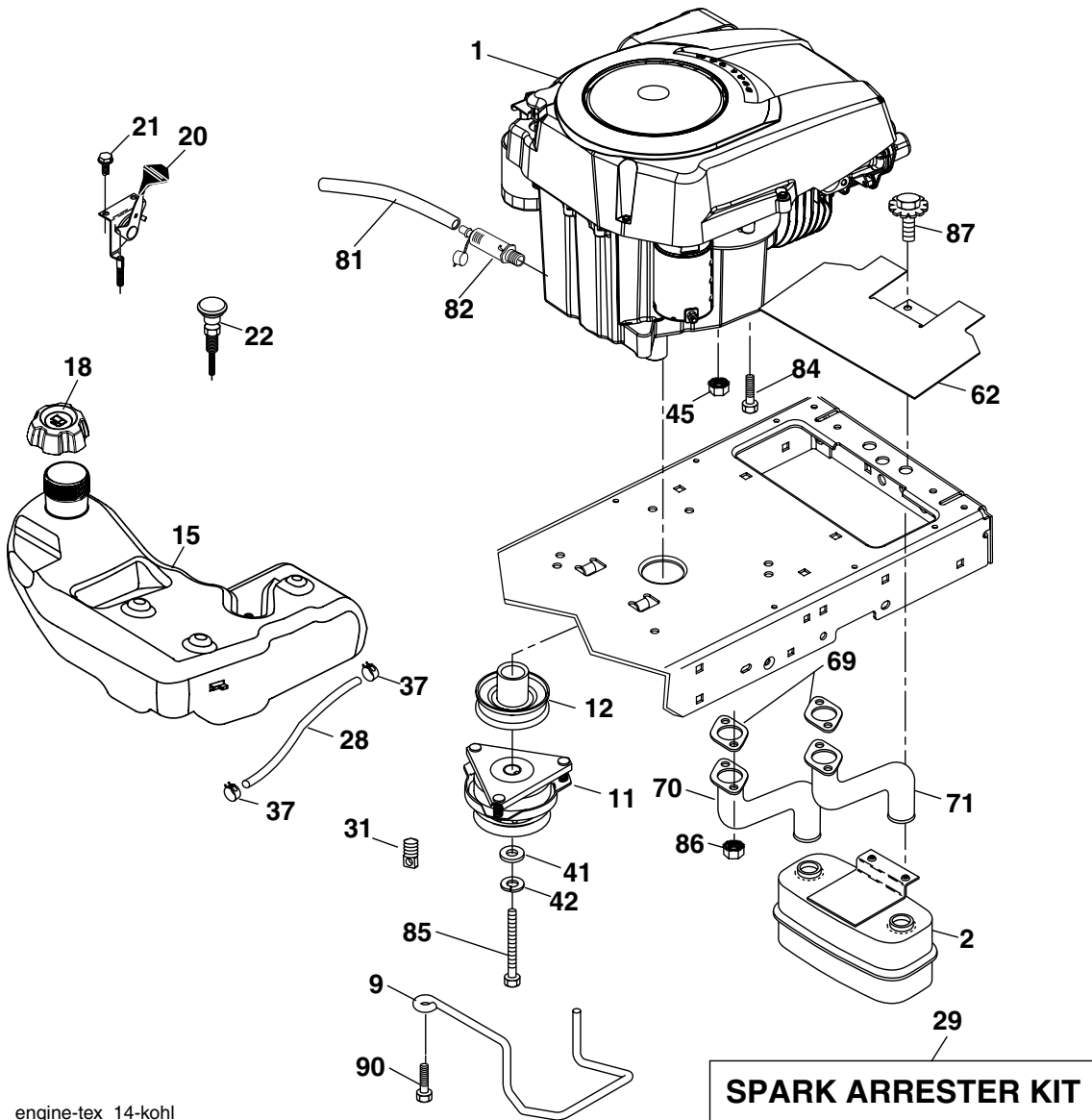
steering-tex_4-husq

| KEY NO. | PART NO. | DESCRIPTION |
|---------|--------------|-------------------------------|
| 1 | 532 19 39-43 | Wheel, Steering |
| 2 | 532 19 59-68 | Axle Asm., Front |
| 4 | 532 19 79-37 | Spindle Asm., LH |
| 5 | 532 19 79-36 | Spindle Asm., RH |
| 6 | 532 12 49-31 | Bearing, Race Thrust Harden |
| 7 | 532 12 17-48 | Washer 25/32 x 1-5/8 x 16 Ga. |
| 8 | 812 00 00-29 | Ring, Klip #T5304-75 |
| 9 | 532 12 12-32 | Cap, Spindle |
| 13 | 532 12 17-49 | Washer 25/32 x 1-1/4 x 16 Ga. |
| 14 | 810 04 06-00 | Washer, Lock Hvy Hlcl Spr 3/8 |
| 15 | 873 54 06-00 | Nut, Crown Lock 3/8-24 unf |
| 16 | 532 19 47-46 | Shaft Steering |
| 19 | 532 19 47-29 | Plate Steering |
| 21 | 532 18 67-37 | Adapter, Wheel Steering |
| 22 | 532 19 48-45 | Bushing, Strg. Blk |
| 26 | 532 19 36-52 | Insert, Wheel Steering |
| 28 | 817 00 06-12 | Screw 3/8-16 x 3/4 |
| 35 | 532 19 47-32 | Gear, Sector Plate |
| 45 | 819 18 38-12 | Washer 9/16 x 2-3/8 x 12 Ga. |

| KEY NO. | PART NO. | DESCRIPTION |
|---------|--------------|-------------------------------------|
| 51 | 873 94 08-00 | Nut Hex Jam Toplock 1/2-20 unf |
| 53 | 532 18 89-67 | Washer Hardened .793 x 1.637 x .060 |
| 57 | 532 19 72-46 | Bracket Upstop |
| 58 | 532 19 47-47 | Bolt Shoulder Sector Pivot CFM |
| 59 | 532 19 47-48 | Washer Thrust Sector Steering |
| 60 | 873 97 10-00 | Nut Flange Lock 5/8-11 |
| 61 | 532 19 47-40 | Draglink LH |
| 62 | 532 19 47-41 | Draglink, RH |
| 63 | 817 00 05-12 | Screw 5/16-18 x 3/4 |
| 64 | 532 19 98-49 | Retainer Clip Spring Steering |
| 66 | 871 02 07-48 | Bolt Hex Fghd 7/16-14 x 3 Serr |
| 67 | 532 19 47-37 | Bushing PM Front Axle |
| 68 | 873 90 07-00 | Nut Lock Flange 7/16-14 Gr. 5 |
| 69 | 532 19 91-62 | Washer 1.5 x .505 x .118 |
| 70 | 532 19 61-97 | Bracket Deck Susp. Front |

NOTE: All component dimensions given in U.S. inches
1 inch = 25.4 mm

TRACTOR - MODEL NO. GTH26K54T (96043001100), PRODUCT NO. 960 43 00-11 ENGINE



engine-tex_14-kohl

SPARK ARRESTER KIT

| KEY NO. | PART NO. | DESCRIPTION |
|---------|--------------|---|
| 1 | ----- | Engine KOHL Model No. SV735 |
| 2 | 532 14 97-23 | Muffler |
| 9 | 532 19 43-19 | Keeper Belt Engine |
| 11 | 532 17 93-35 | Clutch Electric |
| 12 | 532 40 24-63 | Pulley Engine |
| 15 | 532 19 34-99 | Tank Fuel 4.0 |
| 18 | 532 19 42-67 | Cap Asm |
| 20 | 532 18 29-37 | Control Throttle |
| 21 | 532 19 16-11 | Screw 10 x 3/4 Single Lead Hex |
| 22 | 532 19 15-96 | Control Choke |
| 28 | 532 40 11-35 | Fuel Line |
| 29 | 532 13 71-80 | Spark Arrester Kit |
| 31 | 532 14 50-06 | Clip Push-In |
| 37 | 532 12 34-87 | Clamp Hose |
| 41 | 532 12 61-97 | Washer 1-1/2 OD x 15/32 ID x .250 |
| 42 | 810 04 07-00 | Washer Lock 7/16 |
| 45 | 873 51 04-00 | Nut Keps Hex 1/4-20 unc |
| 62 | 532 14 66-29 | Shield Heat Muffler |
| 69 | ----- | Gasket (Order parts from engine manufacturer) |

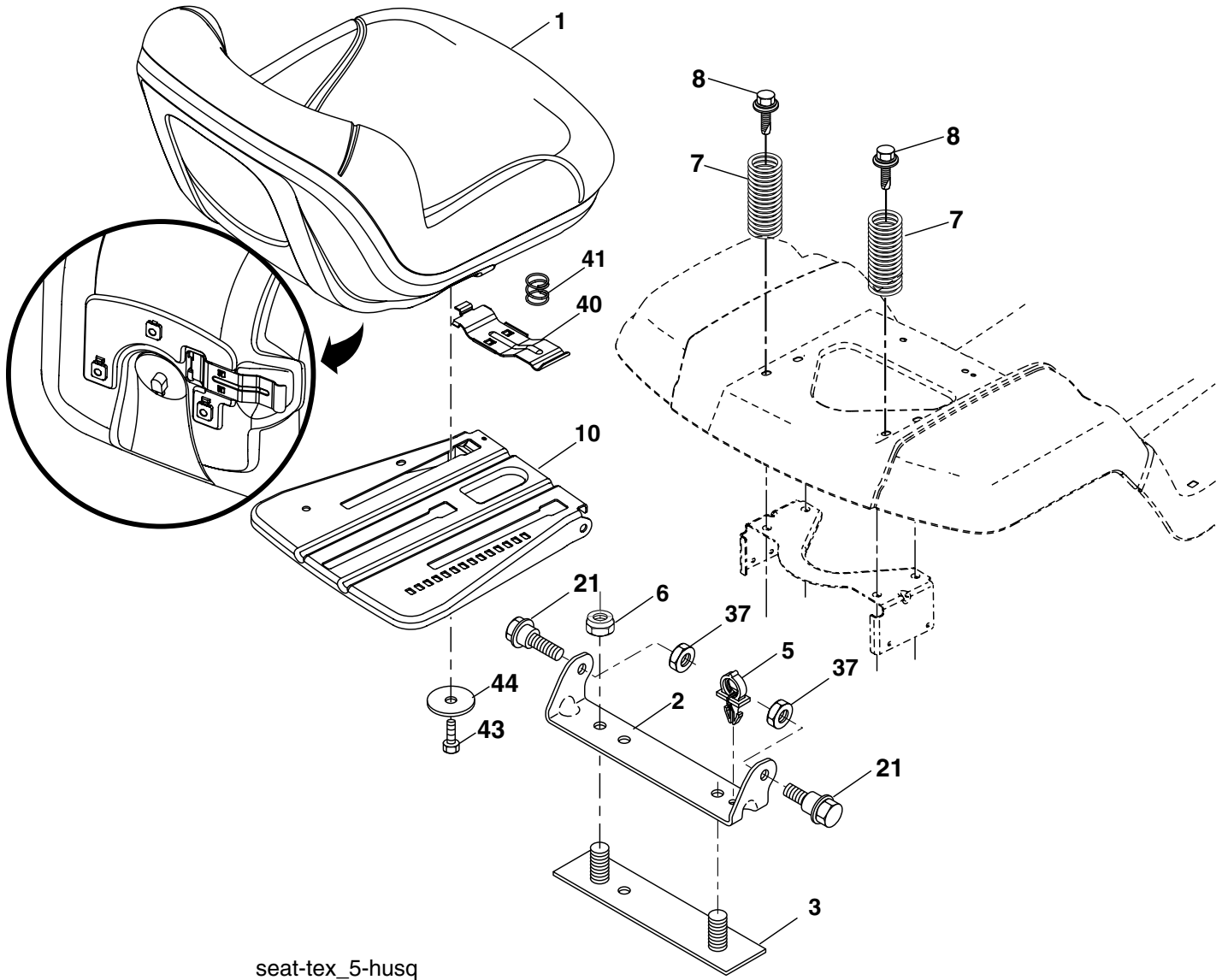
| KEY NO. | PART NO. | DESCRIPTION |
|---------|--------------|--------------------------------|
| 70 | 532 14 66-99 | Tube Exhaust LH |
| 71 | 532 14 67-00 | Tube Exhaust RH |
| 81 | 532 14 84-56 | Tube Drain Oil Easy |
| 82 | 532 18 16-54 | Plug Drain Oil |
| 84 | 817 06 06-20 | Screw 3/8-16 x 1 1/4 |
| 85 | 532 17 99-53 | Bolt Hex 7/16-20 x 3.75 Gr. 5 |
| 86 | 532 18 43-62 | Nut Hex Flange Toplock M8-1.25 |
| 87 | 532 19 82-39 | Bolt 5/16-18 unc x 1 w/Sems |
| 90 | 817 00 06-16 | Screw 3/8-16 x 1 |
| 91 | 532 18 74-95 | Bushing |

NOTE: All component dimensions given in U.S. inches
1 inch = 25.4 mm

For engine service and replacement parts, call the toll free number for your engine manufacturer listed below:

| | |
|-------------------|----------------|
| Briggs & Stratton | 1-800-233-3723 |
| Kohler Co. | 1-800-544-2444 |
| Tecumseh Products | 1-800-558-5402 |
| Honda Engines | 1-800-426-7701 |
| Kawasaki | 1-949-460-5688 |

**TRACTOR - MODEL NO. GTH26K54T (96043001100), PRODUCT NO. 960 43 00-11
SEAT ASSEMBLY**



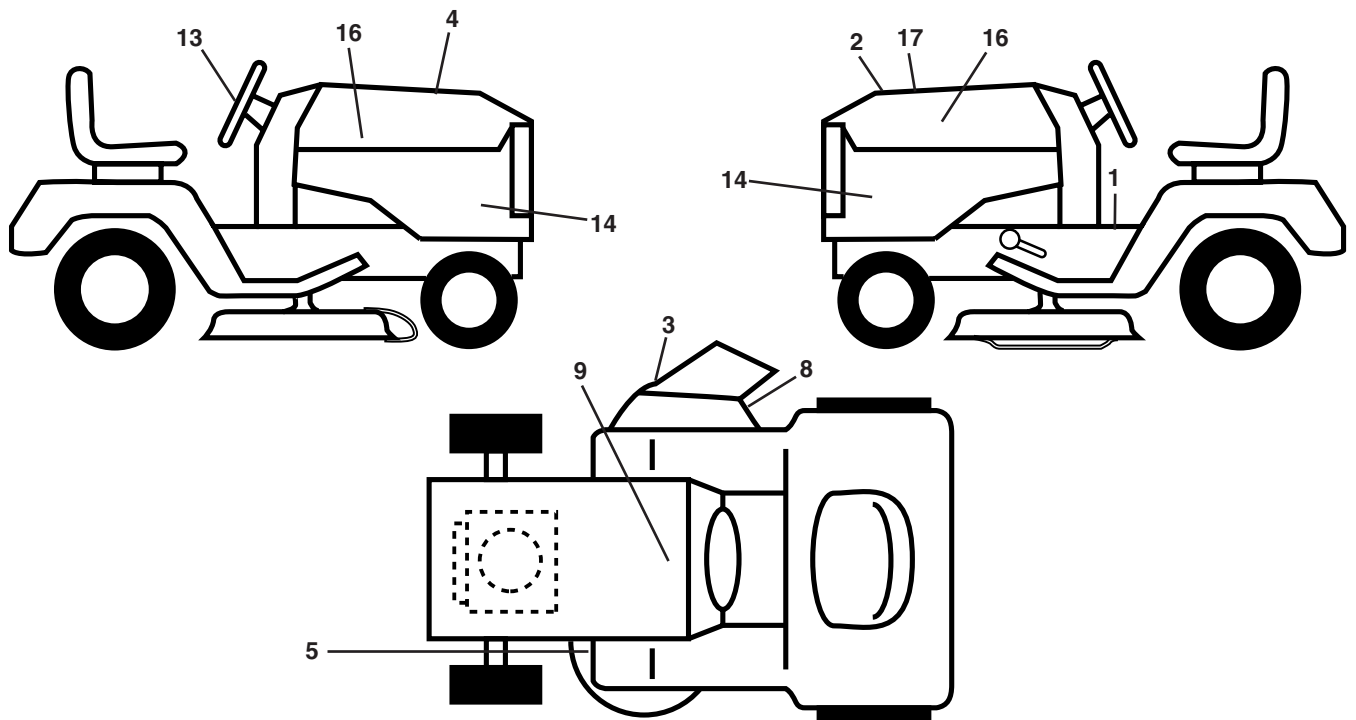
seat-tex_5-husq

| KEY NO. | PART NO. | DESCRIPTION |
|---------|--------------|------------------------------|
| 1 | 532 19 75-26 | Seat |
| 2 | 532 18 01-66 | Bracket Pivot Fender |
| 3 | 532 14 06-75 | Strap, Asm Fender |
| 5 | 532 14 50-06 | Clip, Push In, Hinged |
| 6 | 873 80 06-00 | Nut, Lock W/Ins. 3/8-16 unc |
| 7 | 532 12 41-81 | Spring, Seat Cprsn |
| 8 | 532 17 18-77 | Bolt 5/16-18 uncx 3/4 w/Sems |
| 10 | 532 19 69-77 | Pan, Seat |
| 21 | 532 17 18-52 | Bolt, Shoulder 5/16-18 |

| KEY NO. | PART NO. | DESCRIPTION |
|---------|--------------|-------------------------------|
| 37 | 873 80 05-00 | Nut, Lock 5/16-18 unc |
| 40 | 532 19 76-61 | Handle Slide Seat |
| 41 | 532 19 82-00 | Spring Latch Seat |
| 43 | 874 76 06-12 | Bolt 3/8-16 x 3/4 |
| 44 | 819 13 38-12 | Washer 13/32 x 2-3/8 x 12 Ga. |

NOTE: All component dimensions given in U.S. inches
1 inch = 25.4 mm

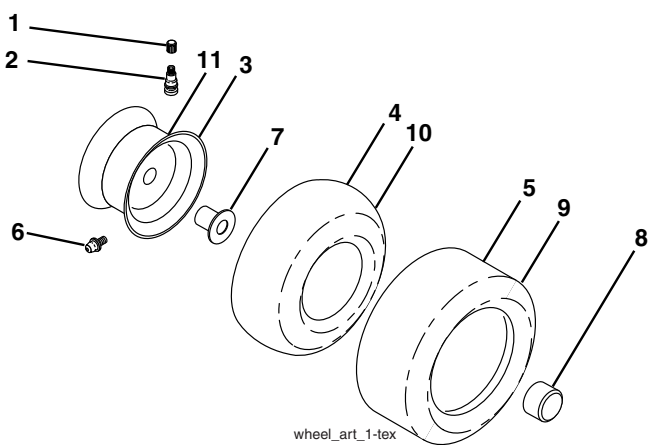
**TRACTOR - MODEL NO. GTH26K54T (96043001100), PRODUCT NO. 960 43 00-11
DECALS**



| KEY NO. | PART NO. | DESCRIPTION |
|---------|--------------|-------------------------|
| 1 | 532 40 21-04 | Decal, Operator's |
| 2 | 532 40 21-28 | Decal, Hood Insert |
| 3 | 532 17 05-63 | Decal, Warning |
| 4 | 532 18 09-41 | Decal, Hood Cust Resp. |
| 5 | 532 17 85-02 | Decal, Caution |
| 8 | 532 19 87-85 | Decal, Mower Sch. |
| 9 | 532 14 50-05 | Decal, Battery Dnge/Poi |
| 13 | 532 18 89-25 | Decal, Steering Whl |

| KEY NO. | PART NO. | DESCRIPTION |
|---------|--------------|-----------------------|
| 14 | 532 40 31-17 | Decal, Panel Side |
| 16 | 532 40 28-32 | Decal, Hood Logo |
| 17 | 532 40 18-88 | Decal, Replacement |
| -- | 532 16 69-60 | Decal, Bypass |
| -- | 532 40 17-71 | Pad, Footrest, LH |
| -- | 532 40 37-73 | Pad, Footrest, RH |
| -- | 532 40 16-54 | Manual, Owner's (Eng) |
| -- | 532 40 16-55 | Manual, Owner's (Fr) |

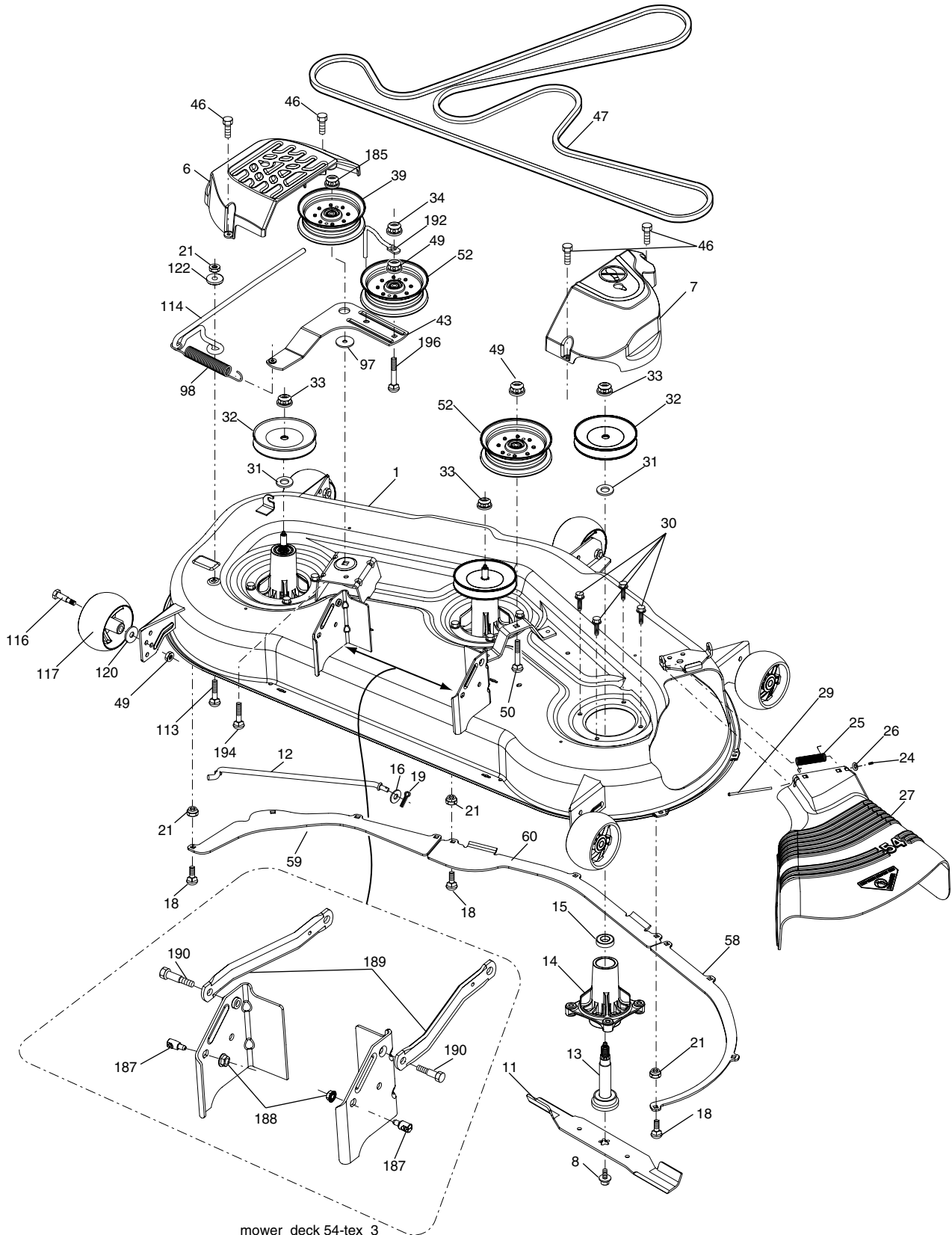
WHEELS AND TIRES



| KEY NO. | PART NO. | DESCRIPTION |
|---------|--------------|------------------------------------|
| 1 | 532 05 91-92 | Cap, Valve, Tire |
| 2 | 532 06 51-39 | Stem, Valve |
| 3 | 532 14 45-09 | Rim Assembly, Front |
| 4 | 532 05 99-04 | Tube, Front (Service Item Only) |
| 5 | 532 10 62-30 | Tire, Front |
| 6 | 532 12 49-57 | Fitting, Grease (Front Wheel Only) |
| 7 | 532 12 49-59 | Bearing, Flange (Front Wheel Only) |
| 8 | 532 17 50-39 | Cap, Axle (Front Wheel Only) |
| 9 | 532 18 47-08 | Tire, Rear |
| 10 | 532 12 49-26 | Tube, Rear (Service Item Only) |
| 11 | 532 40 17-82 | Rim Assembly, Rear |
| -- | 532 14 43-34 | Sealant, Tire (10 oz. Tube) |

NOTE: All component dimensions given in U.S. inches
1 inch = 25.4 mm

**TRACTOR - MODEL NO. GTH26K54T (96043001100), PRODUCT NO. 960 43 00-11
MOWER DECK**

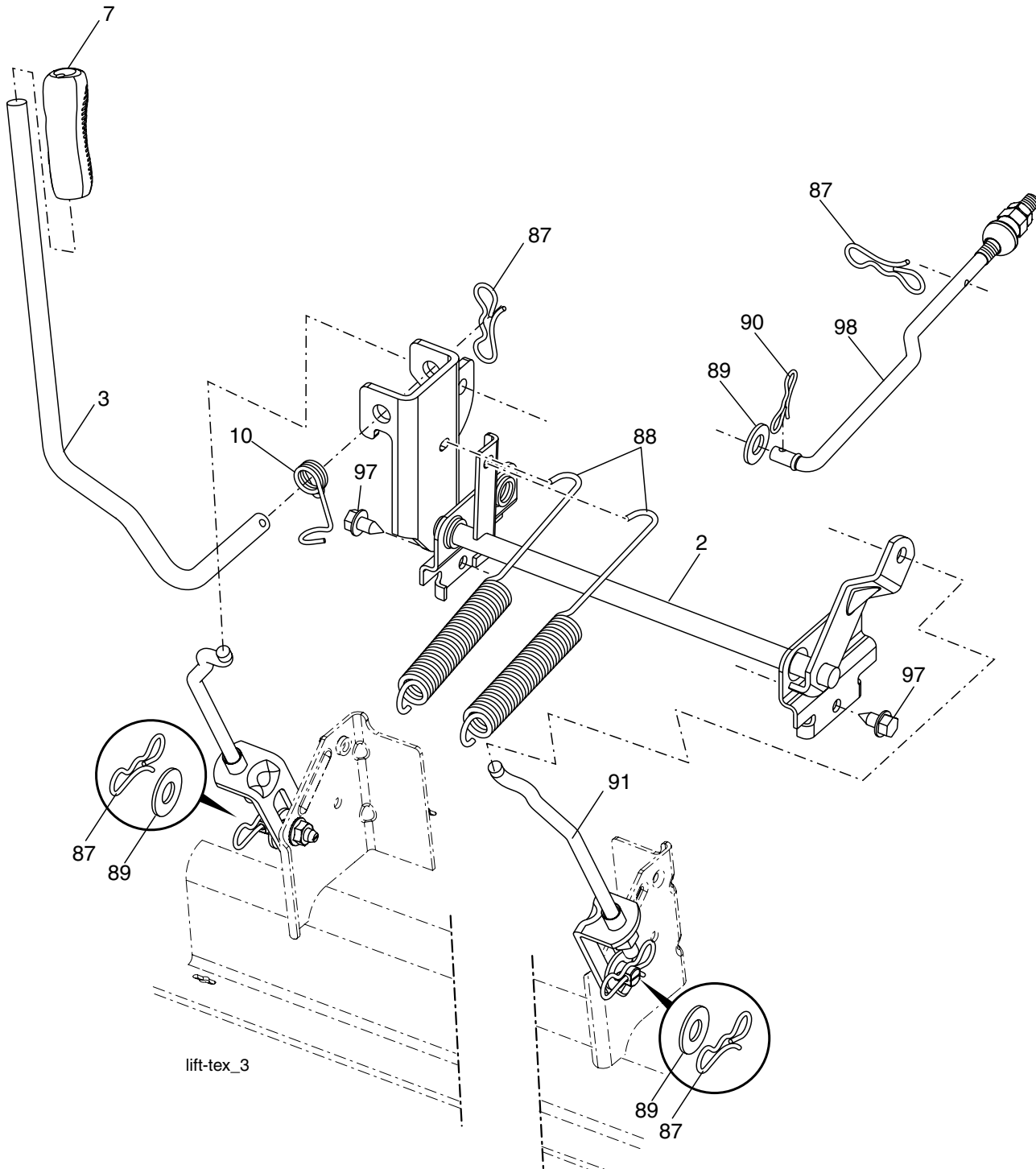


**TRACTOR - MODEL NO. GTH26K54T (96043001100), PRODUCT NO. 960 43 00-11
MOWER DECK**

| KEY NO. | PART NO. | DESCRIPTION | KEY NO. | PART NO. | DESCRIPTION |
|----------------|---------------------|-------------------------------|----------------|---------------------|---|
| 1 | 532 40 31-25 | Deck Weldment Mower | 47 | 532 19 61-03 | Belt Deck Drive |
| 6 | 532 19 60-66 | Cover Mandrel LH | 49 | 873 90 06-00 | Nut, Lock Flg. 3/8-16 unc |
| 7 | 532 19 71-81 | Cover Mandrel RH | 50 | 872 11 06-16 | Bolt Rdhd Sqnk 3/8-16 unc x 2 |
| 8 | 532 17 43-65 | Bolt 7/16 Asm. Blade | 52 | 532 19 61-06 | Pulley Idler |
| 11 | 532 18 72-56 | Blade Bagging | 58 | 532 18 73-42 | Baffle Right |
| -- | 532 18 72-55 | Blade Mulching | 59 | 532 18 73-44 | Baffle Left |
| -- | 532 18 72-54 | Blade Hi-Lift | 60 | 532 18 76-07 | Baffle Center |
| 12 | 532 40 03-37 | Rod Anti Sway | 97 | 532 17 85-15 | Washer Hardened |
| 13 | 532 18 72-91 | Shaft Asm. w/Lower Bearing | 98 | 532 19 61-05 | Spring Drive |
| 14 | 532 18 72-81 | Housing, Mandrel | 113 | 872 11 05-08 | Bolt Rdhd Sqnk 5/16-18 x 3/4 |
| 16 | 819 13 13-12 | Washer 13/32 x 13/16 x 12 Ga. | 114 | 532 18 75-56 | Rod Tension Relief |
| 15 | 532 11 04-85 | Bearing, Ball, Mandrel | 116 | 532 19 34-06 | Bolt, Shoulder |
| 18 | 872 14 05-05 | Bolt RDHD SQNK 5/16-18 x 5/8 | 117 | 532 17 48-73 | Gauge Wheel |
| 19 | 532 19 42-08 | Pin cotter 5/16 Bowtie Lock | 120 | 819 13 20-12 | Washer 13/32 x 1-1/4 x 12 Ga. |
| 21 | 873 68 05-00 | Nut, Crownlock 5/16-18 unc | 122 | 532 18 75-57 | Bushing Tension Relief |
| 24 | 532 10 53-04 | Cap Sleeve | 185 | 873 90 07-00 | Nut Lock Flange 7/16-14 Gr. 5 |
| 25 | 532 17 81-02 | Spring, Torsion | 187 | 532 19 51-61 | Stud Fastener w/"D" Anti-Rotation |
| 26 | 532 11 04-52 | Nut, Push | 188 | 873 90 05-00 | Nut Lock Hex Flange |
| 27 | 532 18 89-38 | Deflector Shield | 189 | 532 19 51-85 | Arm Susp. Mower Rear |
| 29 | 532 13 14-91 | Rod, Hinge | 190 | 532 19 65-39 | Bolt Shoulder |
| 30 | 532 17 39-84 | Screw, Thdroll Washer Head | 192 | 532 19 84-68 | Keeper Belt Idler |
| 31 | 532 18 76-90 | Washer, Spacer Mower Vented | 194 | 872 14 07-16 | Bolt Carr Sqnk 3/8-16 x 2-1/4 |
| 32 | 532 17 34-36 | Pulley, Mandrel | 196 | 872 14 06-20 | Bolt Rdhd Sqnk 3/8-16 x 2-1/2 Gr.5 |
| 33 | 532 40 02-34 | Nut, Flg. Top Lock | -- | 532 18 72-92 | Mandrel Asm. Service (Includes Key Nos. 13-15 and 33) |
| 34 | 873 68 06-00 | Nut Crownlock 3/8-16 unc | -- | 532 19 93-00 | Replacement Mower, Complete |
| 39 | 532 19 61-04 | Pulley, Idler, Stationary LH | | | |
| 43 | 532 19 60-65 | Arm, Idler | | | |
| 46 | 532 13 77-29 | Screw, Thdroll. 1/4-20 x 5/8 | | | |

NOTE: All component dimensions given in U.S. inches
1 inch = 25.4 mm

**TRACTOR - MODEL NO. GTH26K54T (96043001100), PRODUCT NO. 960 43 00-11
MOWER LIFT**



| KEY NO. | PART NO. | DESCRIPTION |
|---------|--------------|------------------------------|
| 2 | 532 19 52-23 | Shaft Asm., Lift |
| 3 | 532 19 52-30 | Lever Asm., Lift Rh |
| 7 | 532 19 64-92 | Grip, Lever |
| 10 | 532 19 63-14 | Spring Torsion |
| 87 | 532 19 42-09 | Pin Cotter 7/16 Bow Tie Lock |
| 88 | 532 19 53-04 | Spring Lift Assist |

| KEY NO. | PART NO. | DESCRIPTION |
|---------|--------------|----------------------------------|
| 89 | 819 19 19-12 | Washer Clear Zinc |
| 90 | 532 19 42-08 | Pin Cotter 5/16 Bow Tie Lock |
| 91 | 532 40 34-07 | Link Lift Susp Mower Rear |
| 97 | 817 06 06-12 | Screw 3/8-16 x .75 Smgml Tap/R.Z |
| 98 | 532 19 52-64 | Link Lift Susp. Front Mower |

NOTE: All component dimensions given in U.S. inches
1 inch = 25.4 mm