



BOSCH

Laser Level

GTL 2 | 3 601 K64 010

Table of Content

Spare parts list.....	2
Illustration - Type.....	3

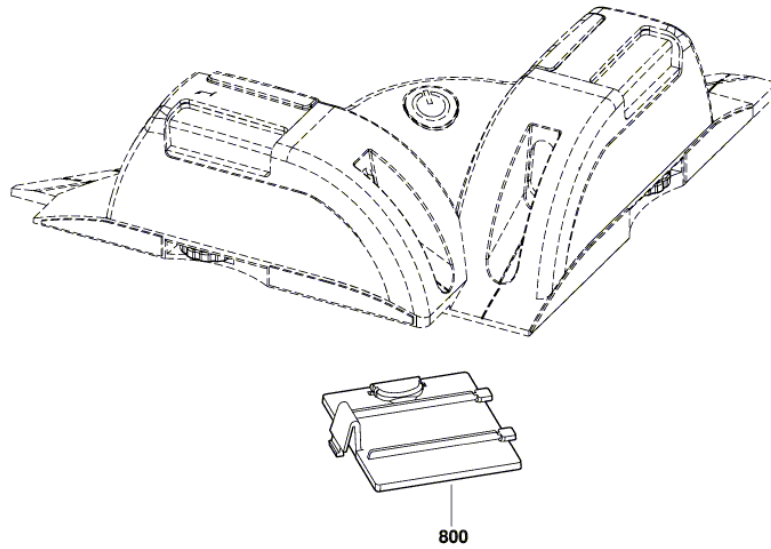
Spare parts list

Item	Part Number	Description	Illustration	Price	Quantity	Price Group
800	2 610 A08 128	Battery Cover	1	-	1	

* Prices shown are suggested retail prices

Illustration - Type - E

F 034 064 100
Stand }
Issue } 09-03-25 **Fig. /Abb. 1**



Änderungen vorbehalten
Modifications reserved
Modifications réservées
Salvo modificaciones