



BOSCH

Table Saw

GTS18V-08 | 3 601 M48 010

Table of Content

Spare parts list.....	2
Illustration - Type.....	8

Spare parts list			
Item	Part Number	Description	Illustration
3	1 609 B07 032	Screw	1
5	2 610 950 054	Bolt	1
6	1 609 B07 072	Shoulder Screw	1
7	1 609 B07 073	Plain Washer	1
9	2 610 911 901	Self-locking nut	1
10	1 609 B06 902	Push Rod	1
11	1 609 B06 903	Push Rod	1
12	2 610 996 920	Connecting Nut	1
13	2 610 994 262	Clamp	1
14	2 610 016 558	Nut	1
15	1 609 B06 861	Clamp Handle	1
16	1 609 B07 034	Plain Washer	1
17	2 610 911 902	Clip	1
20	1 609 B07 015	Warning Label	1
21	1 609 B07 016	Warning Label	1
22	1 609 B07 017	Warning Label	1
26	1 609 B06 863	End cap	1
27	1 609 B07 038	Guide Rail	1
28	1 609 B07 039	Screw	1
29	1 609 B06 857	Sliding Rail	1
30	1 609 B06 905	Pointer	1
31	2 610 010 404	Screw	1
40	1 609 B07 041	Screw	1
41	1 609 B07 042	Plain Washer	1
42	1 609 B07 030	Knob	1
43	1 604 612 010	Compression Spring	1
44	1 600 A00 HG9	Plain Washer	1
45	1 609 B07 046	Plain Washer	1
46	1 603 430 02E	Screw	1
63	1 609 B06 900	Spring Plate	1
66	1 600 A02 75Y	Table top	1
67	2 610 015 075	Washer	1
105	1 609 B07 050	Tapping Screw	1
106	1 609 B06 998	Mounting Bracket	1
107	2 610 950 070	Bushing	1

Table Saw | GTS18V-08 | 3 601 M48 010

Spare parts list

Item	Part Number	Description	Illustration
108	2 610 950 069	Screw	1
113	1 609 B07 052	Plain Washer	1
123	1 609 B07 077	Nut	1
145	1 609 B06 901	Control Plate	1
149	1 609 B07 035	Compression Spring	1
169	1 609 B06 918	fixing plate	1
240	2 610 950 091	Set screw	1
241	1 609 B07 009	Scale	1
243	1 609 B06 904	Detent plate	1
244	1 609 B06 856	Sliding Rail	1
245	1 609 B07 075	Screw	1
246	1 609 B07 076	Plain Washer	1
247	1 609 B07 074	Plain Washer	1
256	1 609 B06 862	End cap	1
257	1 609 B07 078	Screw	1
258	1 609 B07 079	Plain Washer	1
271	1 609 B07 319	Wave spring	1
808	1 609 B07 102	Nameplate	1
832	1 609 B07 040	Wheel Set	1
838	1 609 B07 070	Support Plate	1
1	1 609 B06 868	Motor cover	2
2	1 607 022 69E	Brushless DC motor	2
19	1 609 B07 088	Screw	2
48	1 605 806 69T	Gear Box	2
49	2 610 950 042	Spring Washer	2
50	1 609 B07 083	Output Shaft	2
51	1 600 A02 761	Gear cover	2
52	2 610 997 210	Ball Bearing	2
53	1 609 B07 084	Screw	2
54	2 610 358 916	Spring retaining ring	2
55	1 609 B07 085	Gear	2
56	2 610 996 949	Ball Bearing	2
57	2 610 998 572	Screw	2
58	1 609 B06 908	fixing plate	2
60	1 609 B07 086	Torsion Spring	2

Spare parts list

Item	Part Number	Description	Illustration
61	1 609 B06 906	Locking Lever	2
62	1 609 B07 931	Screw	2
64	2 610 018 230	Screw	2
65	1 609 B07 087	Ribbon cable	2
68	1 609 B06 907	Holding Plate	2
69	2 610 015 078	Screw	2
70	1 607 233 5GA	Electronic Module	2
71	1 609 B07 090	Screw	2
72	1 609 B06 869	Cover	2
73	1 609 B06 870	Cable Cover	2
79	1 609 B07 861	Connecting Tube	2
84	1 609 B07 864	Screw	2
85	1 609 B06 871	Cable Cover	2
102	2 610 015 018	Screw	2
103	1 603 430 030	Screw	2
165	1 609 B07 062	Clamping Flange	2
166	2 610 950 047	Arbor	2
259	1 609 B07 089	Washer	2
267	1 609 B07 071	Fixing Spring	2
826	1 609 B07 069	Riving Knife	2
93	2 610 950 108	Screw	3
124	1 609 B06 912	Base Frame	3
135	1 609 B07 054	Tapping Screw	3
138	1 609 B07 055	Clamping wrench	3
139	2 610 911 920	Rubber Bushing	3
142	1 609 B08 039	Plain Washer	3
143	1 609 B08 040	Bolt	3
263	1 609 B07 025	Bumper	3
828	1 609 B07 094	Corner Bracket	3
829	1 609 B07 001	Corner Bracket	3
831	1 609 B07 095	Corner Bracket	3
833	1 609 B07 096	Corner Bracket	3
861	1 609 B07 097	Carrying Handle	3
23	1 609 B07 013	Warning Label	4
24	1 609 B07 027	Warning Label	4

Spare parts list			
Item	Part Number	Description	Illustration
25	1 609 B07 028	Warning Label	4
59	1 609 B07 867	Screw	4
74	1 609 B06 885	Battery Holder	4
75	1 609 B06 886	Battery Holder	4
76	1 609 B06 855	Contact retainer	4
77	1 609 B07 091	Compression Spring	4
78	1 609 B07 860	Tapping Screw	4
80	1 609 B07 862	Ribbon cable	4
81	1 609 B07 863	Ribbon cable	4
83	1 609 B06 884	Cover	4
109	1 609 B07 869	Screw	4
114	1 609 B06 882	Front Plate	4
115	2 610 950 131	Screw	4
116	1 609 B06 914	Holding Plate	4
117	1 609 B07 004	Cam	4
118	2 610 016 557	Washer	4
119	1 609 B07 006	Scale	4
120	1 609 B07 007	Label	4
121	1 609 B07 020	Label	4
122	1 609 B07 021	Label	4
136	1 609 B06 913	combination wrench	4
137	1 609 B06 898	Rotary Knob	4
140	1 609 B07 056	Screw	4
150	2 610 015 044	Washer	4
151	2 610 015 061	Bushing	4
152	1 609 B06 887	Locking Lever	4
153	2 610 015 359	Screw	4
154	2 610 950 115	Spring	4
155	2 610 015 001	Washer	4
156	2 610 015 069	Handwheel	4
157	2 610 950 059	Handle	4
158	2 610 950 060	Screw	4
159	2 610 950 389	Washer	4
160	1 609 B06 999	Plain Washer	4
248	1 609 B07 031	Bracket	4

Spare parts list

Item	Part Number	Description	Illustration
249	1 609 B07 868	Tapping Screw	4
264	1 609 B07 026	Handle	4
265	1 609 B07 057	Screw	4
266	1 609 B07 059	Washer	4
804	1 609 B07 058	Switch Set	4
47	1 600 A02 75Z	Carrier	5
86	1 609 B07 044	Guide Rod	5
87	1 609 B07 045	Guide Rod	5
88	1 609 B07 047	Screw	5
89	1 609 B07 865	Threaded Rod	5
90	2 610 015 042	Bevel Gear	5
91	2 610 015 045	Screw	5
92	2 610 910 013	Washer	5
94	2 610 015 043	Bushing	5
95	1 609 B06 909	Bracket	5
96	1 600 A00 J3E	Screw	5
97	2 610 013 162	Washer	5
98	2 610 015 070	Screw	5
99	1 609 B07 866	Drive Shaft	5
100	2 610 015 049	Bushing	5
101	1 609 B06 888	Cover Plate	5
104	1 609 B06 916	Sealing plate	5
161	2 610 016 566	Washer	5
162	1 609 B06 915	Pointer	5
163	2 610 015 065	Screw M5x8	5
167	1 609 B06 917	Stop Plate	5
168	1 609 B06 889	Cover Plate	5
170	1 609 B07 064	Extension Spring	5
171	1 609 B07 065	Screw	5
172	2 610 950 117	Screw	5
173	2 610 015 058	Washer	5
174	1 609 B06 890	Dust-Cover Holder	5
175	1 609 B07 872	Screw	5
176	1 609 902 053	Plain Washer	5
177	2 610 015 053	Spring retaining ring	5

Spare parts list

Item	Part Number	Description	Illustration
208	1 609 B07 092	Cover Plate	5
209	2 610 017 050	Rod	5
268	1 609 B07 932	Washer	5
110	1 609 B07 022	Guard Flap	6
111	1 609 B06 910	fixing plate	6
112	1 609 B06 911	fixing plate	6
820	1 609 B07 068	Safety Device	6
823	1 609 B07 067	Upper guard	6
853	1 609 B07 093	Mitre Fence	6
252	1 600 A01 R5R	Pusher	7
888	1 609 B07 066	Parallel-Guide	7

Illustration - Type - E

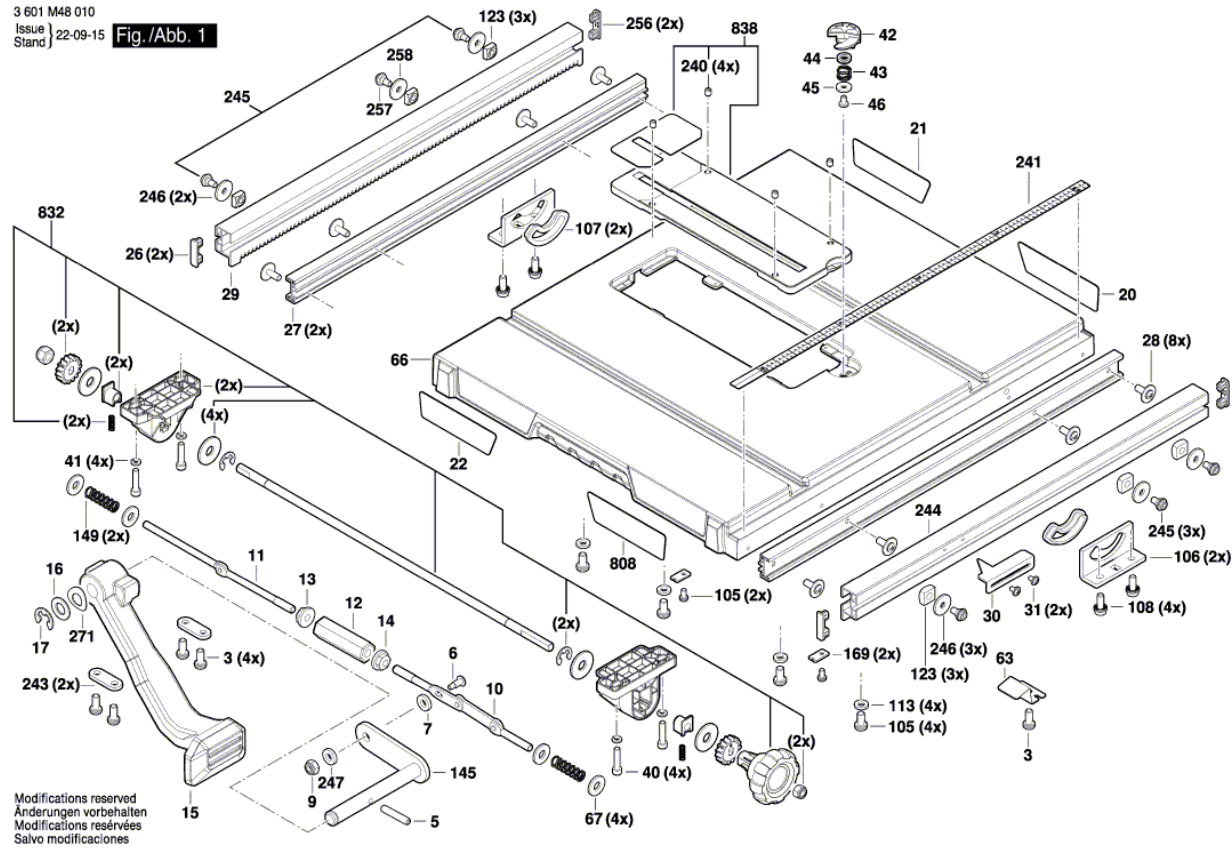


Illustration - Type - E

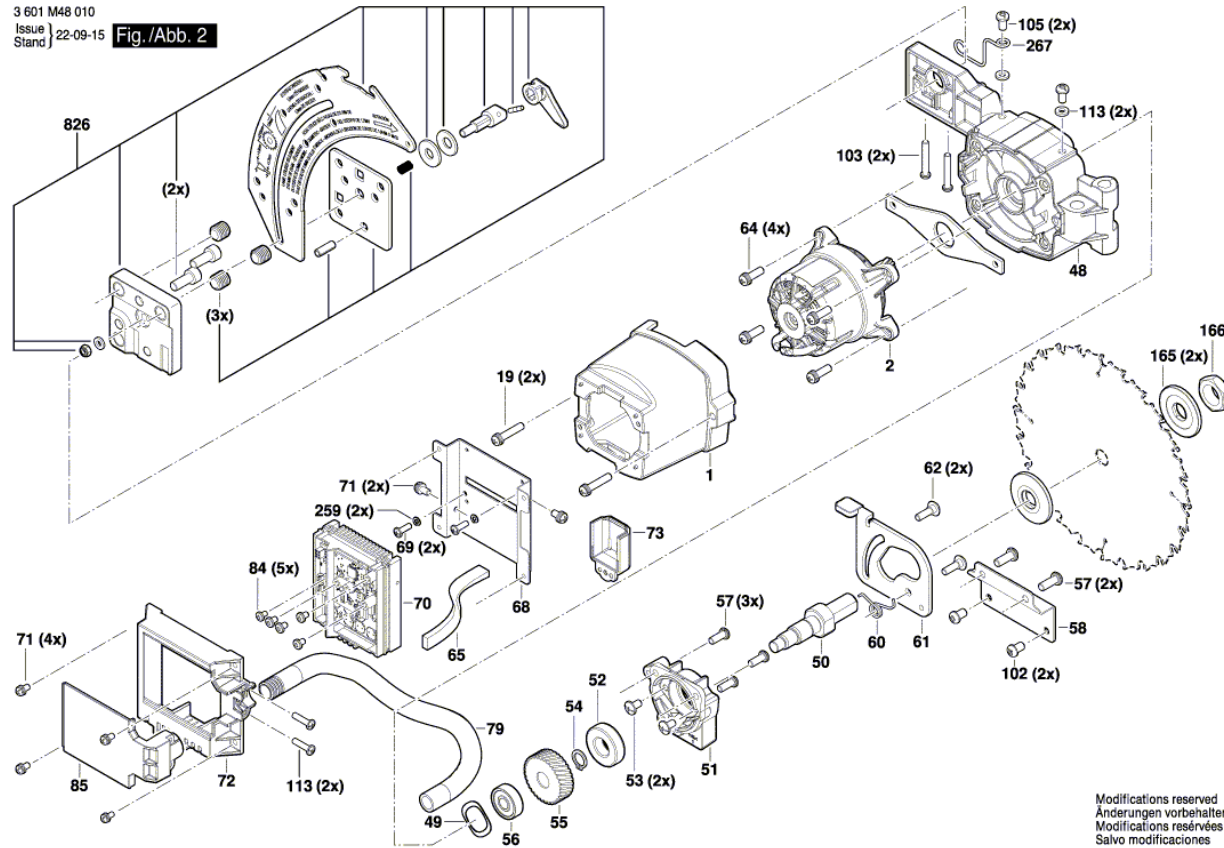
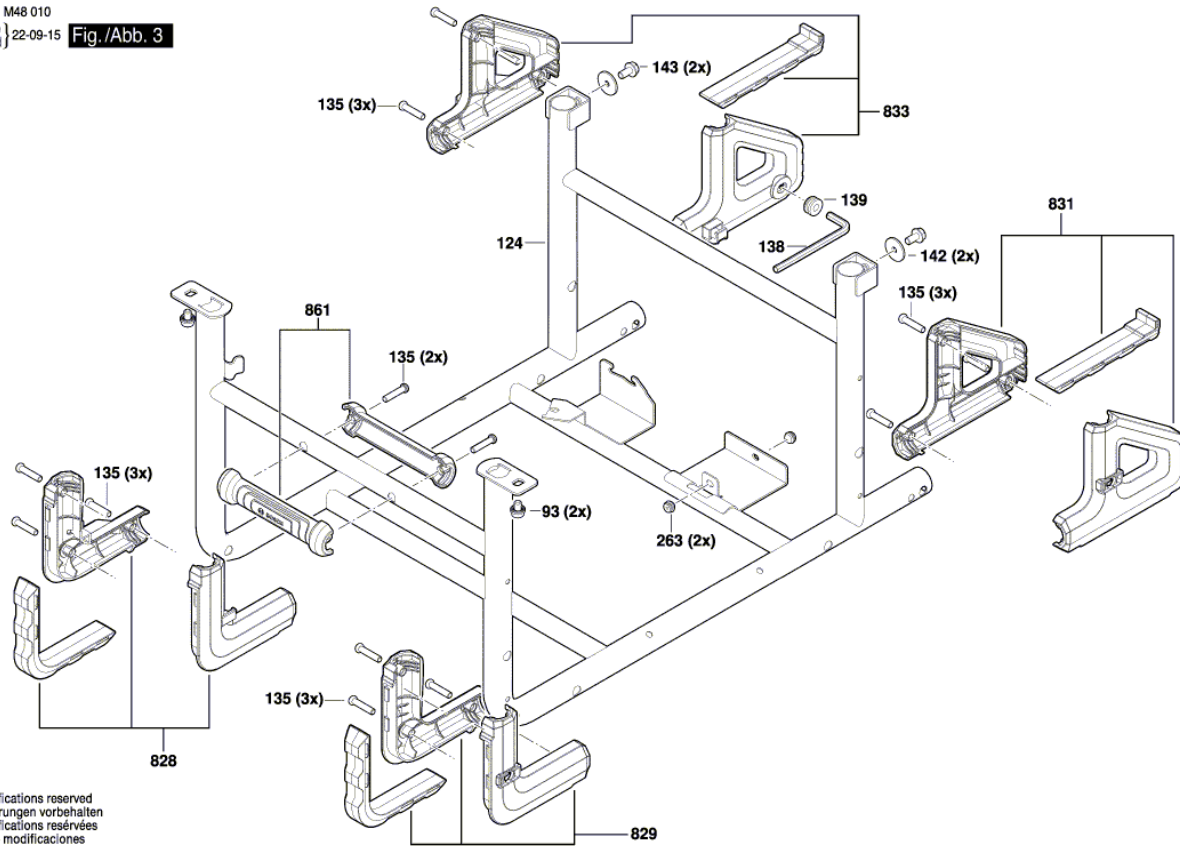


Illustration - Type - E

3 601 M48 010
Issue | 22-09-15
Stand | **Fig./Abb. 3**



Modifications reserved
Änderungen vorbehalten
Modifications réservées
Salvo modificaciones

Illustration - Type - E

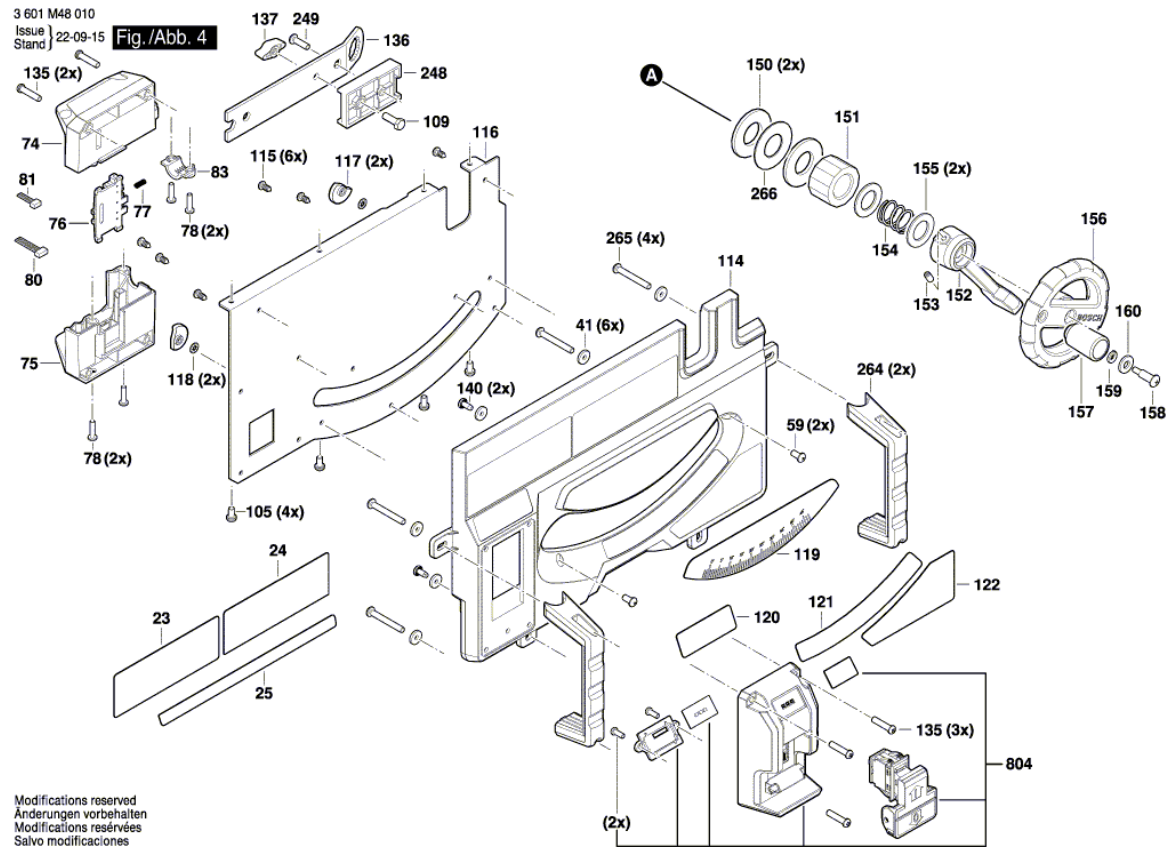
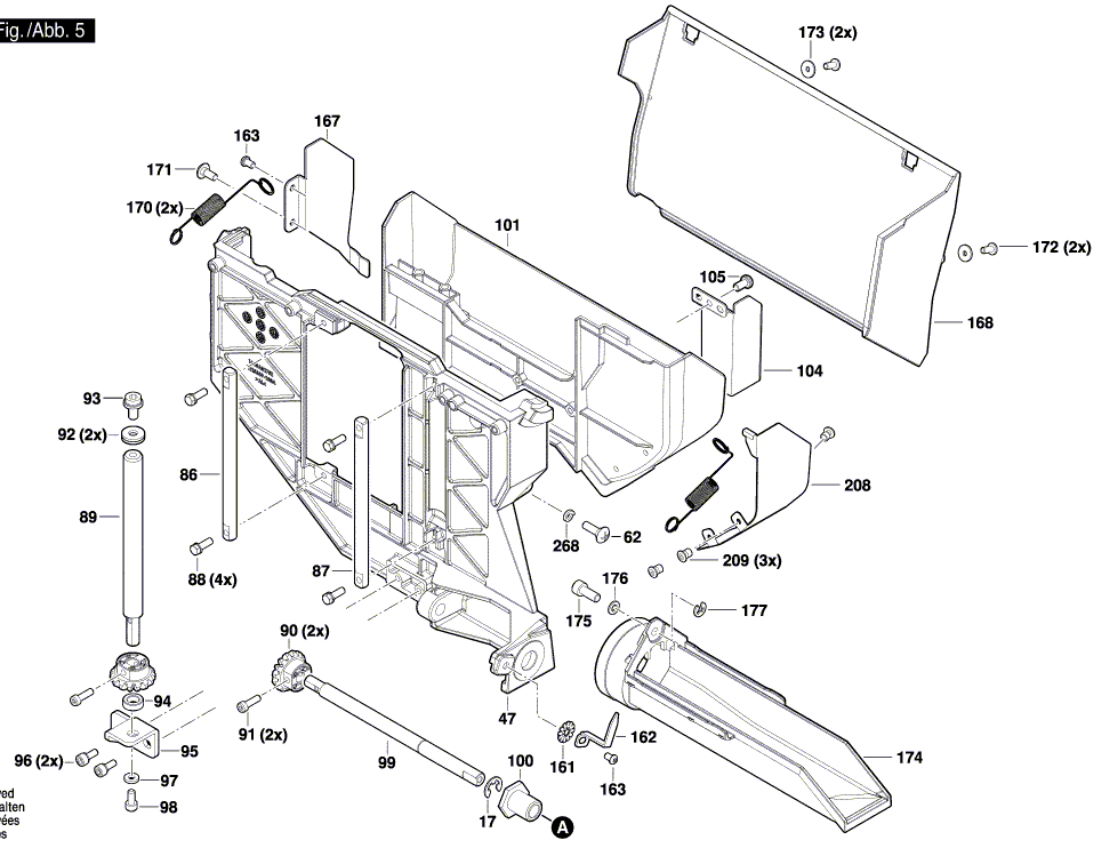


Illustration - Type - E

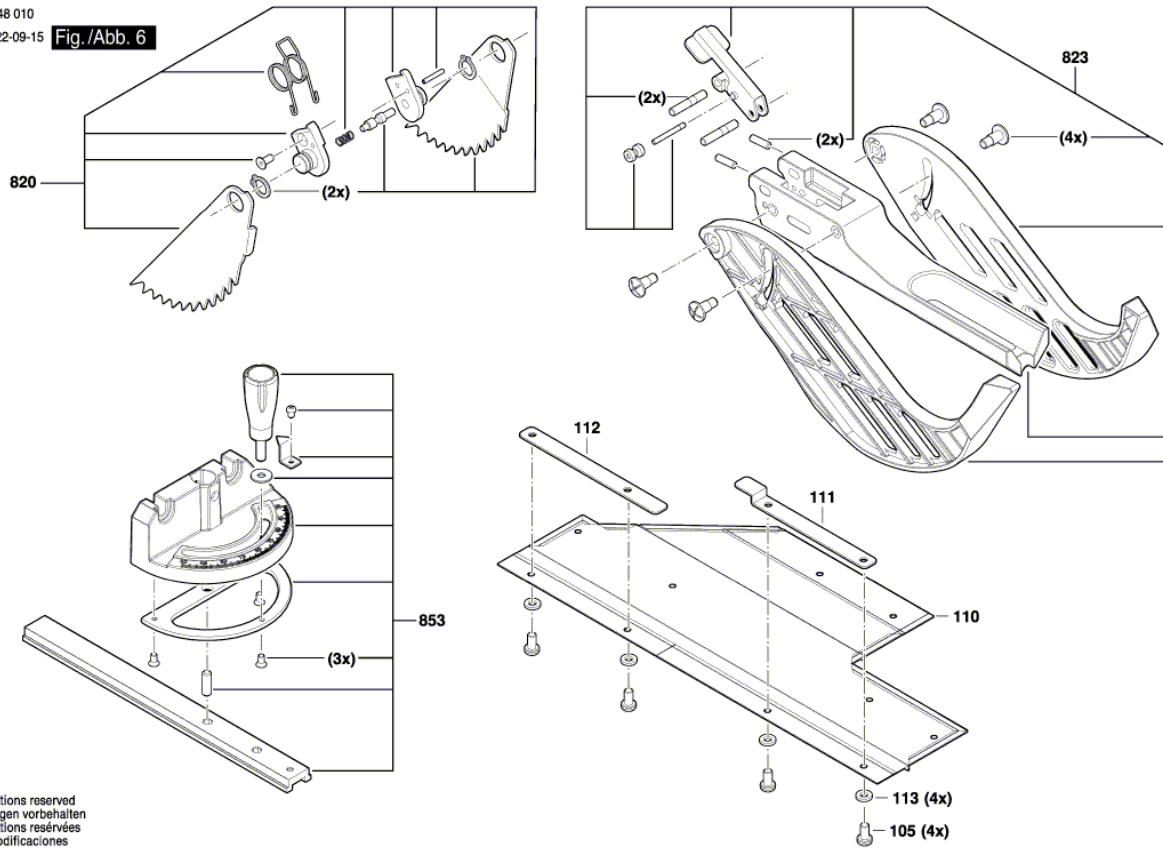
3 601 M48 010
 Issue | 22-09-15
 Stand | **Fig./Abb. 5**



Modifications reserved
 Änderungen vorbehalten
 Modifications réservées
 Salvo modificaciones

Illustration - Type - E

3 601 M48 010
 Issue | 22-09-15
 Stand | Fig./Abb. 6



Modifications reserved
 Änderungen vorbehalten
 Modifications réservées
 Salvo modificaciones

Illustration - Type - E

