



BOSCH

Table Saw

GTS 254 | 3 601 M45 080

Table of Content

Spare parts list.....	2
Illustration - Type.....	7

Spare parts list

Item	Part Number	Description	Illustration	Price	Quantity	Price Group
46	1 600 A02 2CC	Gasket	1	-	22	
89	1 600 A02 2CG	Nut	1	-	34	
91	1 600 A02 2BM	Washer	1	-	30	
188	1 600 A02 2EX	Frame	1	-	4	
189	1 600 A02 2EY	Supporting foot	1	-	4	
190	1 600 A02 2FK	Support	1	-	2	
191	1 603 430 09L	Screw	1	-	4	
192	1 603 430 09M	Screw	1	-	8	
193	1 600 A02 2FV	Table Leg	1	-	4	
194	1 603 430 09N	Screw	1	-	8	
4	1 607 200 37L	Switch	2	-	1	
5	1 619 PB6 258	Power supply cord CN	2	-	1	
6	1 600 703 05B	Grommet	2	-	1	
7	1 600 A02 2BY	Clamp	2	-	2	
8	1 601 11A 8G4	Nameplate	2	-	1	
9	1 601 11C 3WM	Sticker	2	-	1	
12	1 619 PB6 256	Suppression Capacitor	2	-	1	
19	1 603 430 08V	Screw	2	-	10	
77	1 603 430 091	Screw	2	-	13	
83	1 603 430 093	Screw	2	-	6	
141	1 600 A02 2FY	Equipment Holder	2	-	1	
142	1 600 A02 2DJ	Seat	2	-	2	
143	1 600 A02 2FZ	Body	2	-	1	
144	1 604 400 01P	Cable	2	-	1	
145	1 600 A02 2G5	Protection	2	-	1	
146	1 603 430 09B	Screw	2	-	3	
147	1 600 A02 2FD	Bracket	2	-	1	
148	1 600 A02 2DK	Seat	2	-	1	
149	1 600 A02 2D6	Switch Cover	2	-	1	
151	1 600 A02 2BW	Pin	2	-	1	
152	1 600 A02 2C4	Switch Spring	2	-	1	
153	1 600 A02 2EZ	Trigger	2	-	1	
154	1 603 430 09C	Screw	2	-	3	
155	1 600 A02 2DT	Plate	2	-	1	
156	1 600 A02 2CH	Nut	2	-	2	

* Prices shown are suggested retail prices

Spare parts list

Item	Part Number	Description	Illustration	Price	Quantity	Price Group
157	1 600 A02 2CJ	Nut	2	-	3	
200	1 619 PB6 257	Inductor	2	-	1	
23	1 600 A02 2CF	Nut	3	-	3	
35	1 603 430 08W	Screw	3	-	6	
43	1 600 A02 2BT	Locking Pin	3	-	1	
44	1 600 A02 2FM	Clamping Lever	3	-	1	
45	1 600 A02 2FN	Wheel	3	-	1	
47	1 603 430 09P	Screw	3	-	5	
48	1 600 A02 2ES	Bracket	3	-	1	
49	1 603 430 08Y	Screw	3	-	2	
50	1 600 A02 2DV	Plate	3	-	1	
51	1 600 A02 2C9	Screw	3	-	1	
54	1 600 A02 2CX	Locking Lever	3	-	1	
55	1 600 A02 2CY	Guard	3	-	1	
57	1 600 A02 2F1	Riving Knife	3	-	1	
58	1 600 A02 2CN	Bolt	3	-	1	
67	1 600 A02 2DM	Stop Plate	3	-	1	
68	1 600 A02 2DN	Stop Plate	3	-	1	
69	6 082 850 6S7	Insert	3	-	1	
70	1 600 A02 2F2	Clip	3	-	1	
71	1 603 430 08Z	Screw	3	-	1	
72	1 605 500 2HL	Cover	3	-	1	
73	1 600 A02 2F5	Table top	3	-	1	
74	1 600 A02 2ET	Base	3	-	1	
75	1 603 430 090	Screw	3	-	4	
76	1 600 A02 2E1	Plug	3	-	1	
78	1 600 A02 2F6	Table top	3	-	1	
79	1 600 A02 2ED	Handle	3	-	2	
80	1 600 A02 2DD	Seat	3	-	1	
81	1 603 430 092	Screw	3	-	4	
82	1 600 A02 2DE	Seat	3	-	2	
84	1 600 A02 2C3	Torsion Spring	3	-	1	
85	1 600 A02 2CZ	Guard	3	-	1	
86	1 600 A02 2D0	Guard	3	-	1	
87	1 600 A02 2F7	Shim	3	-	2	

* Prices shown are suggested retail prices

Spare parts list

Item	Part Number	Description	Illustration	Price	Quantity	Price Group
88	1 600 A02 2DF	Seat	3	-	1	
90	1 600 150 03M	Spring Washer	3	-	24	
92	1 600 A02 2F8	Scale Wheel	3	-	4	
93	1 600 A02 2F9	Indicator	3	-	1	
94	1 600 A02 2DP	mounting plate	3	-	4	
95	1 600 A02 2CP	Bolt	3	-	4	
96	1 600 A02 2E2	Plug	3	-	1	
97	1 600 A02 2EP	Scale	3	-	1	
98	1 600 A02 2EU	Base	3	-	1	
99	1 600 A02 2ER	Scale	3	-	1	
100	1 600 A02 2E3	Plug	3	-	1	
861	1 619 PB6 270	Pawl	3	-	1	
2	1 604 220 58V	Field	4	-	1	
13	1 600 900 09G	groove ball bearing	4	-	1	
101	1 600 A02 2CD	Gasket	4	-	4	
123	1 600 A02 2DU	Plate	4	-	1	
124	1 600 A02 2CL	Nut	4	-	1	
126	1 603 430 097	Screw	4	-	4	
127	1 600 A02 2FT	Shroud	4	-	1	
128	1 603 430 098	Screw	4	-	2	
129	1 600 A02 2FU	Washer	4	-	1	
130	1 600 A02 2E8	Cap	4	-	2	
131	1 605 500 2HN	Cover	4	-	1	
132	1 600 A02 2EL	Connecting Wire	4	-	1	
135	1 600 A02 2EA	Sleeve	4	-	1	
136	1 600 A02 2D8	Rod	4	-	1	
137	1 606 333 2FF	Bevel Gear	4	-	2	
138	1 603 430 09A	Screw	4	-	2	
139	1 600 A02 2EB	Sleeve	4	-	1	
140	1 600 A02 2BP	Washer	4	-	1	
201	1 600 A02 5FB	Tube	4	-	3	
801	1 619 PB6 273	Motor Housing	4	-	1	
803	1 619 PB6 274	Armature	4	-	1	
810	1 619 PB6 280	Carbon-Brush Set	4	-	1	
825	1 619 PB7 259	Gear Housing	4	-	1	

* Prices shown are suggested retail prices

Spare parts list

Item	Part Number	Description	Illustration	Price	Quantity	Price Group
102	1 605 500 2HM	Cover	5	-	1	
103	1 603 430 094	Screw	5	-	1	
105	1 600 A02 2FA	Flange	5	-	1	
107	1 619 PB6 279	Flange	5	-	1	
108	1 600 A02 2DY	Plate	5	-	1	
109	1 603 430 095	Screw	5	-	4	
112	1 600 A02 2FP	Woodruff Key	5	-	1	
113	1 600 A02 2FR	Output Shaft	5	-	1	
114	1 603 430 09R	Screw	5	-	1	
115	1 600 A02 2BL	Crown Gear	5	-	1	
116	1 600 A02 2BK	Riving Knife	5	-	1	
117	1 600 A02 2F4	Circlip	5	-	1	
119	1 603 430 096	Screw	5	-	2	
120	1 600 A02 2DG	Seat	5	-	1	
121	1 600 A02 2FS	Pad	5	-	1	
122	1 600 A02 2DH	Seat	5	-	1	
133	1 600 A02 2BN	Washer	5	-	2	
134	1 603 430 099	Screw	5	-	2	
158	1 600 A02 2E9	Cap	5	-	1	
159	1 605 132 19G	Handle	5	-	1	
160	1 603 430 09D	Screw	5	-	1	
161	1 600 A02 2FE	Wheel	5	-	1	
162	1 600 A02 2BR	Washer	5	-	2	
163	1 600 A02 2C7	Spring	5	-	1	
164	1 600 A02 2FF	Lever	5	-	1	
165	1 603 430 09E	Screw	5	-	1	
166	1 600 A02 2CK	Nut	5	-	1	
167	1 600 A02 2BS	Washer	5	-	1	
168	1 600 A02 2D1	Pointer	5	-	1	
169	1 600 A02 2FG	Shaft	5	-	1	
170	1 603 430 09F	Screw	5	-	5	
171	1 600 A02 2DA	Rod	5	-	1	
172	1 600 A02 2EC	Sleeve	5	-	1	
173	1 600 A02 2DS	Plate	5	-	1	
174	1 600 A02 2DL	Seat	5	-	1	

* Prices shown are suggested retail prices

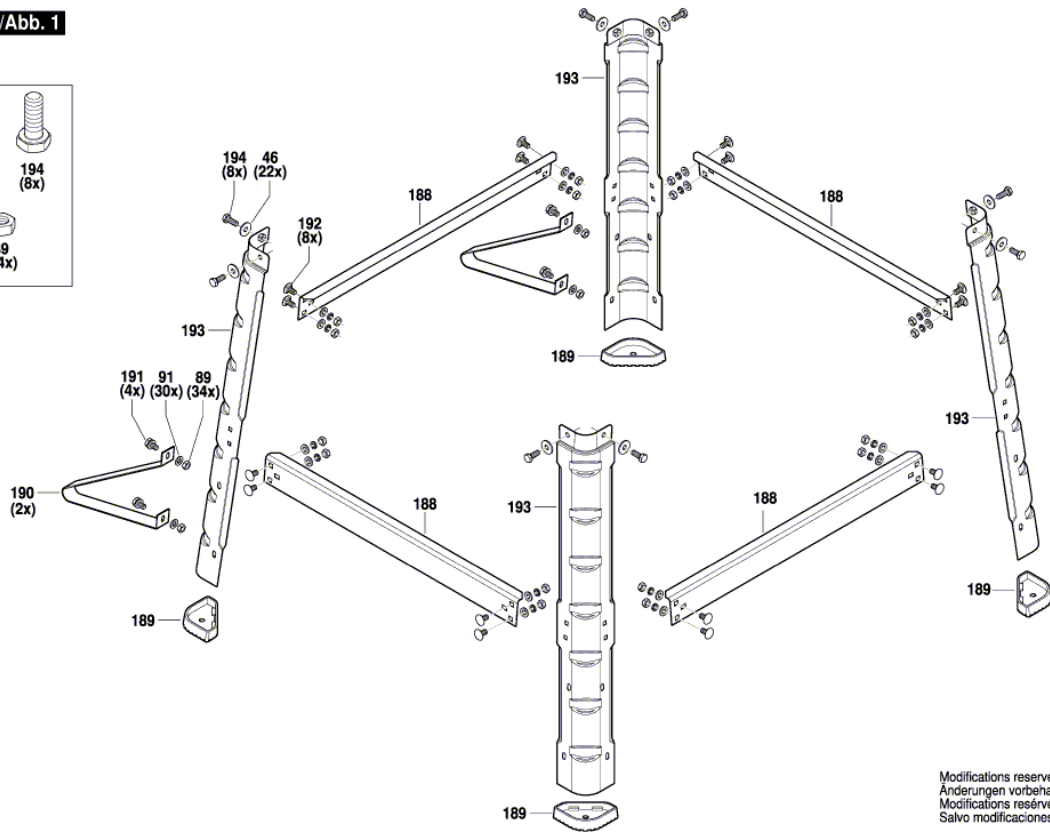
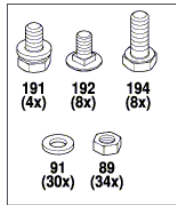
Spare parts list

Item	Part Number	Description	Illustration	Price	Quantity	Price Group
175	1 603 430 09G	Screw	5	-	4	
198	1 603 430 0A7	Screw	5	-	1	
811	1 619 PB6 276	Bearing cover	5	-	1	
195	1 600 A02 2D7	Push rod	6	-	1	
196	1 600 A02 2FW	Gripping Wedge	6	-	1	
197	1 600 A02 2FX	Assembly Wrench	6	-	1	
830	1 619 PB6 271	Edge Guide	6	-	1	
881	1 619 PB6 272	Mitre Fence	6	-	1	
27	1 600 A02 2DZ	Plug	7	-	1	
28	1 600 A02 2EG	End stop	7	-	1	
32	1 600 A02 2CM	Bolt	7	-	2	
33	1 600 A02 2E0	Plug	7	-	1	
34	1 600 A02 2C0	Knob	7	-	4	
176	1 600 A02 2E4	Plug	7	-	1	
177	1 600 A02 5F9	Plate	7	-	1	
178	1 600 A02 2E5	Plug	7	-	1	
179	1 603 430 09H	Screw	7	-	2	
199	1 600 A02 5FA	Spring	7	-	1	

* Prices shown are suggested retail prices

Illustration - Type - E

3 601 M45 000
 Issue | 21-01-07
 Stand | **Fig./Abb. 1**



Modifications reserved
 Änderungen vorbehalten
 Modifications réservées
 Salvo modificaciones

Illustration - Type - E

3 601 M45 000
 Issue | 21-01-07
 Stand | **Fig./Abb. 2**

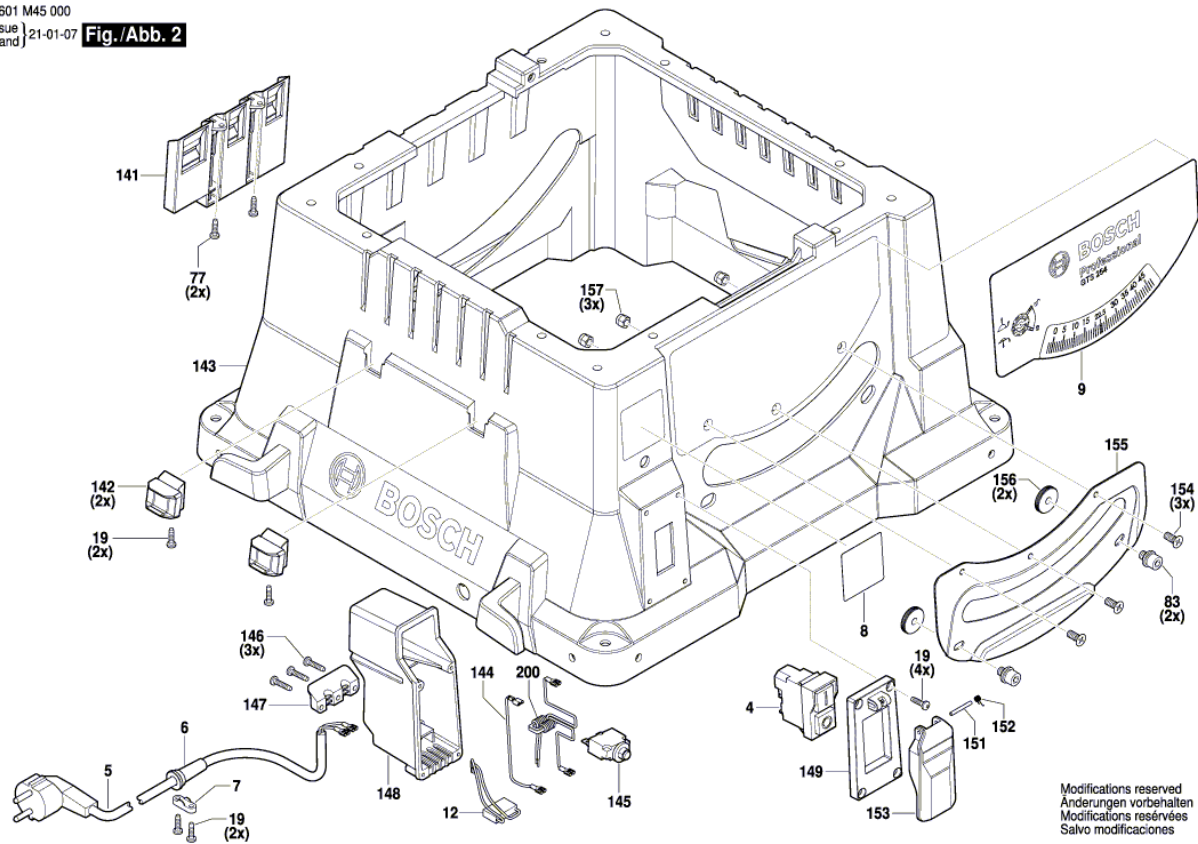


Illustration - Type - E

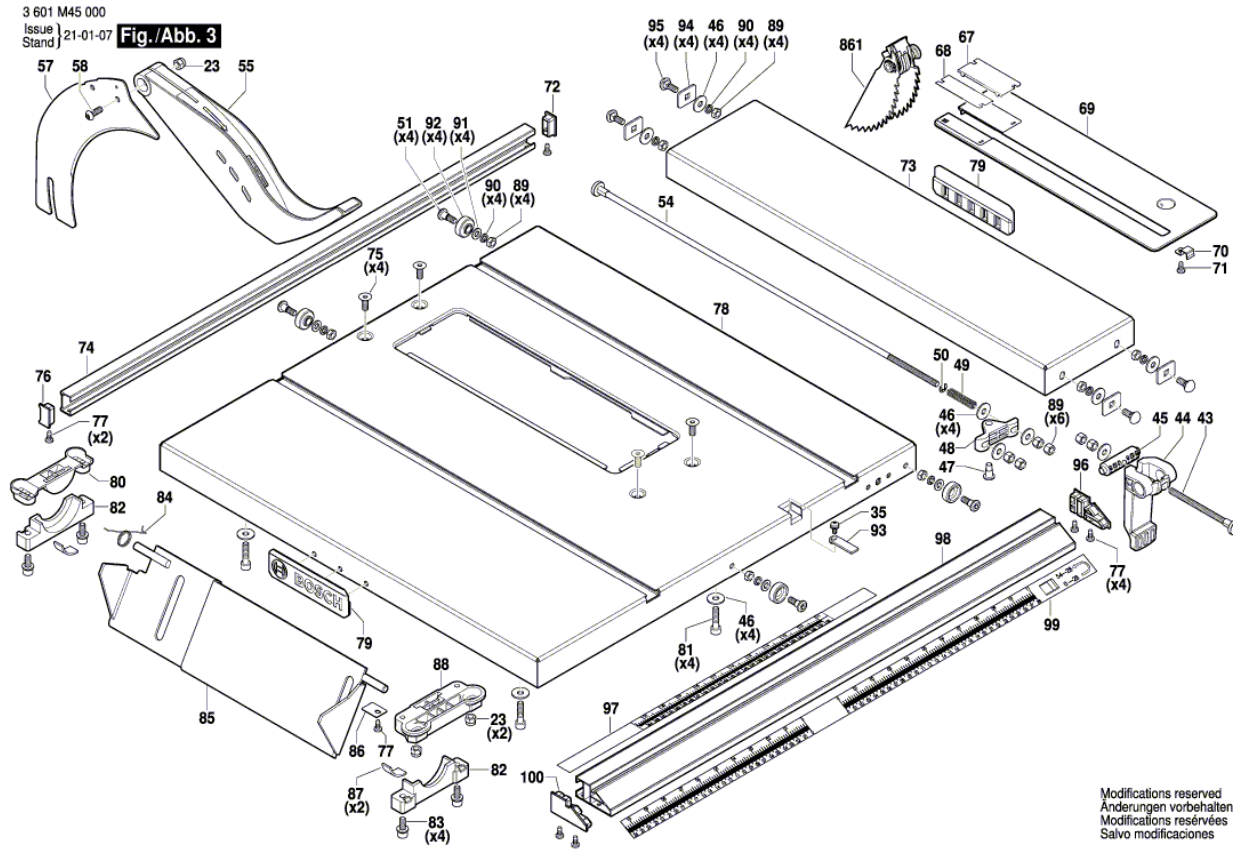


Illustration - Type - E

3 601 M45 000
 Issue | 21-01-07
 Stand | **Fig./Abb. 4**

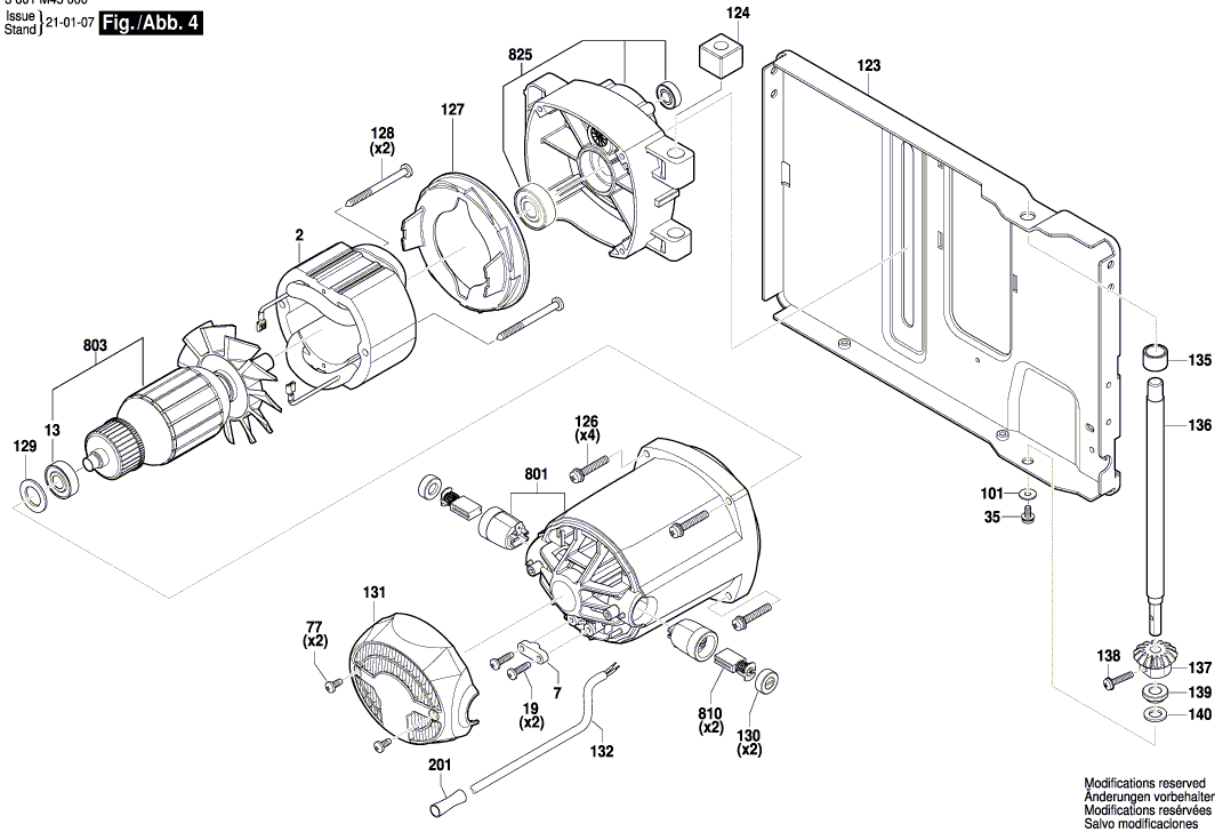
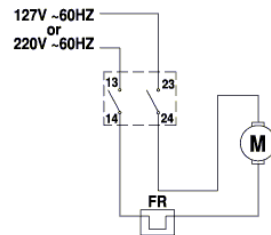
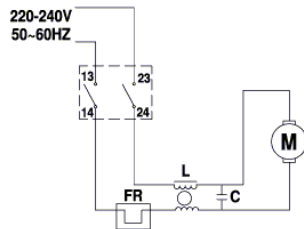
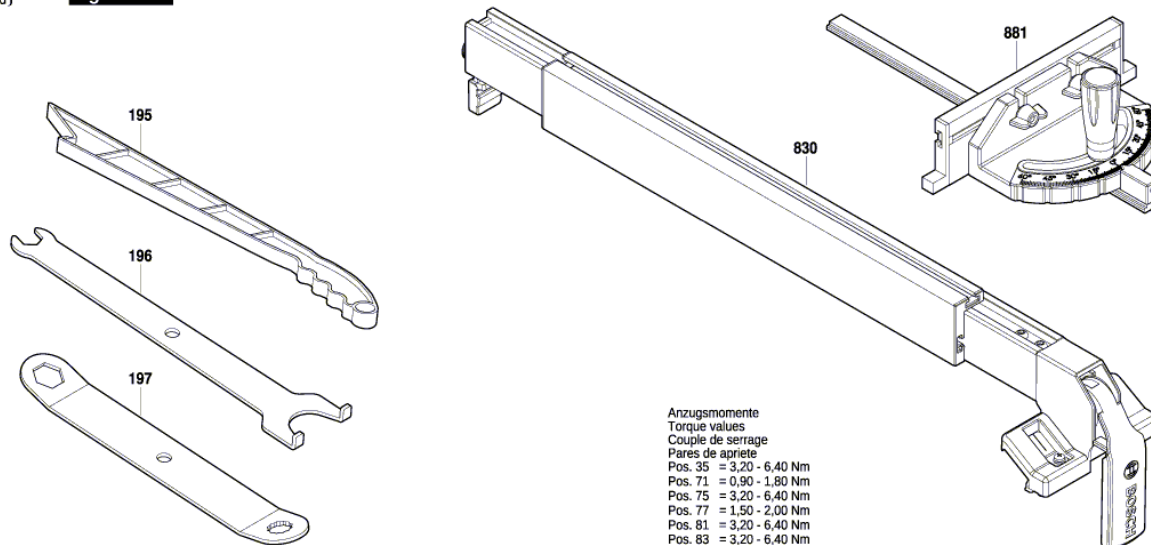


Illustration - Type - E

3 601 M45 000
Issue | 21-01-07
Stand | **Fig./Abb. 6**

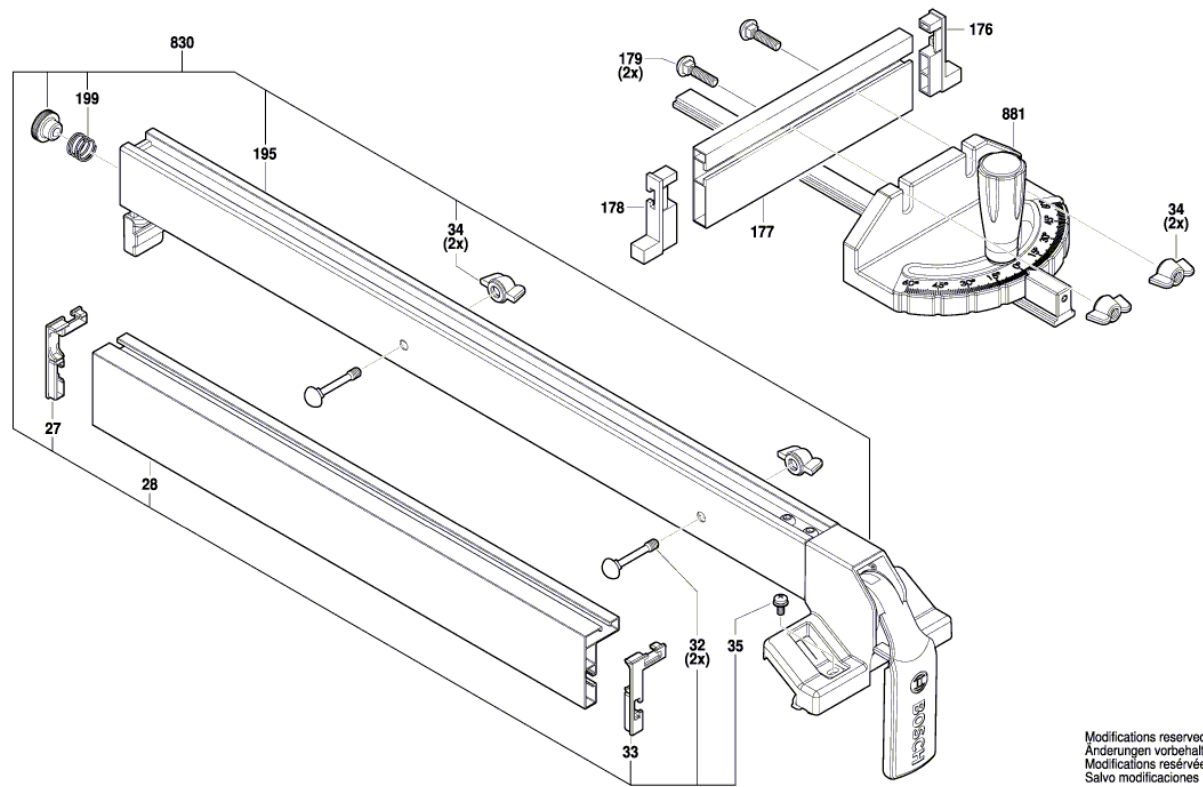


- Anzugsmomente
Torque values
Couple de serrage
Pares de apriete
- Pos. 35 = 3,20 - 6,40 Nm
 - Pos. 71 = 0,90 - 1,80 Nm
 - Pos. 75 = 3,20 - 6,40 Nm
 - Pos. 77 = 1,50 - 2,00 Nm
 - Pos. 81 = 3,20 - 6,40 Nm
 - Pos. 83 = 3,20 - 6,40 Nm
 - Pos. 89 = 3,20 - 6,40 Nm
 - Pos. 103 = 7,50 - 15,0 Nm
 - Pos. 109 = 0,90 - 1,80 Nm
 - Pos. 119 = 3,20 - 6,40 Nm
 - Pos. 126 = 1,80 - 3,60 Nm
 - Pos. 128 = 1,50 - 2,00 Nm
 - Pos. 134 = 1,80 - 3,60 Nm
 - Pos. 138 = 0,90 - 1,80 Nm
 - Pos. 146 = 1,50 - 2,00 Nm
 - Pos. 154 = 1,80 - 3,60 Nm
 - Pos. 156 = 3,20 - 6,40 Nm
 - Pos. 157 = 1,80 - 3,60 Nm
 - Pos. 160 = 1,80 - 3,60 Nm
 - Pos. 165 = 1,80 - 3,60 Nm
 - Pos. 170 = 1,80 - 3,60 Nm
 - Pos. 175 = 3,20 - 6,40 Nm

Modifications reserved
Änderungen vorbehalten
Modifications réservées
Salvo modificaciones

Illustration - Type - E

3 601 M45 000
 Issue | 21-01-15
 Stand | **Fig./Abb. 7**



Modifications reserved
 Änderungen vorbehalten
 Modifications réservées
 Salvo modificaciones