



BOSCH

Angle Screwdriver

GW1 10,8 V-LI | 3 601 C60 U80

Table of Content

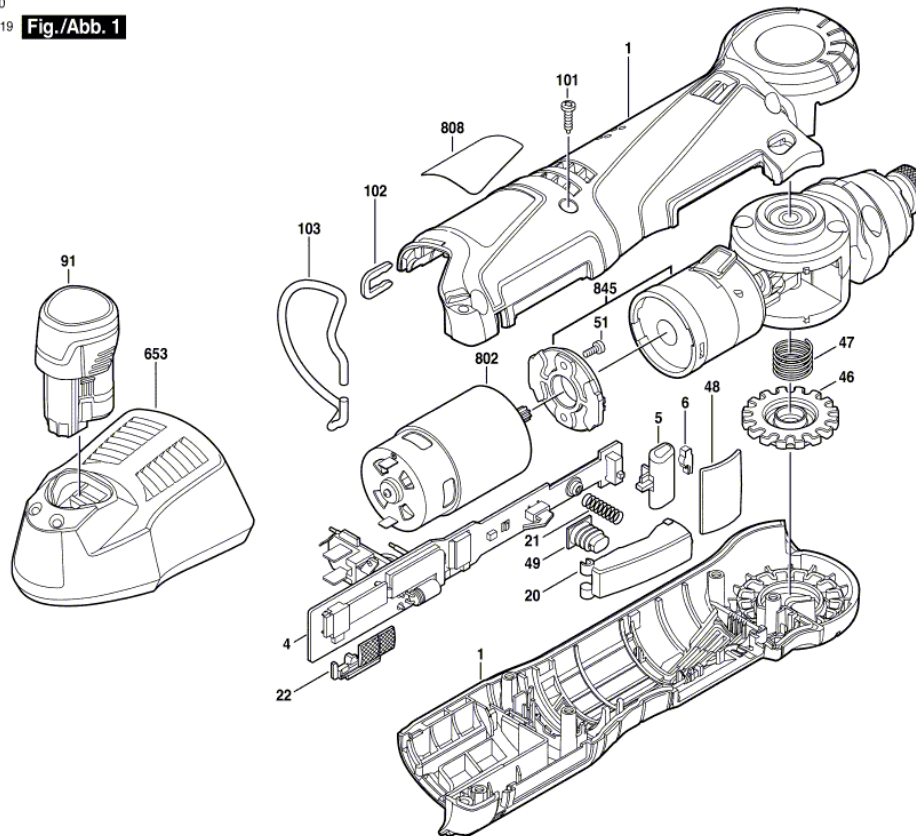
Spare parts list.....	2
Illustration - Type.....	3

Spare parts list

Item	Part Number	Description	
1	2 609 199 130	Housing Set	
4	2 609 120 228	Printed Circuit Board	
5	2 609 100 456	Changeover Lever	
6	2 609 110 536	Spring Clip	
20	2 609 100 455	Switch Handle	
21	2 609 110 535	Spring	
22	2 609 100 458	Clutch Lever	
46	2 609 100 454	Coupling Plate	
47	2 609 110 534	Spring	
48	2 609 100 457	Cover	
49	2 609 170 058	Cover	
51	2 609 110 560	Screw	
91	1 607 A35 0C5	Battery Pack	GBA 12V 2.0Ah Li SCM
101	2 609 110 538	Screw	
102	2 609 110 537	Clip	
103	2 609 110 539	Hook	
653	2 607 225 303	Fast Charger	CN 220/10,8V, 30 MIN.
802	2 609 199 131	Motor	
808	2 601 131 625	Nameplate	
845	2 609 199 142	Gear Box	

Illustration - Type - E

3 601 C60 U00
Issue | 09-08-19
Stand | **Fig./Abb. 1**



Änderungen vorbehalten
Modifications reserved
Modifications réservées
Salvo modificaciones